

PHILCO Model 630

SERVICE BULLETIN
No. 219B



For Members of
RADIO MANUFACTURERS SERVICE
A PHILCO SERVICE PLAN

Later 1935 Production Runs

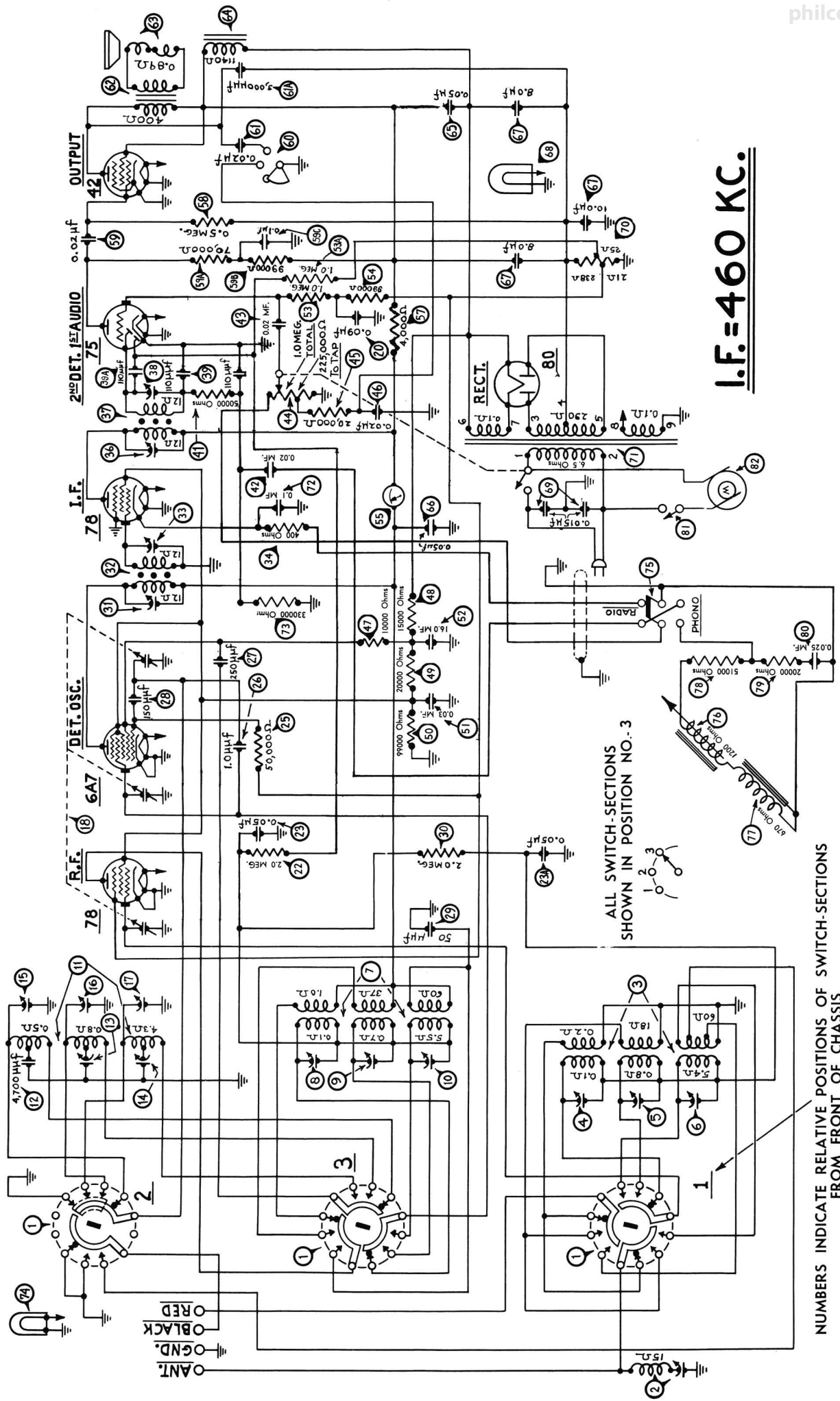
This sheet supplements the regular bulletin No. 219 on the Philco 630 and also covers the Philco Radio-Phonograph 630PF. All circuit and part number changes up to date have been included.

Beginning with run No. 5 the grid bias arrangement for the 78 R.F. and 6A7 1st detector was changed. A fixed bias from the B.C. resistor is fed through the AVC circuit to the grids of these tubes.

PARTS LIST

Description		Part No.	List Price	Description		Part No.	List Price
①	Wave Band Switch	42-1152	\$1.75	Ⓢ	Resistor (1 Meg.) (Brown, Black, Green)	33-1096	\$0.20
②	Wavetrap	38-6850	1.10	Ⓢa	Resistor (1. Meg.) (Brown, Black, Green)	33-1096	.20
③	Antenna Transformer	32-1699	3.00	Ⓢb	Resistor (99000 ohms) (White, White, Orange)	6099	.20
④	Compensating Condenser (Ant. S.W.)	Part of ③	Ⓢc	Shadow Tuning Meter	45-2086	2.00
⑤	Compensating Condenser (Ant. Police)	Part of ④	Ⓢd	Condenser (.05 Mf. Twin Bakelite)	3615-DG	.40
⑥	Compensating Condenser (Ant. Standard)	Part of ⑤	Ⓢe	Resistor (4000 ohms) (Yellow, Black, Red)	33-1031	.20
⑦	R. F. Transformer	32-1636	3.25	Ⓢf	Resistor (490,000 ohms) (Yellow, White, Yellow)	33-1097	.20
⑧	Compensating Condenser (R.F. Short-Wave)	Part of ⑦	Ⓢg	Condenser (.02 Mfd. Bakelite)	8318-SU	.30
⑨	Compensating Condenser (R.F. Police)	Part of ⑦	Ⓢh	Resistor (70000 ohms) (Violet, Black, Orange)	5385	.20
⑩	Compensating Condenser (R.F. Standard)	Part of ⑦	Ⓢi	Resistor (99000 ohms) (White, White, Orange)	6099	.20
⑪	Oscillator Transformer	32-1637	2.50	Ⓢj	Condenser (.09 Mf. Bakelite)	4989-SG	.35
⑫	Condenser (.0047 Mfd. Mica)	30-1052	.60	Ⓢk	Tone Control (3 position)	30-4332	.75
⑬	Compensating Condenser (Osc. Police)	Part of ⑪	Ⓢl	Condenser in Tone Control	Part of Ⓢk
⑭	Compensating Condenser (Osc. H.F. Standard)	Part of ⑪	Ⓢm	Condenser (.003 Mfd. Tubular)	30-4042	.25
⑮	Compensating Condenser (Osc. S.W.)	Part of ⑪	Ⓢn	Output Transformer	32-7178	1.60
⑯	Compensating Condenser (Osc. L.F. Police)	Part of ⑪	Ⓢo	Voice Coil & Cone Assembly (K-32)	36-3159	.80
⑰	Compensating Condenser (Osc. L.F. Standard)	Part of ⑪	.70	Ⓢp	Field Coil & Pot Assembly (K-32)	36-3498	3.25
⑱	Tuning Condenser Assembly	31-1741	Ⓢq	Condenser (.05 Mfd. Tubular)	30-4020	.35
⑲a	Condenser (.09 Mfd. Twin Bakelite Block)	4989-DG	.40	Ⓢr	Condenser (.05 Mfd.)	Part of Ⓢq
⑲b	Resistor (1 Meg.) (Brown, Black, Green)	33-1096	.20	Ⓢs	Condenser (8 Mfd., 8 Mfd., 10 Mfd. Electrolytic)	30-2073	2.15
⑲c	Condenser (.05 Mfd. Tubular)	30-4020	.35	Ⓢt	Pilot Lamp (Shadow Tuning Meter)	Part of Ⓢq
⑲d	Condenser (.05 Mfd. Tubular)	30-4020	.35	Ⓢu	Condenser (.015 Mfd. Twin Bakelite Block)	3793-DG	.40
⑲e	Resistor (50000 ohms) (Green, Brown, Orange)	6098	.20	Ⓢv	Resistor (BC Wirewound—22 ohms, 25 ohms, 210 ohms)	33-3222	.20
⑲f	Condenser (1 Mmfd.)	Part of ⑱	Ⓢw	Power Transformer (115 Volts 60 Cycles)	32-7384	5.50
⑲g	Condenser (.00025 Mfd. Mica)	30-1032	.35		(115 Volts 25 Cycles)	32-7385	7.75
⑲h	Condenser (.00015 Mfd. Mica)	30-1033	.35		(230 Volts 50 Cycles)	33-7386	5.75
⑲i	Condenser (.00005 Mfd. Mica)	30-1029	.35	Ⓢx	Condenser (.05 Mf.)	Part of Ⓢu
⑲j	Resistor (51000 ohms) (Green, Brown, Orange)	6098	.20	Ⓢy	Resistor (330,000 ohms) (Orange, Orange, Yellow)	33-1200	.20
⑲k	Compensating Condenser (1st I.F. Primary)	Part of ⑲	Ⓢz	Pilot Lamp	34-2039	.09
⑲l	1st I.F. Transformer	32-1646	2.25	Ⓣ	Phono Switch Cable Assy.	35-3014	1.30
⑲m	Compensating Condenser (1st I.F. Secondary)	Part of ⑲	Ⓤ	Pickup Head Assy.	35-2014	7.25
⑲n	Resistor (400 ohms Flexible) (Yellow, Black, Brown)	33-3016	.20	Ⓥ	Hum Bucking Coil Assy.	32-1940	1.10
⑲o	Compensating Condenser (2nd I.F. Pri.)	Part of ⑲	Ⓦ	Resistor (51,000 ohms)	6098	.20
⑲p	2nd I.F. Transformer	32-1647	2.25	Ⓧ	Resistor (20,000 ohms)	33-1178	.20
⑲q	Compensating Condenser (2nd I.F. Sec.)	Part of ⑲	Ⓨ	Condenser (.025 Mf.)	7653-SU	.35
⑲r	Condenser (.00011 Mfd.) (Twin Bakelite)	8035-DG	.35	Ⓩ	Automatic Stop	6345	3.15
⑲s	Condenser (.00011 Mfd. Mica)	30-1031	.35	Ⓨ	Phono. Motor (115 V. 60 Cycle)	35-1112	20.00
⑲t	Condenser (.00011)	Part of ⑲		Dial Scale	27-5098	.25
⑲u	Resistor (50000 ohms) (Green, Brown, Orange)	6098	.20		Dial Hub & Set Screw	31-1550	.15
⑲v	Condenser (.02 Mfd. Tubular)	30-4215	.30		Dial Front Spring	28-2837	.10
⑲w	Condenser (.02 Mfd. Tubular)	30-4215	.30		Knob (Station Selector)	27-4206	.12
⑲x	Volume Control and On-Off Switch	33-5105	1.45		Knob (Fine Tuning)	27-4207	.10
⑲y	Resistor (20000 ohms) (Red, Black, Orange)	33-1178	.20		Knob (Waveband)	27-4219	.10
⑲z	Condenser (.02 Mfd. Tubular)	30-4215	.30		Knob (Volume Control, Tone Control)	27-4208	.10
Ⓚ	Resistor (10000 ohms) (Brown, Black, Orange)	4412	.20		Tube Shield	28-2726	.10
Ⓚ	Resistor (15000 ohms) (Brown, Black, Orange)	5718	.35		Tube Shield Base	28-2725	.03
Ⓚ	Resistor (20000 ohms) (Red, Black, Orange)	3524	.20		Tube Socket (4-Prong)	27-6034	.10
Ⓚ	Resistor (20000 ohms) (Red, Black, Orange)	6649	.20		Tube Socket (6-Prong)	27-6036	.11
Ⓚ	Condenser (.15 Mfd. Tubular)	30-4191	.40		Tube Socket (7-Prong)	27-6037	.11
Ⓚ	Condenser (16 Mfd. Electrolytic)	30-2118	1.65		Speaker Plug Socket	27-6033	.08
					Chassis Mfg. Screw	W-1495	1.50per C.
					Chassis Mtg. Washer (Rubber)	27-4198	.01
					Electric Cord & Plug	L-943-A	.60

PRICES SUBJECT TO CHANGE WITHOUT NOTICE



I.F. = 460 KC.

ALL SWITCH-SECTIONS SHOWN IN POSITION NO. 3

NUMBERS INDICATE RELATIVE POSITIONS OF SWITCH-SECTIONS FROM FRONT OF CHASSIS.

ANT. GND. BLACK RED