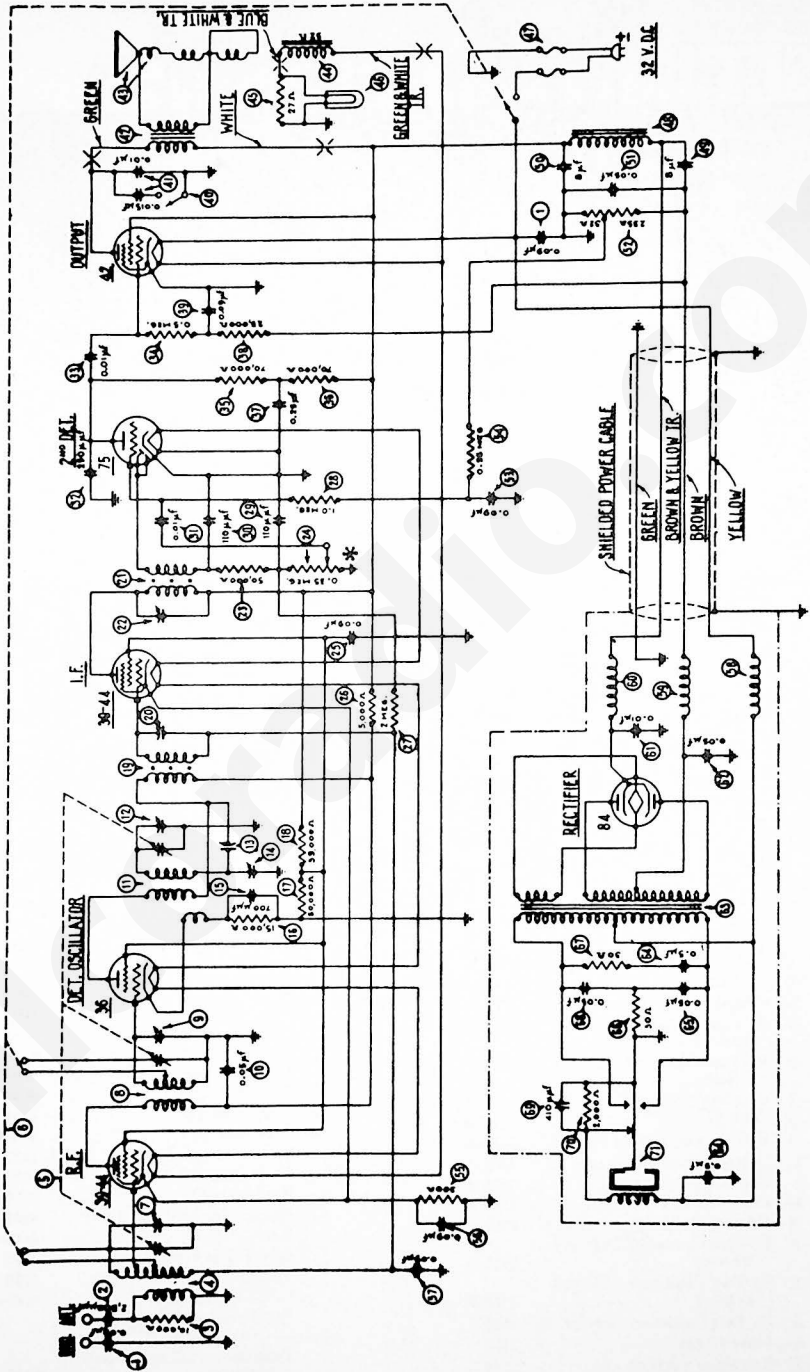
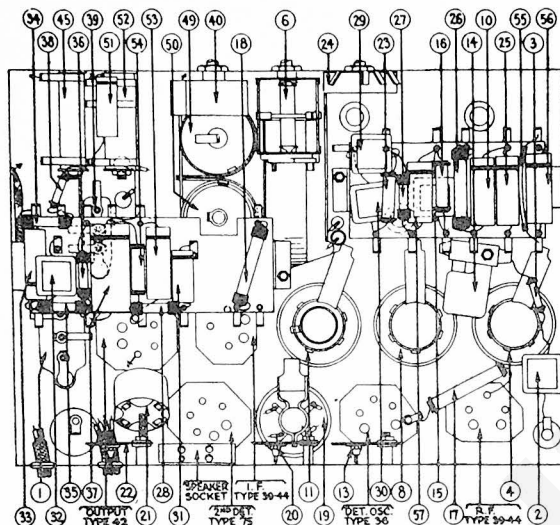


MODEL 32
(32 Volts — D.C.)

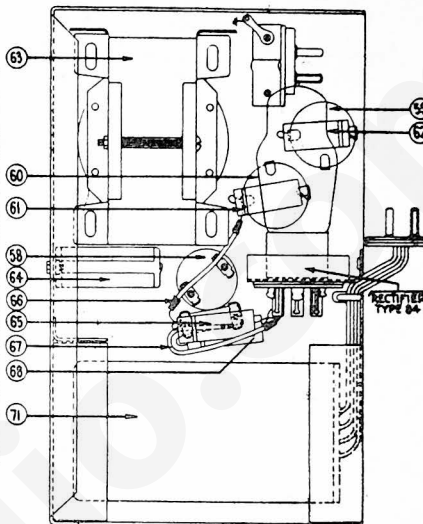


* MUST BE GROUNDED AT 75 CATHODE

MODEL 32



Bottom View of Chassis



Bottom of Vibrator and Rectifier Unit

REPLACEMENT PARTS FOR MODEL 32

	Description	Part No.		Description	Part No.
1	Condenser (.09 mfd.—.09 mfd.)	4989-G	56	Resistor (70,000 ohms) (Violet-Black-Orange)	5385
2	Condenser (.0025 mfd.) (mica)	7006	57	Condenser (.25 mfd. tubular)	30-4134
3	Resistor (10,000 ohms—Brown-Black-Orange)	33-1000	58	Resistor (25,000 ohms) (Red-Green-Orange)	33-1013
4	Antenna Transformer	32-1062	59	Condenser (.09 mfd.) (Bakelite block type)	4989-AL
5	Tuning Condenser Assembly	31-1050	60	Tone Control	06764
6	Wave-band & On-off Switch	42-1017	61	Condensers	Part of 61
7	Compensating Condenser (ant.)	Part of 6	62	Output Transformer (For K-26 spkr.)	32-7042
8	Detector Transformer	32-1063	63	Voice Coil and Cone (For K-26 spkr.)	36-3174
9	Compensating Condenser (det.)	Part of 6	64	Field Coil and Pot Assembly (K-26)	36-3306
10	Condenser (.05 mfd. tubular)	30-4123	65	Resistor (Pilot light) (27 ohms)	33-3132
11	Oscillator Transformer	06620	66	Pilot Lamp	4567
12	Compensating Condenser (osc. H. F.)	Part of 6	67	Line Fuses (Located in line plug) (3 amp.)	45-3046
13	Compensating Condenser (1st I. F. pri.)	04000-M	68	Filter Choke	32-7213
14	Compensating Condenser (osc. L. F.)	04000-S	69	Condenser (Electrolytic—8 mfd. wet)	30-3096
15	Condenser (.0007 mfd.—mica)	5863	70	Condenser (Electrolytic—8 mfd. dry)	30-3014
16	Resistor (15,000 ohms) (Brown-Green-Orange)	6906	71	Condenser (.05 mfd. tubular)	30-4090
17	Resistor (50,000 ohms) (Green-Brown-Orange)	4518	72	B. C. Resistor (235—32 ohms)	7998
18	Resistor (30,000 ohms) (Orange-White-Orange)	33-1027	73	Condenser (.09 mfd. tubular)	30-4122
19	First I. F. Transformer	32-1260	74	Resistor (.25 meg.) (Red-Yellow-Yellow)	4410
20	Compensating Condenser (1st I. F. secondary)	04000-M	75	Resistor (Flexible—300 ohms)	33-3010
21	Second I. F. Transformer	06622	76	Condenser (.09 mfd. tubular)	30-4122
22	Compensating Condenser (2d I. F. primary)	04000-A	77	Condenser (.09 mfd. tubular)	30-4122
23	Resistor (50,000 ohms) (Green-Brown-Orange)	4518		Speaker Plug Socket	4957
24	Volume Control (350,000 ohms)	33-5065		Line Plug Assembly with Cord (Less fuses)	L-1798
25	Condenser (.09 mfd. tubular)	30-4122	VIBRATOR AND RECTIFIER UNIT		
26	Resistor (5,000 ohms) (Green-Black-Red)	3596	78	R. F. Choke (Low voltage)	32-1375
27	Resistor (2 meg. Red-Black-Green)	5672	79	R. F. Choke (High voltage)	32-1348
28	Resistor (1 meg. Brown-Black-Green)	4409	80	R. F. Choke (High voltage)	32-1348
29	Condenser (.00011 mfd.—mica)	30-1006	81	Condenser (.01 mfd. tubular)	30-4145
30	Condenser (.00011 mfd.—mica)	30-1006	82	Condenser (.05 mfd. tubular)	30-4090
31	Condenser (.01 mfd. tubular)	30-4134	83	Power Transformer	32-7216
32	Condenser (.00025 mfd.—mica)	3062	84	Condenser (.5 mfd.—5 mfd.—metal case)	30-4155
33	Condenser (.01 mfd. tubular)	30-4145	85	Condenser (.05 mfd. tubular)	30-4090
34	Resistor (.5 meg.) (Yellow-White-Yellow)	4517	86	Resistor (30 ohms flexible wire wound)	33-3119
35	Resistor (70,000 ohms) (Violet-Black-Orange)	5385	87	Resistor (30 ohms flexible wire wound)	33-3119
			88	Condenser (.05 mfd. tubular)	30-4090
			89	Condenser (.00041 mfd.—mica)	Inside 71
			90	Resistor (2,000 ohms)	Inside 71
			91	Vibrator Unit	32-5640