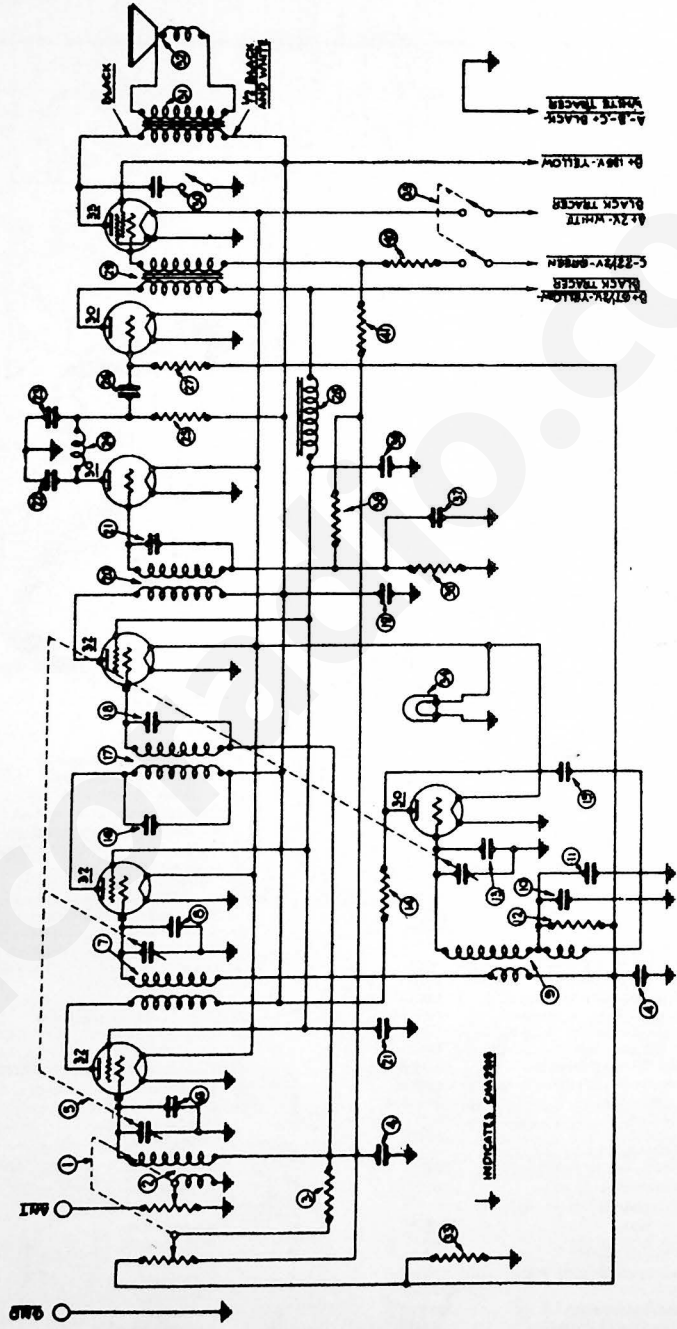
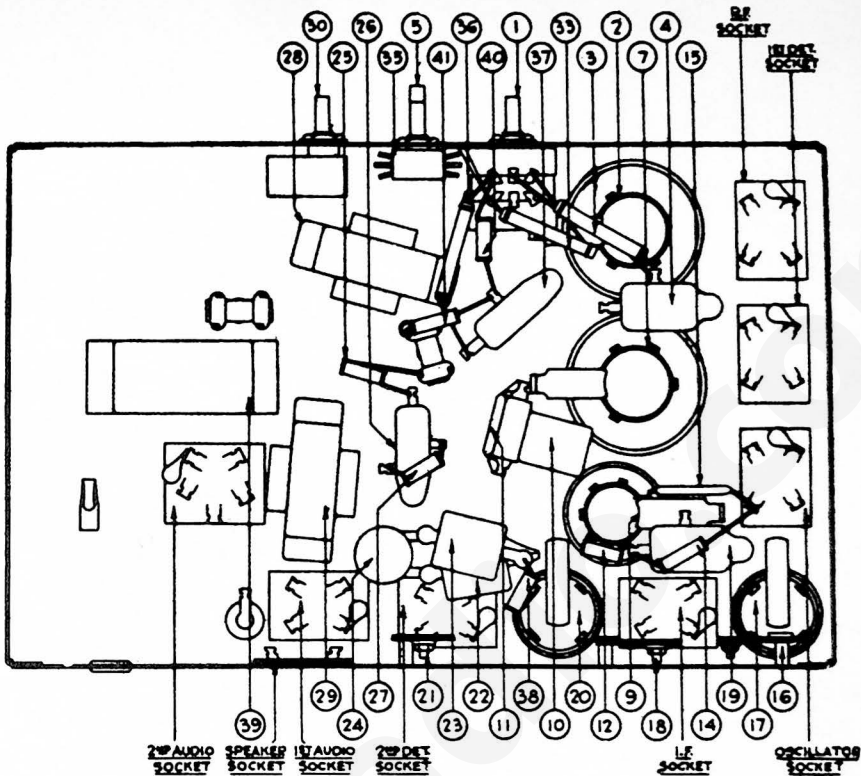


MODEL 35—36
(Battery Operated)



MODELS 35 & 36 —



REPLACEMENT PARTS LIST

	Part No.		Part No.
① Volume Control	5317	Ⓢ Detector R. F. Choke	08086
② Antenna Coil	03330	Ⓣ Resistor (240,000 Ohms)	4410
③ Resistor (240,000 Ohms)	3708	Ⓤ Condenser (.01 mfd.)	3003-J
④ By-pass Condenser (.00 mfd.)	4090-B	ⓖ Resistor (490,000 Ohms)	4517
⑤ Tuning Condenser	08076	ⓗ Choke	5314
⑥ Compensating Condenser (part of tuning condenser assembly)		Ⓢ Input Transformer	5315
⑦ First Detector Transformer	03083	Ⓣ Tone Control	08140
⑧ Compensating Condenser (part of tuning condenser assembly)		Ⓤ Output Transformer	2646
⑨ Oscillator Coil	03331	ⓖ Voice Coil and Cone	03040
ⓐ Compensating Condenser, Assembled	03340	Ⓢ Resistor (3000 Ohms)	5309
ⓑ Condenser (410 mmf.)		Ⓣ Pilot Lamp	5316
ⓐ Resistor (51,000 Ohms)	4518	Ⓤ Switch	5318
ⓑ Compensating Condenser (part of tuning condenser assembly)		ⓖ Resistor (32,000 Ohms)	3525
ⓐ Resistor (51,000 Ohms)	4518	Ⓢ Condenser (.09 mfd.)	4090-F
ⓑ Condenser (110 mmf.)	4519	Ⓣ Resistor (99,000 Ohms)	4411
ⓐ Compensating Condenser, Assembled	08411	Ⓤ Condenser (2 mfd.)	08298
ⓑ First I. F. Transformer	08009	ⓖ Resistor (5,000 Ohms)	5310
ⓐ Compensating Condenser, Assembled	03411	Ⓢ Resistor (10,000 Ohms)	4412
ⓑ Condenser (.09 mfd.)	4090-B	Knob (Large)	03063
ⓐ Second I. F. Transformer	03002	Knob (Small)	03064
ⓑ Compensating Condenser, Assembled	08411	Spring (For Switch Knobs)	4147
ⓐ Condenser (.002 mfd.)	4050	Spring (For Dial Knobs)	5822
ⓑ Condenser (.002 mfd.)	4050	Tube Shield	03308
		Grid Clip	4687
		Grommet (R. F. Transformer Shield)	3747
		Four Prong Socket Assembly	4055
		Five Prong Socket Assembly	4056
		Volume Control Insulator	4092
		Volume Control Insulator	4286
		Dial Assembly Complete	08031
		Base	8009
		Pilot Bracket Complete	08011
		Light Shield Screen	4637