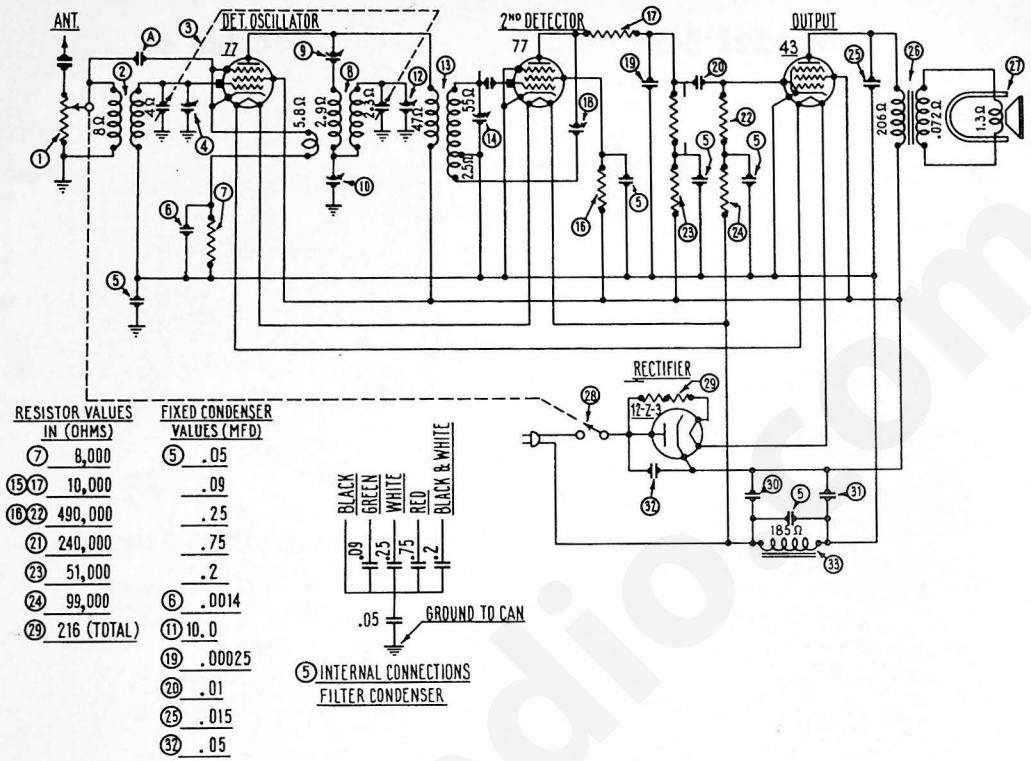
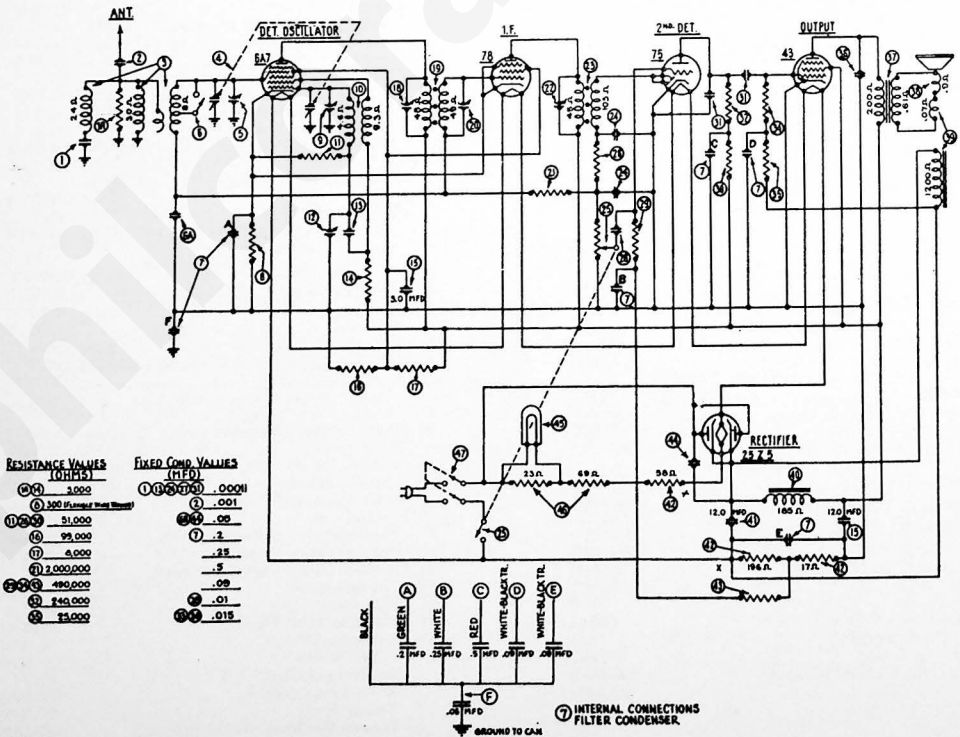


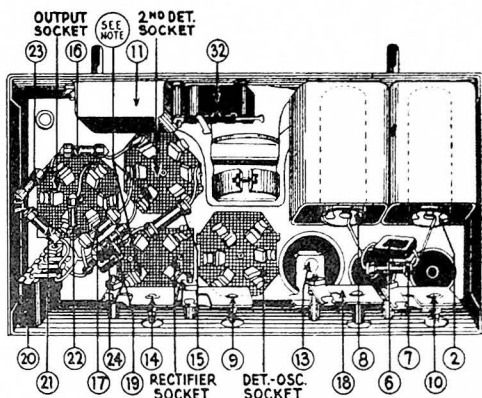
MODEL 53



MODEL 54

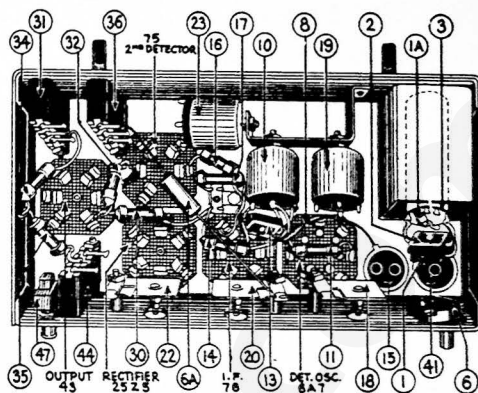


Model 53



Model 54

(A. C. — D. C.)



Replacement Parts for Model 53

No. on Figs. 2, 3 and 4	Description	Part No.
1	Volume Control	33-5001
2	Antenna Transformer	32-1000
3	Tuning Condenser Assembly	31-1000
4	Compensating Condenser (Part of Tuning Condenser Assembly)	
5	Filter Condenser Block (.05-.09-.25-.75-.2 Mfd.)	30-4000
6	Condenser (.0014 Mfd.)	7007
7	Resistor (8,000 ohms) Gray-Black-Red	5838
8	Oscillator Transformer	32-1001
9	Compensating Condenser (I.F. Primary)	04000-A
10	Compensating Cond. (Low Frequency)	04000-S
11	Condenser (10.0 Mfd.)	7440
12	Compensating Condenser (Part of Tuning Condenser Assembly)	
13	I.F. Transformer	32-1002
14	Compensating Cond. (I.F. Secondary)	04000-A
15	Resistor (10,000 ohms) Brown-Black-Orange	4412
16	Resistor (490,000 ohms) Yellow-White-Yellow	4517
17	Resistor (10,000 ohms) Brown-Black-Orange	4412
18	Compensating Condenser (Regeneration)	04000
19	Condenser (.00025 Mfd.)	3082
20	Condenser (.01 Mfd.)	3903-AM
21	Resistor (240,000 ohms) Red-Yellow-Yellow	4410
22	Resistor (490,000 ohms) Yellow-White-Yellow	4517
23	Resistor (51,000 ohms) Green-Brown-Orange	4518
24	Resistor (99,000 ohms) White-White-Orange	4411
25	Condenser (.016 Mfd.)	3793-S
26	Output Transformer	32-7000
27	Voice Coil and Cone Assembly	36-3000
28	A. C. Switch (Part of Volume Control Assembly)	33-5001
29	Resistors (2 Wire Wound-108 ohms each)	33-3000
30	Electrolytic Condenser (8 Mfd.)	30-2000
31	Electrolytic Condenser (8 Mfd.)	30-2000
32	Condenser (.05 Mfd.)	3615-E
33	Filter Choke	32-7001
34	Tube Shield	7172
35	Knobs (Both Controls)	03064
36	Four Prong Socket	7544
37	Six Prong Socket	7547
38	Point for Station Selector	28-1019
39	Dial	28-1021

Replacement Parts for Model 54

No. on Figs.	Description	Part No.
1	Condenser	30-1005
1a	Resistor (Green-Black-Red)	6096
2	Condenser	5215
3	Antenna Transformer Assembly	32-1117
4	Tuning Condenser Assembly	31-1027
5	Compensating Condenser (Part of 4)	
6	Wave Band Switch	42-1027
6a	Condenser	30-4020
7	Filter Condenser (Block)	30-4023
8	Resistor (Flexible)	33-3010
9	Compensating Condenser (High Frequency 1400 Part of 4)	
10	Oscillator Coil	32-1118
11	Resistor (Green-Brown-Orange)	4518
12	Compensating Condenser (Low Freq.)	04000-B
13	Condenser	4519
14	Resistor (Green-Black-Red)	5310
15	Electrolytic Condenser (Double)	30-2002
16	Resistor (White-White-Orange)	4411
17	Resistor (Gray-Black-Red)	5838
18	Compensating Cond. (1st I. F. Primary)	04000-A
19	1st I. F. Transformer	32-1115
20	Compensating Condenser (1st I. F. Secondary)	04000-A
21	Resistor (Red-Black-Green)	5872
22	Compensating Cond. (2nd I. F. Primary)	04000-A
23	2nd I. F. Transformer	32-1116
24	Condenser (Double)	8035-G
25	Volume Control and "On-Off" Switch	33-5010
26	Resistor (Green-Brown-Orange)	4518
27	Condenser	3903-AM
28	Resistor (Yellow-White-Yellow)	6097
29	Resistor (Green-Brown-Orange)	4518
30	Condenser (Double)	8035-F
31	Resistor (Red-Yellow-Yellow)	4410
32	Resistor (Yellow-White-Yellow)	4517
33	Resistor (Red-Green-Orange)	4516
34	Condenser	3793-Y
35	Output Transformer	32-7020
36	Voice Coil and Cone Assembly	36-3029
37	Field Coil and Pot Assembly	36-3040
38	Filter Choke	32-7036
39	Electrolytic Condenser	30-2001
40	Resistor (Wire Wound)	33-3012
41	Resistor (Yellow-White-Yellow)	6097
42	Condenser	3615-B
43	Pilot Lamp	4567
44	Resistor (Wire Wound)	33-3011
45	Safety Switch	42-1026
46	Tube Shield	28-1130
47	Six Prong Socket	7547
	Seven Prong Socket	27-6005
	Tuning Scale	27-5008
	Volume Control Scale	27-5010