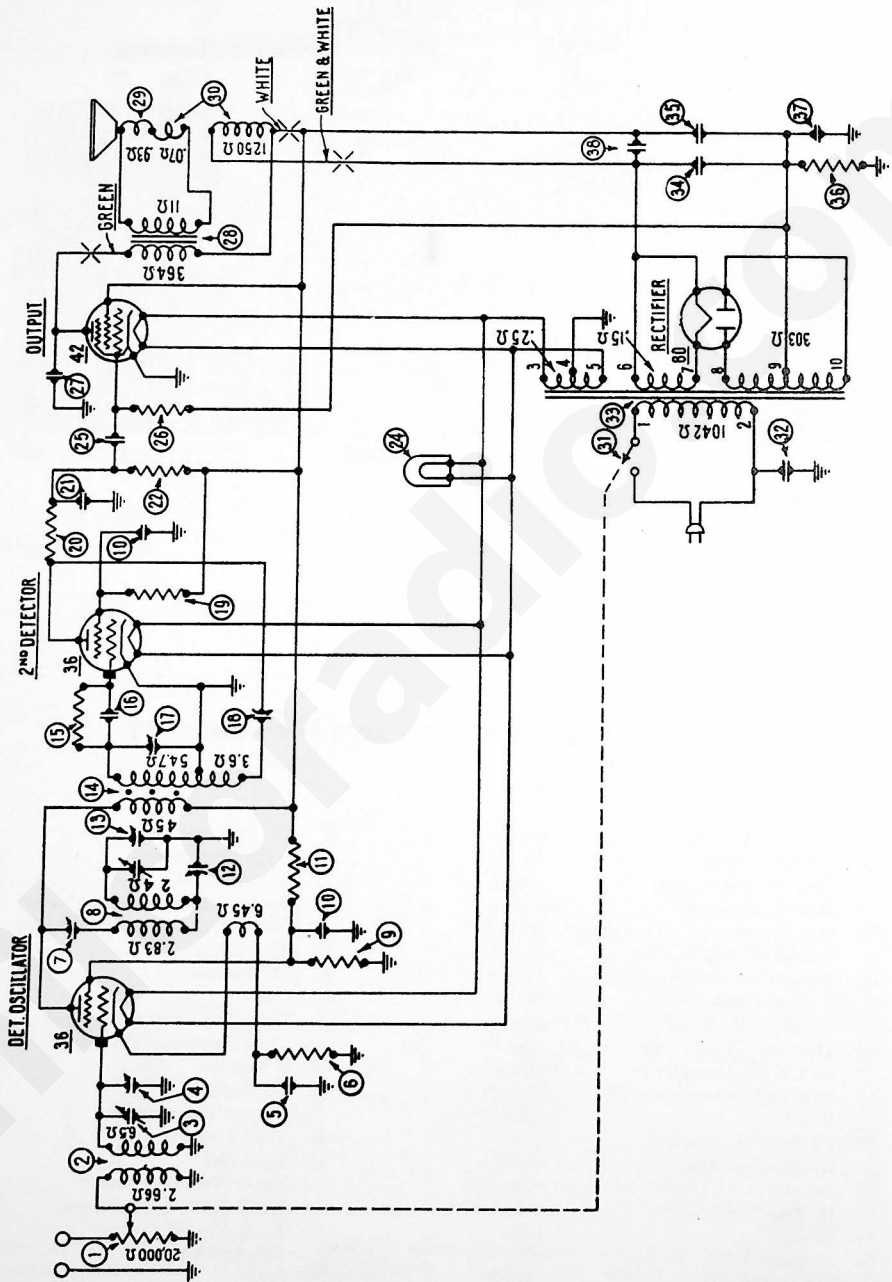
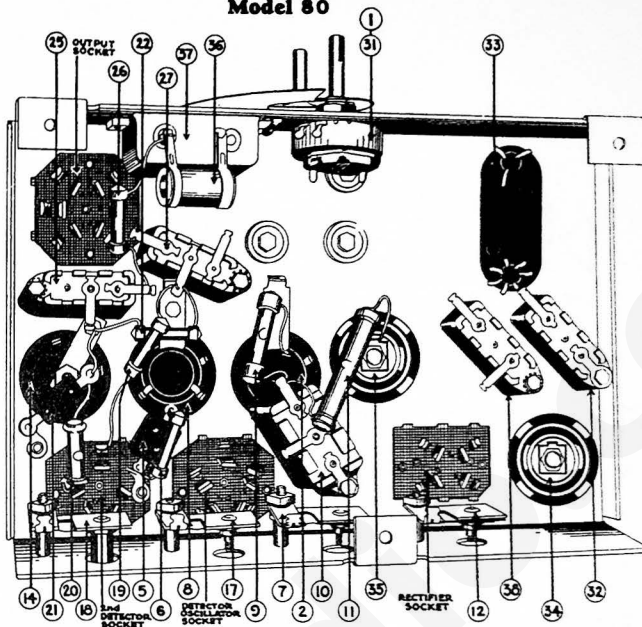


Model 80



Model 80



REPLACEMENT PARTS MODEL 80

No. on Figs. 2 and 3	Description	Part No.
①	Volume Control—Combined with On-Off Switch	7439
②	Antenna Transformer	05831
③	Tuning Condenser Assembly	05794
④	Compensating Condenser — Antenna — Part of Tuning Con. Assembly	
⑤	Condenser (710 Mmf.) White and Yellow	4520
⑥	Resistor (10,000 Ohms)	4412
⑦	Compensating Condenser—I.F. Primary	04000-A
⑧	Oscillator Coil	05832
⑨	Resistor (9,000 Ohms)	7501
⑩	Condenser (.09 Twin)	4989-B
⑪	Resistor (16,000 Ohms)	7500
⑫	Compensating Condenser — Low Frequency	04000-S
⑬	Compensating Condenser — High Frequency — Part of Tuning Con. Assembly	
⑭	I.F. Transformer	05834
⑮	Resistor (4,000,000 Ohms) Mounted on I.F. Transformer	6010
⑯	Condenser (50 Mmf.) White—Mounted on I.F. Transformer	3774
⑰	Compensating Condenser—I.F. Secondary	04000-D
⑱	Compensating Condenser	04000
⑲	Resistor (1,000,000 Ohms)	4409*
⑳	Resistor (10,000 Ohms)	4412
㉑	Condenser (1,000 Mmf.) Green and White	5215
㉒	Resistor (240,000 Ohms)	4410
㉓	Pilot Light	6608

No. on Figs. 2 and 3	Description	Part No.
㉔	Condenser (.015 Mfd.)	3793-B
㉕	Resistor (490,000 Ohms)	4517*
㉖	Condenser (.006 Mfd.)	7625-B*
㉗	Output Transformer	2860
㉘	Voice Coil and Cone Assembly	02881
㉙	Speaker Field and Bucking Coil Assembled with Pot	02677*
㉚	On-Off Switch—Combined with Volume Control	7439
㉛	Condenser (.01 Mfd.)	3903-AH*
㉜	Power Transformer 50-60 Cycles	7421
㉝	Power Transformer 25-40 Cycles	7422
㉞	Power Transformer 50-60 Cycles, 230 Volts	7423
㉟	Electrolytic Condenser (8.0 Mfd.)	6707
㊱	Electrolytic Condenser (4.0 Mfd.)	7467
㊲	Resistor (325 Ohms) Wire Wound	7465*
㊳	Electrolytic Condenser—Dry—(10 Mfd.)	7440*
㊴	Condenser (.01 Mfd.)	3903-AJ*
㊵	Bezel	7417
㊶	Dial Complete	05828
㊷	Tube Shield	7172
㊸	Knob (Large)	03063
㊹	Knob (Small)	03064
㊺	Knob Spring	5282
㊻	Grid Clip	4897
㊼	Four Prong Socket Assembly	5026
㊽	Five Prong Socket Assembly	4956
㊾	Six Prong Socket Assembly	6417
㊿	Chassis Mounting Screw	W-567
1	Chassis Mounting Washer	W-315
2	Rubber Washer	5189
3	Pilot Lamp Shield	5760

* A number of circuit changes were made on chassis of run No. 5 and above. This run number is rubber stamped in a star on the back of the chassis. Referring to Figs. 2 and 3, the condenser ㉗ connects to the B- end of resistor ㉕ instead of to ground. The bucking coil - that section of ㉙ in series with the voice coil - is shorted out. The 10 mfd. dry electrolytic condenser ㉞ is eliminated, and replaced with a substitute .015 section combined with ㉔, part 3793R. The .01 mfd. condenser ㉛ is eliminated. The positions of ㉛, ㉜ and ㉝ are changed in the chassis from that shown in Fig. 3.