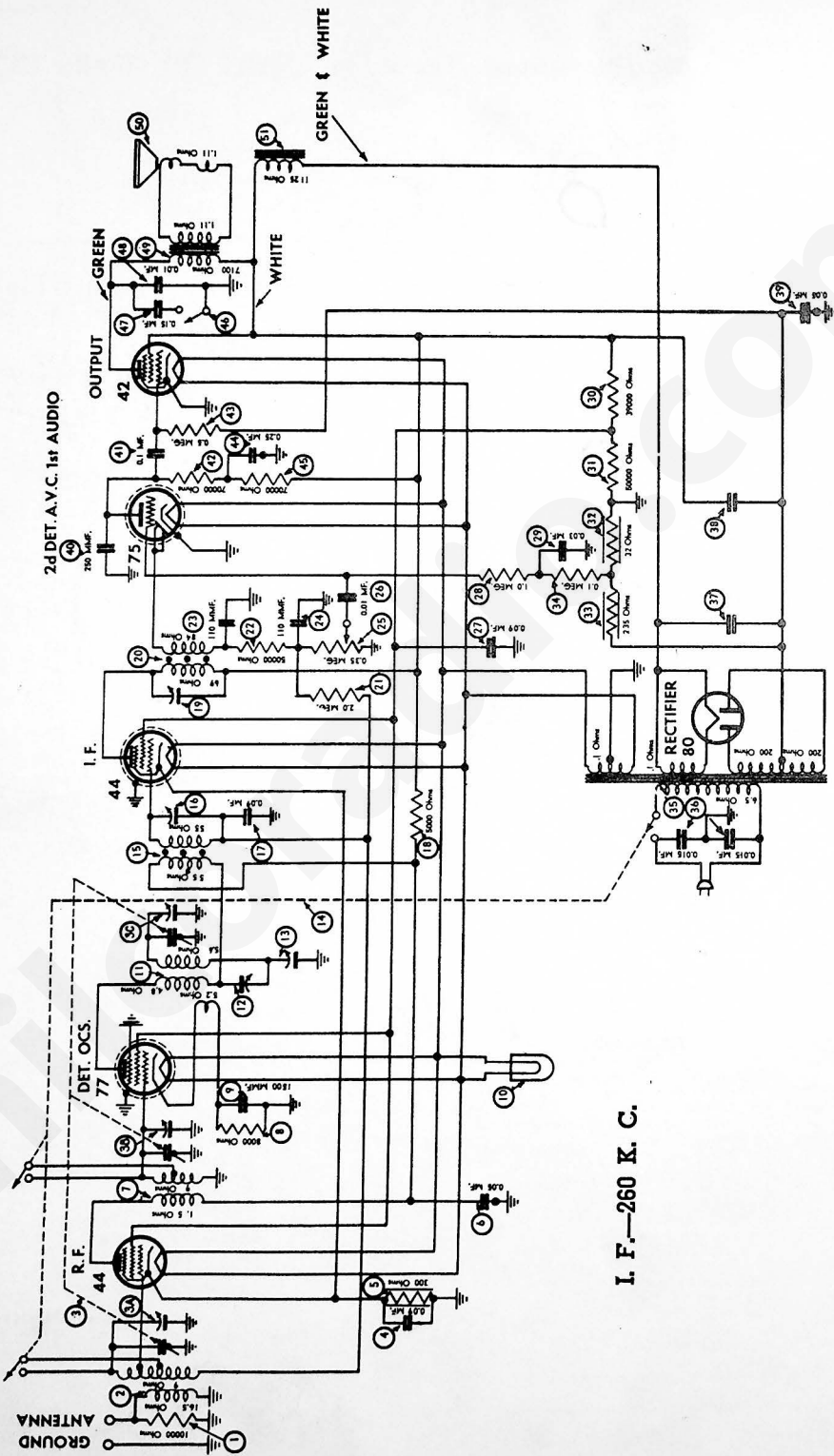
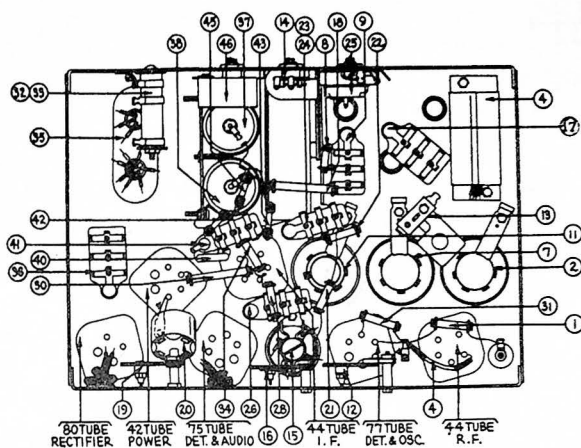


MODEL 89
(Code 123)



I. F.—260 K. C.

Replacement Parts for Model 89 (Code 123)



Description	Part No.	Description	Part No.
① Resistor (10,000 ohms).....	4412	③⑥ 2nd I. F. Transformer.....	06622
② Antenna Transformer.....	32-1062	⑦ Resistor (2.0 meg.).....	5872
③ Tuning Condenser Gang.....	31-1053	⑧ Resistor (50,000 ohms).....	4518
③a Compensator (Antenna).....	Part of ③	⑨ Condenser (.00011 mf.).....	8035-DG
③b Compensator (R. F.).....	Part of ③	⑩ Condenser (.00011 mf.).....	Part of ⑨
③c Compensator (Osc.).....	Part of ③	⑪ Volume Control, On-Off Switch.....	33-5004
④ Condenser (.09-.05-.09-.05-.25 mf.).....	06624	⑫ Condenser (0.01 mf.).....	3903-SU
⑤ Resistor (300 ohms).....	33-3010	⑬ Condenser (0.09 mf.).....	Part of ④
⑥ Condenser (0.05 mf.).....	Part of ④	⑭ Resistor (1.0 meg.).....	4409
⑦ Detector Coil.....	32-1063	⑮ Condenser (0.09 mf.).....	Part of ⑬
⑧ Resistor (8,000 ohms).....	33-1114	⑯ Resistor (39,000 ohms).....	33-1027
⑨* Condenser (.0015 mf. and .05 mf.).....	3615-XG	⑰ Resistor (50,000 ohms).....	4518
⑩ Pilot Light.....	6608	⑱ B. C. Resistor (32 ohms).....	7998
⑪ Oscillator Coil.....	06620	⑳ B. C. Resistor (235 ohms).....	Part of ⑱
⑫ Compensating Condenser (Pri. 1st I. F.).....	31-6024	㉑ Resistor (100,000 ohms).....	4411
⑬ Compensating Condenser (L. F. Series).....	04000-S	㉒ Power Transformer.....	8046
⑭ Waveband Switch.....	42-1016	㉓ Condenser (0.015-0.015 mf.).....	3793-DG
⑮ 1st I. F. Transformer.....	32-1289	㉔ Condenser (Electrolytic) (8 mf.).....	7558
⑯ Compensating Condenser (1st I. F. Sec.).....	04000-M	㉕ Condenser (Electrolytic) (8 mf.).....	7558
⑰ Condenser (0.09 mf.) (Twin).....	4989-DG	㉖ Condenser (0.05 mf.).....	Part of ④
⑱ Resistor (5,000 ohms).....	3526	㉗ Condenser (250 mmf.).....	5858
⑲ Compensating Condenser (2nd I. F. Pri.).....	04000-A	㉘ Condenser (0.01 mf.).....	3903-SU
		㉙ Resistor (70,000 ohms).....	5385
		㉚ Resistor (500,000 ohms).....	4517
		㉛ Condenser (0.25 mf.).....	Part of ④
		㉜ Resistor (70,000 ohms).....	5385
		㉝ Tone Control.....	06764
		㉞ Condenser (0.015 mf.).....	Part of ㉞
		㉟ Condenser (0.01 mf.).....	Part of ㉞
		㊱ Output Transformer.....	2580
		㊲ Replacement Cone Assembly (K-21).....	36-3159
		㊳ Replacement Field Coil Assembly (K-21).....	36-3245
		I. F. Shield.....	4450
		R. F. Shield.....	5084
		R. F. Shield.....	8000
		Tube Shield Body.....	28-2726
		Tube Shield Base.....	28-2725
		Speaker Cable.....	02720
		Drive Cord Spring.....	7776
		Drive Cord.....	31-1457
		Dial Hub and Scale.....	31-1590
		Bezel.....	27-4113
		Bezel Screws.....	W841B
		Knob (Tuning).....	27-4051
		Knob (Volume, Tone, Wave Switch).....	27-4052

*The .05 mf. section connects the same as condenser ④.