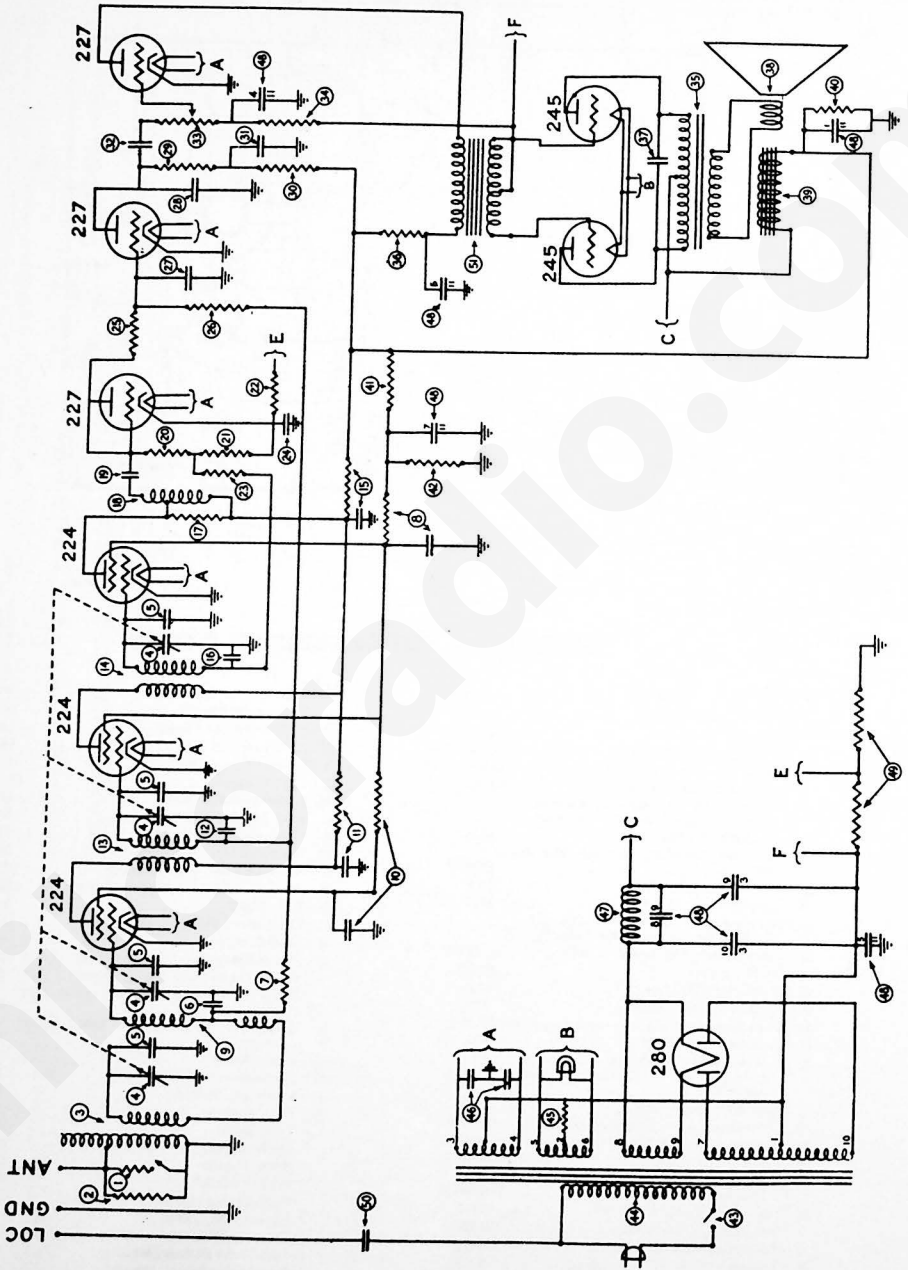
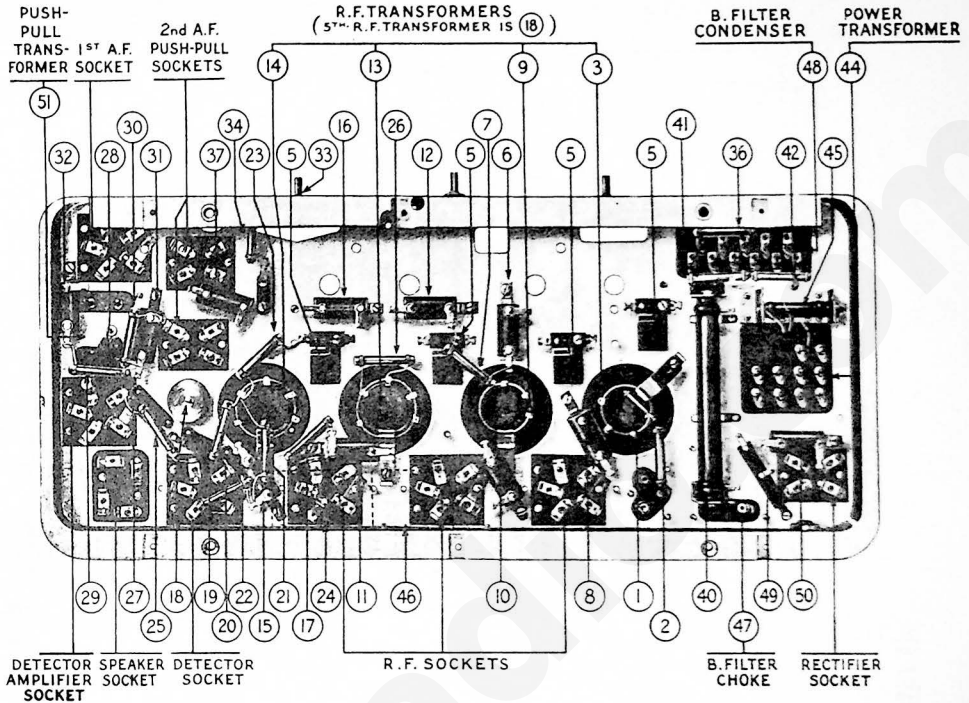


MODEL 95



MODEL 95



Replacement Parts for Model 95

NUMBER FROM
DIAGRAM

FACTORY
PART NO.

⊙	Resistor	3777	⊙	Resistor	3769
⊙	Resistor	3526	⊙	Resistor	3768
⊙	1st R. F. Transformer	3744-A	⊙	Condenser	3584-B
⊙	Tuning Condenser	3376-D	⊙	Condenser	3788-A
⊙	Compensating Condenser	3772-A	⊙	Resistor (Volume Control)	3790
⊙	Condenser	3788-A	⊙	Resistor	3542
⊙	Resistor	3542	⊙	Push-Pull Output Transformer	2848
⊙	Condenser	3584-C	⊙	Resistor	3656
⊙	2d R. F. Transformer	3744-B	⊙	Condenser	3788-A
⊙	Condenser and Resistor	3787-A	⊙	Speaker Cone and Voice Coil	2814-B
⊙	Condenser and Resistor	3787-A	⊙	Field Coil	2850
⊙	Condenser	3788-A	⊙	Resistor	3762
⊙	3d R. F. Transformer	3744-C	⊙	Resistor	3766
⊙	4th R. F. Transformer	3744-C	⊙	Resistor	3542
⊙	Condenser	3584-B	⊙	On-Off Switch	3517
⊙	Condenser	3788-A	⊙	Power Transformer	3752
⊙	Resistor	3766	⊙	Resistor	3763
⊙	5th R. F. Transformer	3775-B	⊙	Condenser (Filament By-Pass)	3557
⊙	Condenser	3774	⊙	Choke	3422
⊙	Resistor	3767	⊙	B Filter Condenser	3754
⊙	Resistor	3767	⊙	Resistor	3764
⊙	Resistor	3767	⊙	Condenser for "Loc" Terminal	3788-A
⊙	Resistor	3709	⊙	Push-Pull Input Transformer	3537
⊙	Condenser	3583	⊙	Local-Distance Switch	3773
⊙	Resistor	3768	⊙	Pilot Lamp	3463
⊙	Resistor	3769	⊙	Oscillator Kit	3540
⊙	Condenser	3082	⊙	Cabinet Touch-up Kit	3609
⊙	Condenser	3082			