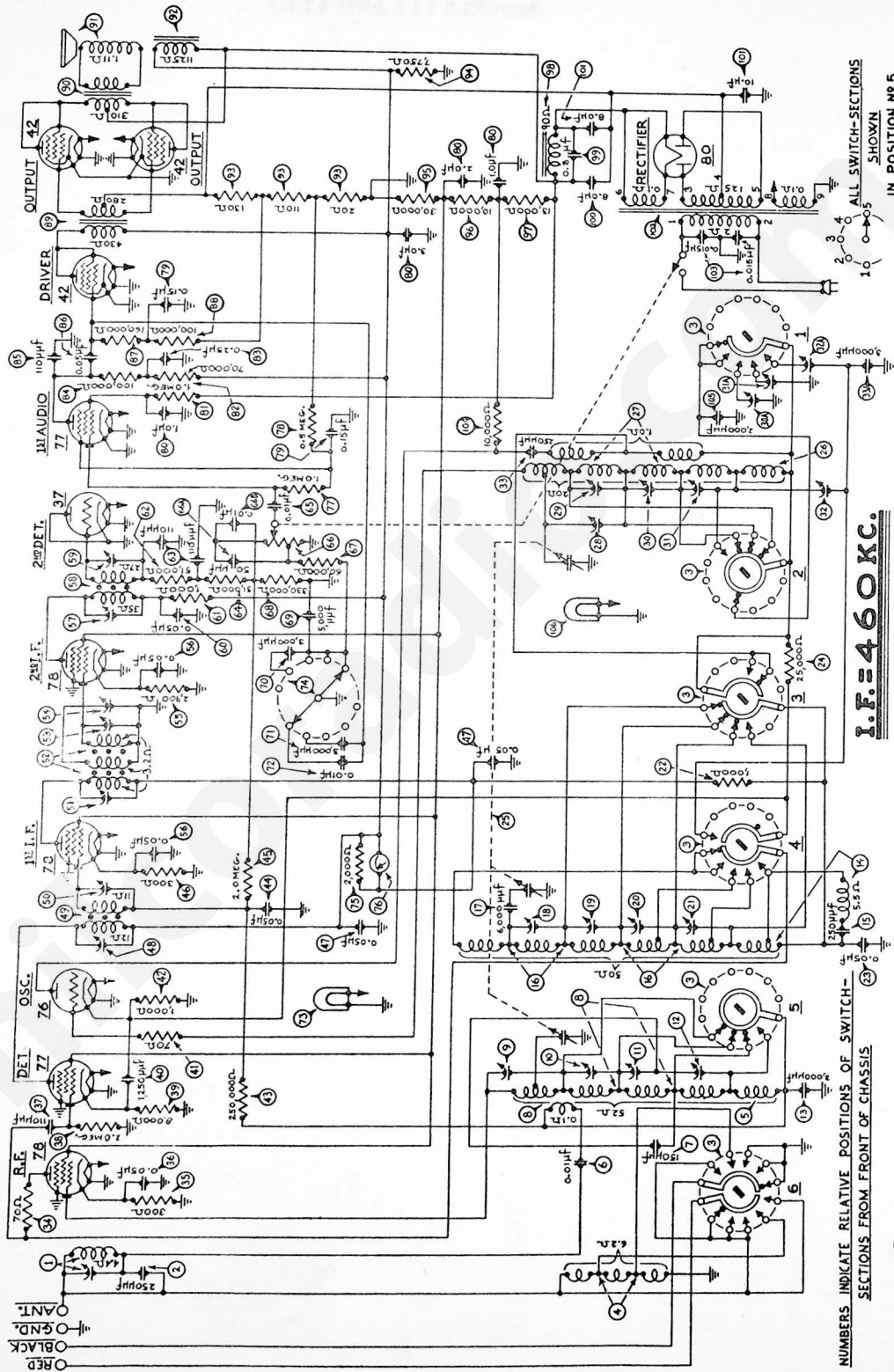


MODEL 116-B

(Code 121)



RED
 BLACK
 GND.
 ANT.

NUMBERS INDICATE RELATIVE POSITIONS OF SWITCH-
 SECTIONS FROM FRONT OF CHASSIS

I.F. = 460 KC.

ALL SWITCH-SECTIONS
 SHOWN
 IN POSITION NO. 5

Replacement Parts—Model 116 (Code 121)

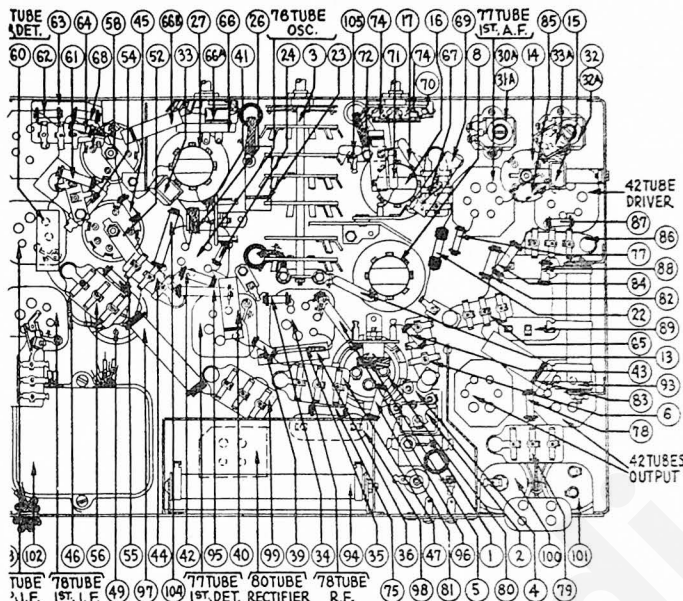


Fig. 4 Bottom View of Chassis

Description	Part No.
① Wave Trap.....	38-6889
① Condenser (.0025 Mfd. Mica).....	30-1032
① Waveband Switch.....	42-1118
① Transmission Line Transformer.....	32-1608
① Antenna Transformer (Long Wave).....	32-1729
① Condenser (.01 Mfd. Bakelite Block).....	3903-SU
① Condenser (.00015 Mfd. Mica).....	430-1030
① Antenna Transformer (Standard, Police, Short-wave).....	32-1735
① Compensating Condenser (Ant. S.W. High Band).....	Part of ①
① Compensating Condenser (Ant. S.W. Low Band).....	Part of ①
① Compensating Condenser (Ant. Police).....	Part of ①
① Compensating Condenser (Ant. Standard).....	Part of ①
① Condenser (.003 Mfd. Mica).....	7301
① R. F. Transformer (Long Wave).....	32-1730
① Condenser (.0025 Mfd. Mica).....	30-1038
① R. F. Transformer (Standard, Police, S.W.).....	32-1488
① Condenser (.002 Mfd. Mica).....	30-1042
① Compensating Condenser (R.F. Shortwave (High Band).....	Part of ①
① Compensating Condenser (R.F. Shortwave (Low Band).....	Part of ①
① Compensating Condenser (R.F. Police).....	Part of ①
① Compensating Condenser (R.F. Standard).....	Part of ①
① Resistor (1000 ohms) (Brown-Black-Red).....	5837
① Condenser (.05 Mfd. Tubular).....	30-4123
① Resistor (25000 ohms) (Red-Green-Orange).....	33-1013
① Tuning Condenser Assembly.....	31-1608
① Oscillator Transformer (Long Wave).....	32-1731
① Oscillator Transformer (Standard, Police, Shortwave).....	32-1738
① Compensating Condenser (Osc. S.W., High Band).....	Part of ①
① Compensating Condenser (Osc. S.W., Low Band).....	Part of ①
① Compensating Condenser (Osc. Police).....	Part of ①
① Compensating Condenser (Osc. Police Series).....	Part of 31-6027
① Compensating Condenser (Osc. Standard).....	Part of ①
① Compensating Condenser (Osc. Standard Series).....	Part of 31-6027
① Compensating Condenser (Osc. Longwave).....	31-6050
① Compensating Condenser (Osc. Longwave Series).....	5858
① Condenser (.00225 Mfd. Mica).....	5858
① Condenser (.003 Mfd. Mica).....	30-1028
① Resistor (70 ohms) (Violet-Black-Black).....	33-1114
① Resistor (300 ohms Flexible) (Orange-Black-Brown).....	33-3010
① Condenser (.05 Mfd. Tubular).....	30-4020
① Condenser (.00011 Mfd. Tubular).....	*30-4340
① Resistor (2 Megs.) (Red-Black-Green).....	*33-1025
① Resistor (8000 ohms) (Gray-Black-Red).....	30-4336
① Condenser (.00125 Mfd. Tubular).....	33-1114
① Resistor (70 ohms) (Violet-Black-Black).....	33-1129
① Resistor (1000 ohms) (Brown-Black-Red).....	5837
① Resistor (240000 ohms) (Red-Yellow-Yellow).....	33-1097
① Condenser (.05 Mfd. Bakelite Block).....	3615-SG
① Resistor (2 Megs.) (Red-Black-Green).....	33-1025
① Resistor (300 ohms Flexible) (Orange-Black-Black).....	33-3010
① Condenser (.05 Mfd. Twin Bakelite Block).....	3615-DG
① Compensating Condenser (1st I.F. Primary).....	Part of ①
① First I.F. Transformer.....	Part of 32-1642
① Compensating Condenser (1st I.F. Secondary).....	Part of ①
① Compensating Condenser (2nd I.F. Primary).....	Part of 31-6028
① Second I.F. Transformer.....	32-1365
① Compensating Condenser (2nd I.F. Secondary).....	Part of 31-6028
① Compensating Condenser (2nd I.F. Tertiary).....	4000R
① Resistor (2600 ohms) (Red-White-Red).....	6309
① Condenser (.05 Mfd. Twin Bakelite Block).....	3615-DG
① Compensating Condenser (3rd I.F. Primary).....	Part of 31-6003
① 3rd I.F. Transformer.....	32-1138
① Compensating Condenser (3rd I.F. Secondary).....	Part of 31-6003
① Condenser (.05 Mfd. Tubular).....	30-4123
① Resistor (1000 ohms) (Brown-Black-Red).....	5837
① Resistor (51900 ohms) (Green-Brown-Orange).....	33-1183
① Condenser (.00011 Mfd. Twin Bakelite Block).....	3035-DG
① Resistor (51900 ohms) (Green-Brown-Orange).....	33-1183
① Condenser (.01 Mfd. Bakelite Block).....	3903-SU
① Volume Control and On-Off Switch (See Note Below).....	33-5022
① Condenser (.00005 Mfd. Mica).....	30-1029
① Condenser (.05 Mfd. Tubular).....	30-4020
① Resistor (60000 ohms) (Blue-Black-Orange).....	33-1181
① Resistor (330000 ohms) (Orange-Orange-Yellow).....	33-1200
① Condenser (.004 Mfd. Tubular).....	30-4153
① Condenser (.004 Mfd. Tubular).....	30-4185
① Condenser (.003 Mfd. Mica).....	30-1028
① Condenser (.01 Mfd. Tubular).....	30-4169
① Pilot Lamp (Shadow Tuning Meter).....	Part of ①
① Tone Control Switch.....	42-1119
① Resistor (2600 ohms) (Red-Black-Red).....	6984
① Shadow Tuning Meter.....	45-2083
① Resistor (1 Meg.) (Brown-Black-Green).....	33-1096
① Resistor (500000 ohms) (Yellow-White-Yellow).....	6097
① Condenser (.13 Mfd. Twin Bakelite Block).....	6287-DG
① Condenser (.003 Mfd. Mica).....	30-2121
① Resistor (1 Meg.) (Brown-Black-Green).....	4409
① Resistor (70000 ohms) (Violet-Black-Orange).....	5385
① Condenser (.25 Mfd. Tubular).....	30-4134
① Resistor (100000 ohms) (White-White-Yellow).....	4411
① Condenser (.00011 Mfd. Mica).....	30-1031
① Condenser (.05 Mfd. Bakelite Block).....	3615-SU
① Resistor (160000 ohms) (Brown-Blue-Orange).....	33-1191
① Resistor (100000 ohms) (White-White-Yellow).....	33-1165
① Audio Transformer.....	32-7037
① Output Transformer.....	32-7079
① Cone and Voice Coil Assembly (H-13).....	6292S
① Field Coil & Pot. Assembly (H-13).....	30-3104
① B.C. Resistor (Wirewound) (20 ohms, 110 ohms, 130 ohms).....	33-3021
① Resistor (Wirewound) (7750 ohms).....	33-3020
① Resistor (30000 ohms) (Orange-Black-Orange).....	7836
① Resistor (10000 ohms) (Brown-Black-Orange).....	3524
① Resistor (13000 ohms) (Brown-Orange-Orange).....	6450
① Filter Choke.....	32-7056
① Condenser (.3 Mfd. Bakelite Block).....	*32-287-DU
① Condenser (Electrolytic, 8 Mfd.).....	7730-2025
① Condenser (Electrolytic, 8 Mfd., 10 Mfd.).....	30-2045
① Power Transformer: 115 V. 25 Cycles.....	33-7291
① Power Transformer: 130 V. 50 Cycles.....	33-7292
① Condenser (.015 Mfd. Twin Bakelite Block).....	3793-DG
① Resistor (10000 ohms) (Brown-Black-Orange).....	3524
① Condenser (.002 Mfd. Mica).....	30-1042
① Pilot Lamp (Dual).....	34-2039
① Condenser (.008 Mfd. Tubular) (Not shown in Fig. 4).....	30-4125
① Condenser (.008 Mfd. Tubular) (Not shown in Fig. 4).....	30-4125
① Dial Scale.....	27-5107
① Dial Mask and Hub Assembly.....	31-1575
① Dial Hub.....	28-7129
① Dial Spring Clamp.....	28-2837
① Socket—4-Prong.....	27-6042
① Socket—5-Prong.....	27-6035
① Socket—6-Prong.....	27-6038
① Speaker Plug Socket.....	27-6038
① Knob (Volume, Tone Waveband).....	27-4308
① Knob (Station Selector).....	27-4306
① Knob (Slow Speed).....	27-4307
① Tube Shield.....	28-2726
① Tube Shield Base.....	28-2725
① A.C. Cord & Plug.....	L-943A
① Bezel.....	28-2936
① Bezel Glass.....	27-7890
① Chassis Mtg. Bolt.....	W-1490
① Chassis Mtg. Washer (Rubber).....	27-4201
① Chassis Mtg. Bumper (Rubber).....	27-4200

*Mounted on top of chassis.

†Mounted inside ①.

**In 25-cycle model, this is part No. 04357.

‡In 25-cycle model, this is part No. 30-2026

Note: Volume Control is 2 meg., tapped at 400,000 ohms