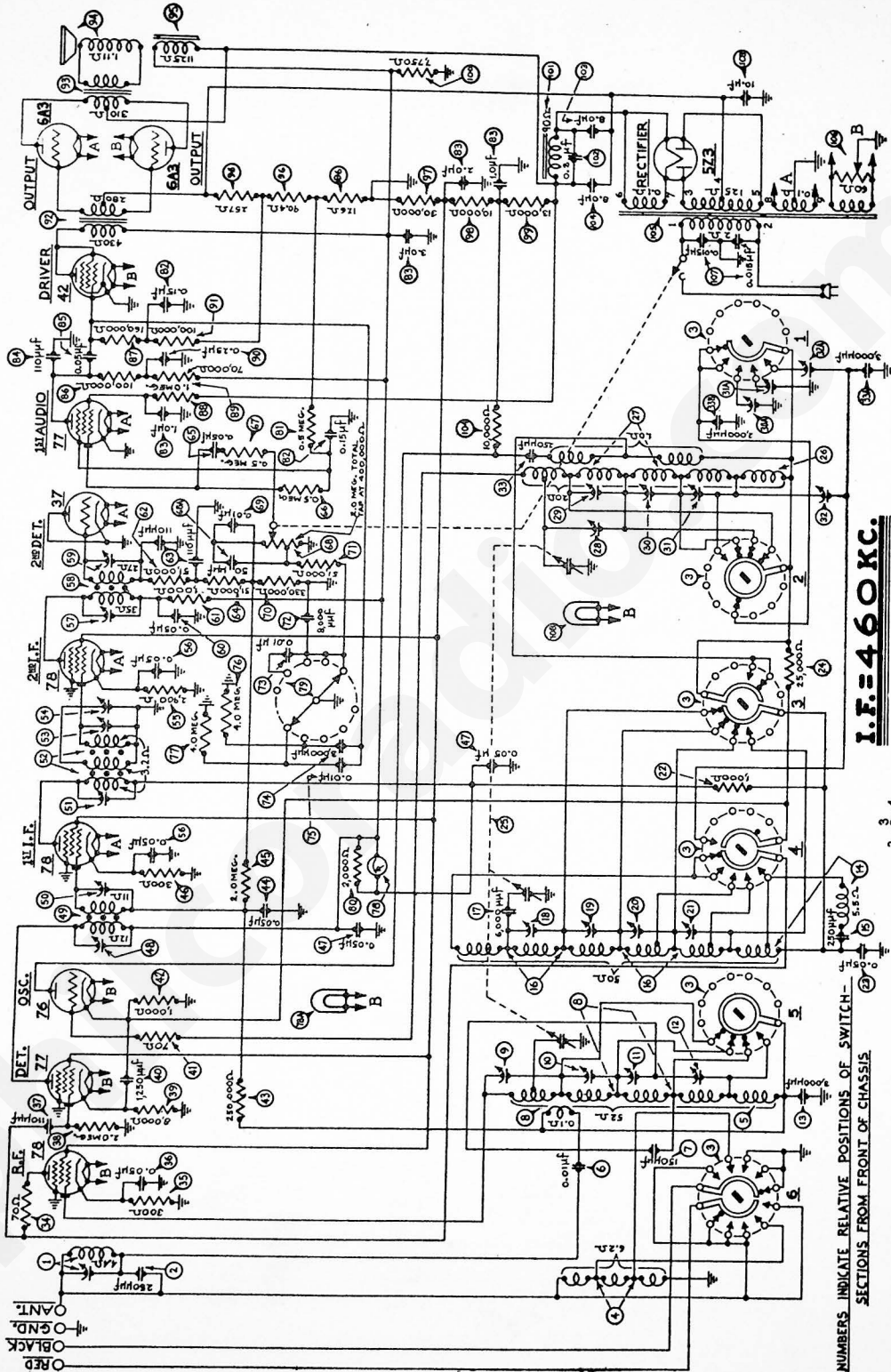


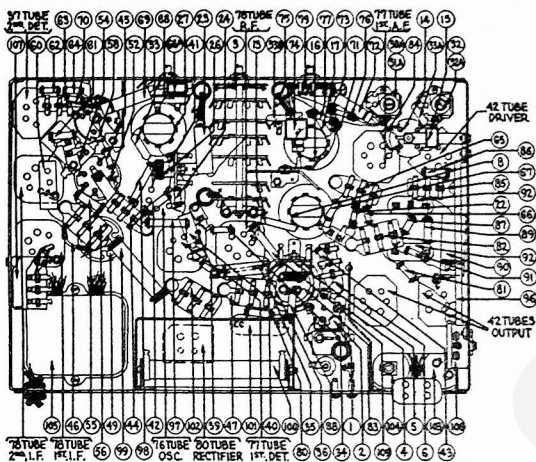
**MODEL 116-X**  
(Code 122)



NUMBERS INDICATE RELATIVE POSITIONS OF SWITCH-SECTIONS FROM FRONT OF CHASSIS

**I.F. = 460 KC.**

ALL SWITCH-SECTIONS SHOWN IN POSITION NO 5



### Replacement Parts Model 116 (122)

Note: All parts on schematic and base view numbered from ① to ④ inclusive are the same as used on model 116B (121). Parts subsequent to 64 are listed herewith.

	Description	Part No.
①	Condenser (.05 Mfd. Bakelite Block)	3815-SU
②	Resistor (.5 Meg.) (Yellow-White-Yellow)	6097
③	Resistor (.5 Meg.) (Yellow-White-Yellow)	6097
④	Volume Control and On-Off Switch	33-5110
⑤a	Condenser (.0005 Mfd. Mica)	30-1629
⑥	Condenser (.01 Mfd. Tubular)	30-4169
⑦	Resistor (330000 ohms) (Orange-Orange-Yellow)	33-1200
⑧	Resistor (51000 ohms) (Green-Brown-Orange)	6098
⑨	Condenser (.008 Mfd. Tubular)	30-4112
⑩	Condenser (.01 Mfd. Tubular)	30-4169
⑪	Condenser (.003 Mfd. Mica)	30-1028
⑫	Condenser (.01 Mfd. Tubular)	30-4188
⑬	Resistor (4 Meg.) (Yellow-Black-Green)	6010
⑭	Resistor (4 Meg.) (Yellow-Black-Green)	6010
⑮	Shadow Tuning Meter	45-2083
⑯a	Pilot Lamp for Shadow Tuning Meter	Part of ⑮
⑰	Tone Control Switch	42-1119
⑱	Resistor (2000 ohms) (Red-White-Red)	6984
⑲	Resistor (.5 Meg.) (Yellow-White-Yellow)	6097
⑳	Condenser (.15 Mfd. Twin Bakelite Block)	6287-DU
㉑	Condenser (Electrolytic) (1 Mfd., 3 Mfd., 2 Mfd., 1 Mfd.)	30-2121
㉒	Condenser (.00011 Mfd. Mica)	30-1031
㉓	Condenser (.05 Mfd. Bakelite Block)	3815-SU
㉔	Resistor (100000 ohms) (White-White-Yellow)	4411
㉕	Resistor (100000 ohms) (Brown-Blue-Yellow)	33-1191
㉖	Resistor (1 Meg.) (Brown-Black-Green)	4409
㉗	Resistor (70000 ohms) (Violet-Black-Orange)	6385
㉘	Condenser (.25 Mfd. Tubular)	30-4134
㉙	Resistor (100000 ohms) (White-White-Orange)	6099
㉚	Audio Transformer	32-7447
㉛	Output Transformer (On Speaker)	32-7446
㉜	Cone & Voice Coil Assembly (U-9)	35-3331
㉝	Field Coil & Pot Assembly (U-9)	36-3083
㉞	Resistor (Wirewound, Flat Type—17.6, 90.4, 257 ohms)	33-3212
㉟	Resistor (30000 ohms) (Orange-Black-Orange)	7836
㊱	Resistor (10000 ohms) (Brown-Black-Orange)	3524
㊲	Resistor (13000 ohms) (Brown-Orange-Orange)	6450
㊳	Resistor (7750 ohms, Wirewound Porcelain Tube)	33-3020
㊴	Filter Choke	32-7056
㊵	Condenser (.3 Mfd. Bakelite Block)	6287-DU
㊶	Condenser (Electrolytic) (8 Mfd., 10 Mfd.)	30-2123
㊷	Condenser (Electrolytic) (8 Mfd.)	10-2069
㊸	115 Volts, 60 Cycles	32-7431
㊹	Power Transformer, 115 Volts, 25 Cycles	32-7432
㊺	230 Volts, 50 Cycles	32-7433
㊻	Potentiometer	33-5111
㊼	Condenser (.015 Mfd. Twin Bakelite Block)	3793-DG
㊽	Pilot Lamp (Dial Scales)	14-2019
㊾	4-Prong Socket (6A3 Tubes)	37-6044