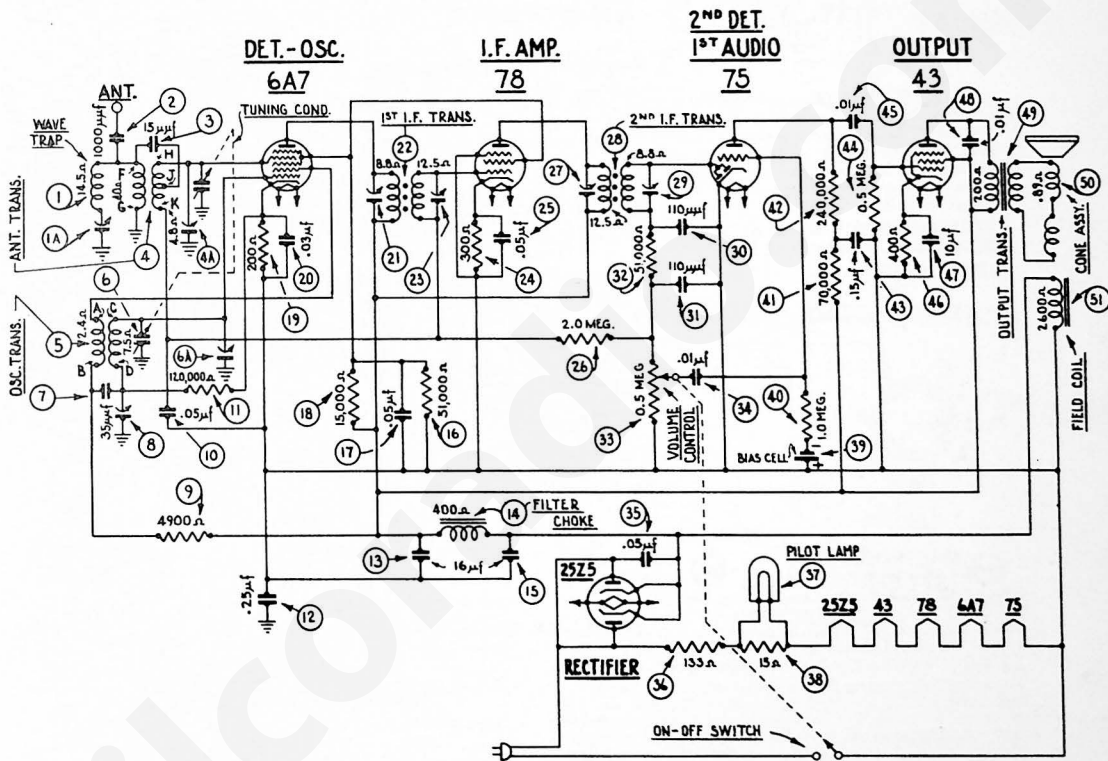
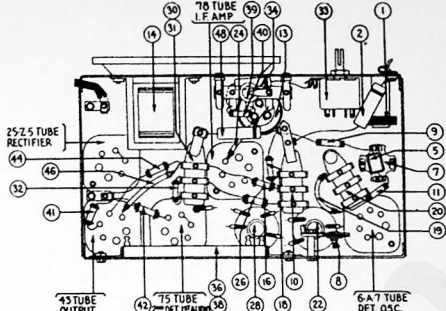


# MODEL 602

(A. C. — D. C.)



## Replacement Parts for Model 602

Schematic Number	Part and Description	Part No.
①	Wave Trap Coil.....	32-2007
②a	Wave Trap Condenser.....	0400019
③	Condenser (.001 Mf. Tubular).....	30-4201
④	Condenser (15 mmf. Mica).....	30-1030
⑤	Ant. Transformer.....	32-2003
⑥a	Compensator (Osc. 1800 KC.).....	
⑦	Osc. Transformer.....	32-2041
⑧	Tuning Condenser.....	31-1794
⑨a	Compensator (Ant. 1800 KC.).....	
⑩	Condenser (35 mmf. Mica).....	30-1044
⑪	Compensator (Osc. Series).....	
⑫	(600 Kc.).....	04000S
⑬	Resistor (4900 ohm, 1/2 watt).....	33-249333
⑭	Condenser (.05 Mf. Bakelite).....	3615-OSU
⑮	Resistor (120,000, 1/2 watt).....	33-412334
⑯	Condenser (25-.05-.05-.15-.01 mf.).....	30-4410
⑰	Elec. Condenser (16-16-10 mf.).....	30-2148
⑱	Filter Choke (16 mH).....	32-7544
⑲	Elec. Condenser (16 mH).....	Part of ⑲
⑳	Resistor (51,000 ohm, 1/4 watt).....	33-351143
㉑	Condenser (.05 mf.).....	Part of ㉑
㉒	Resistor (15,000 ohm, 1/4 watt).....	33-315133
㉓	Resistor (200 ohm wirewound).....	7217
㉔	Condenser (.03 mf. Bakelite).....	8318-OSU
㉕	Compensator (1st I.F. Pri.).....	Part of ㉕
㉖	1st I.F. Transformer.....	32-2005
㉗	Compensator (1st I.F. Sec.).....	Part of ㉗

Schematic Number	Part and Description	Part No.
㉘	Resistor (300 ohm wirewound).....	33-3010
㉙	Condenser (.05 mf.).....	Part of ㉙
㉚	Resistor (2.0 meg., 1/4 watt).....	33-520143
㉛	Compensator (2nd I.F. Pri.).....	Part of ㉛
㉜	2nd I.F. Transformer.....	32-2006
㉝	Compensator (2nd I.F. Sec.).....	Part of ㉝
㉞	Condenser (.00011 mf. twin).....	8035-01D
㉟	Condenser (.00011 mf.).....	Part of ㉟
㊱	Resistor (51,000 ohm, 1/4 watt).....	33-351143
㊲	Volume Control (0.5 meg.).....	33-5145
㊳	Condenser (.01 mf. Tubular).....	30-4145
㊴	Condenser (.05 mf.).....	Part of ㊴
㊵	B. C. Resistor (133-15 ohm).....	33-3225
㊶	Pilot Lamp.....	34-2068
㊷	Resistor (15 ohm).....	Part of ㊷
㊸	Bias Cell.....	41-8009
㊹	Resistor (1.0 meg., 1/4 watt).....	33-510144
㊺	Resistor (70,000 ohm, 1/4 watt).....	33-370133
㊻	Resistor (240,000 ohm, 1/4 watt).....	33-424143
㊼	Condenser (.15 mf.).....	Part of ㊼
㊽	Resistor (490,000 ohm, 1/4 watt).....	33-449143
㊾	Condenser (.01 mf.).....	Part of ㊾
㊿	Resistor (400 ohm wirewound).....	
①	(Flexible).....	33-3122
②	Elec. Condenser (10 mf.).....	Part of ②
③	Condenser (.01 mf. Tubular).....	30-4169
④	Output Transformer.....	32-7566

Schematic Number	Part and Description	Part No.
⑤	Voice Coil Cone Assy.....	36-3029
⑥	Field Coil Assy.....	36-3040
⑦	Volume Control Mtg. Nut.....	W-684-A
⑧	B. C. Resistor Mtg. Screw.....	W-650-A
⑨	B. C. Resistor Mtg. Nut.....	W-95-A
⑩	Tube Shield Base.....	28-2725
⑪	Tube Shield Body.....	28-2726
⑫	Chassis Mtg. Screw.....	W-1587-A
⑬	Chassis Mtg. Nut.....	W-124-A
⑭	Chassis Mtg. Washer.....	W-410-A
⑮	Chassis Mtg. Washer.....	W-291-A
⑯	Speaker Baffle.....	40-5840
⑰	Dial.....	27-5188
⑱	Pointer.....	27-8236
⑲	Shield Bottom Assy.....	29-3605
㉑	Shield Bottom Insulator.....	27-8182
㉒	Tube Socket (6-prong).....	27-6036
㉓	Tube Socket (7-prong).....	27-6037
㉔	Knob (Volume, On-Off).....	27-4273
㉕	Knob (Station Selector).....	27-4302
㉖	Elec. Condenser Support.....	6440
㉗	Elec. Condenser Insulator.....	27-7836
㉘	Pilot Lamp Bracket Assy.....	38-7513
㉙	Ant. Coil Mfg. Bracket.....	28-3546
㉚	Bias Cell Assy.....	38-7436
㉛	Coupling (For Tuning Knob).....	28-6426