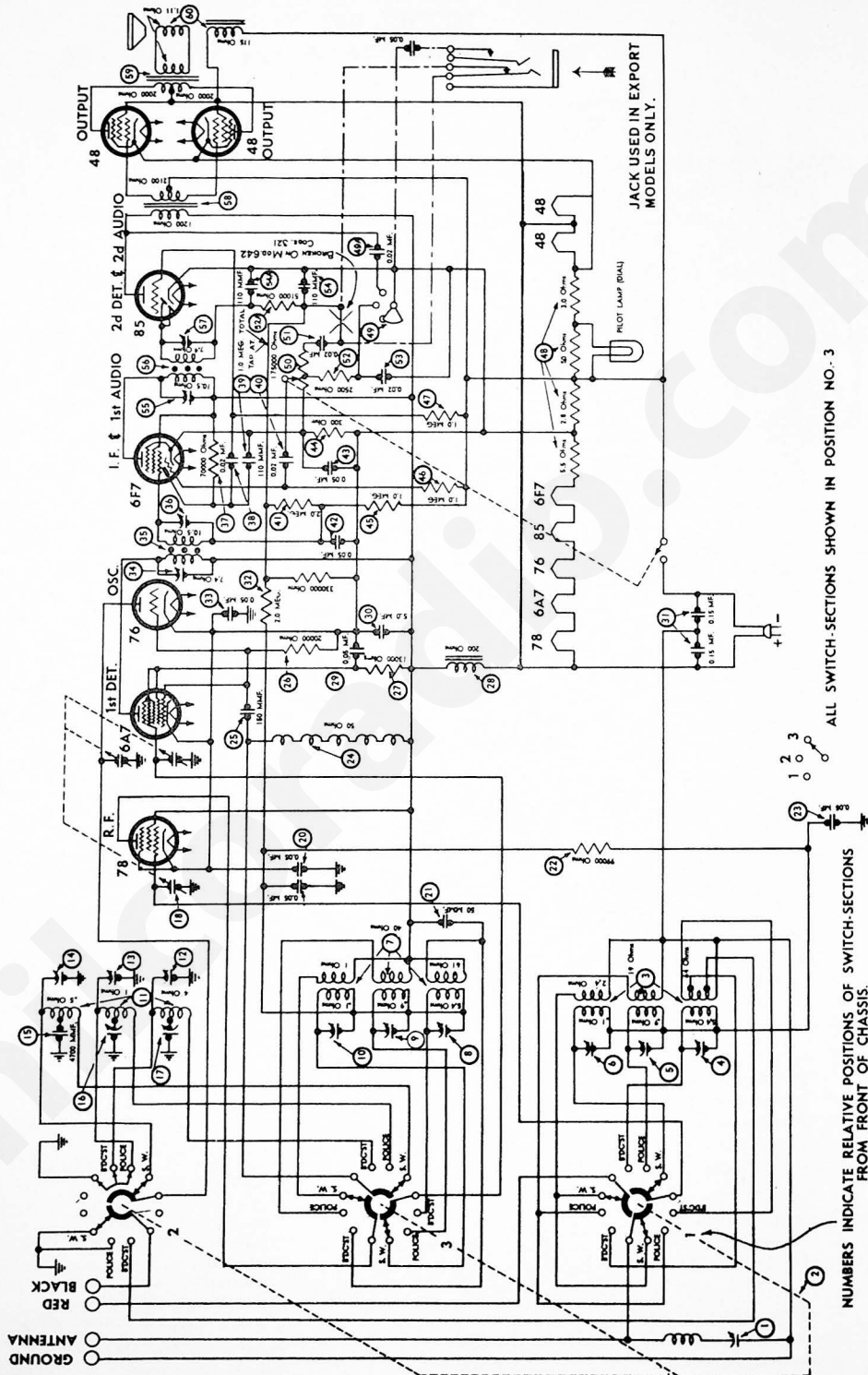


**MODEL 642**  
(32-Volt D.C.)



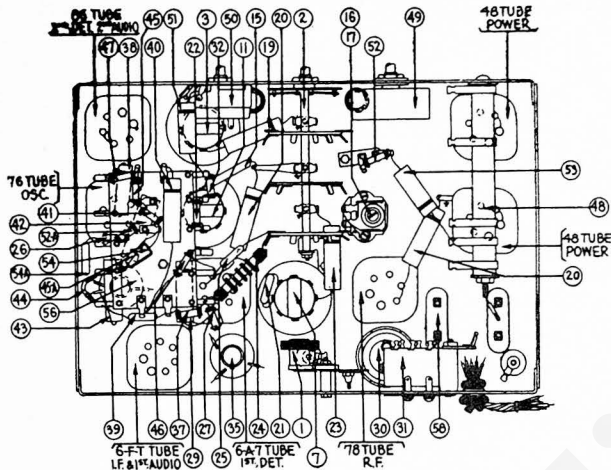
ALL SWITCH-SECTIONS SHOWN IN POSITION NO. 3



NUMBERS INDICATE RELATIVE POSITIONS OF SWITCH-SECTIONS FROM FRONT OF CHASSIS.

# MODEL 642

## (Replacement Parts)



| Description                             | Part No.  |
|---|-----------|
| ① Wavetrap                              | 38-6972   |
| ② Waveband Switch                       | 42-1107   |
| ③ Antenna Transformer                   | 32-1867   |
| ④ Compensating Condenser (Std.)         | Part of ② |
| ⑤ Compensating Condenser (Police)       | Part of ③ |
| ⑥ Compensating Condenser (S. W.)        | Part of ③ |
| ⑦ R. F. Transformer                     | 32-1868   |
| ⑧ Compensating Condenser (Std.)         | Part of ⑦ |
| ⑨ Compensating Condenser (Police)       | Part of ⑦ |
| ⑩ Compensating Condenser (S. W.)        | Part of ⑦ |
| ⑪ Oscillator Transformer                | 32-1869   |
| ⑫ Compensating Condenser (Std.)         | Part of ⑪ |
| ⑬ Compensating Condenser (Police)       | Part of ⑪ |
| ⑭ Compensating Condenser                | Part of ⑪ |
| ⑮ Condenser (.0047 mf.)                 | 30-1052   |
| ⑯ Compensating Condenser (L. F. Police) | 31-6027   |
| ⑰ Compensating Condenser (L. F. Std.)   | Part of ⑱ |
| ⑱ Tuning Condenser                      | 31-1526   |
| ⑲ Condenser (0.05 mf.)                  | 30-4020   |
| ⑳ Condenser (0.05 mf.)                  | 30-4020   |
| ㉑ Condenser (.000050 mf.)               | 30-1029   |
| ㉒ Resistor (99,000 ohms)                | 6099      |
| ㉓ Condenser (0.05 mf.)                  | 30-4020   |
| ㉔ Choke (R.F.)                          | 32-1842   |
| ㉕ Condenser (.00015 mf.)                | 30-1033   |
| ㉖ Resistor (20,000 ohms)                | 33-1178   |
| ㉗ Resistor (13,000 ohms)                | 8267      |
| ㉘ Choke (Filter)                        | 32-7215   |
| ㉙ Condenser (0.05 mf.)                  | 30-4020   |

| Description                               | Part No.       |
|---|----------------|
| ⑩ Condenser (5.0 mf.)                     | 30-2132        |
| ㉑ Condenser (0.15-0.15 mf.)               | 6287-DU        |
| ㉒ Resistor (2.0 meg.)                     | 33-1025        |
| ㉓ Condenser (0.05 mf.)                    | 30-4020        |
| ㉔ Compensating Condenser (1st I. F. Pri.) | Part of ㉕      |
| ㉕ I. F. Transformer (1st)                 | 32-1843        |
| ㉖ Compensating Condenser (1st I. F. Sec.) | Part of ㉕      |
| ㉗ Resistor (170,000 ohms)                 | 33-1191        |
| ㉘ Condenser (0.02 mf.)                    | 30-4215        |
| ㉙ Condenser (.00011 mf.)                  | 30-1031        |
| ㉚ Condenser (0.02 mf.)                    | 30-4124        |
| ㉛ Resistor (2 meg.)                       | 33-1025        |
| ㉜ Condenser (0.05 mf.)                    | 30-4020        |
| ㉝ Condenser (0.05 mf.)                    | 30-4020        |
| ㉞ Resistor (300 ohms)                     | 33-3010        |
| ㉟ Resistor (1.0 meg.)                     | 33-1096        |
| ㊱ Resistor (1.0 meg.)                     | 33-1096        |
| ㊲ Resistor (1.0 meg.)                     | 33-1096        |
| ㊳ B. C. Resistor                          | 38-7026        |
| ㊴ Tone Control                            | 30-4332        |
| ㊵ Volume Control                          | 33-5120        |
| ㊶ Condenser (0.02 mf.)                    | 30-4215        |
| ㊷ Resistor (25,000 ohms)                  | 33-1013        |
| ㊸ Condenser (0.02 mf.)                    | 30-4215        |
| ㊹ Condenser (.00011 mf.)                  | 30-1031        |
| ㊺A Condenser (.00011 mf.)                 | 30-1031        |
| ㊻ Compensating Condenser (2nd I. F. Pri.) | Part of ㊼      |
| ㊼ 2nd I. F. Transformer                   | 32-1844        |
| ㊽ Compensating Condenser (2nd I. F. Sec.) | Part of ㊼      |
| ㊾ Input Transformer                       | 3242           |
| ㊿ Output Transformer                      | 32-7309        |
| Ⓚ Speaker Cone Assembly                   | (K-29) 36-3159 |
| Field Coil Assembly                       | 36-3407        |
| 5 Prong Socket                            | 27-6035        |
| 6 Prong Socket                            | 27-6036        |
| 7 Prong Socket                            | 27-6037        |
| R. F. Shield Assembly                     | 38-6938        |
| Tube Shield Body                          | 28-2726        |
| Tube Shield Base                          | 28-2725        |
| Pilot Lamp                                | 34-2068        |
| Dial                                      | 27-5098        |
| Hub and Set Screw Assembly                | 31-1550        |
| Spring Clamp                              | 28-2837        |
| Speaker Cable                             | L-1885         |
| Bezel                                     | 28-3163        |
| Bezel Glass                               | 27-8006        |
| Bezel Gasket                              | 27-7980        |
| Bezel Frame Gasket                        | 27-7971        |
| Knob (Station Selector)                   | 27-4206        |
| Knob (Fine Tuning)                        | 27-4207        |
| Knob (Volume Control, Tone Control)       | 27-4208        |
| Knob (Wave Band Switch)                   | 27-4225        |