

# INSTRUCTIONS

## FOR INSTALLING AND OPERATING

# MODELS

## PT-26, PT-28 & PT-36

### STANDARD BROADCAST RECEIVERS

Models PT-26, PT-28 and PT-36 are five-tube superheterodyne radios for operation on either alternating current (AC) or direct current (DC) supply. They cover a frequency range from 540 kilocycles to 1580 kilocycles (KC).

The scales are calibrated in kilocycles (less the final zero). Standard broadcast stations are listed in kilocycles in most station lists.

The power rating of these models is marked on the name label on the bottom of the respective cabinets. Make sure that this rating corresponds with the power furnished your home.

#### INSTALLATION

Neither outside aerial nor ground is necessary with these models. A loop antenna, built in the cabinet adds to the compactness and portability of these models. However, for maximum performance in steel reinforced buildings and other shielded locations, provision has been made for attaching an outside aerial. The Philco Utility aerial, Part No. 40-6384 (obtainable from your Philco dealer) is recommended. However, in some locations a wire, approximately twenty feet long, placed around the baseboard moulding or under the rug may be found to give satisfactory reception. A lug, secured to the chassis by a screw located in the lower left hand corner of the back, furnishes a convenient method of attaching this aerial. Simply remove the lug from under the screw and attach the aerial lead to the lug.

When no external aerial is used this lug should be secured under the screw to insure best performance of the radio on the built in loop antenna. No ground is required with either type of installation.

To replace tubes the cabinet back must be removed. Tubes may be removed by rocking them gently in their sockets until the center locking pin is released. A label inside the cabinet will show the relative location of the tubes.

**NOTE:** If your house current is DC and no sound is heard after the tubes are sufficiently heated, reverse the electric plug in the outlet. The same procedure is advised if your power supply is AC and a slight hum is observed with the volume turned low.

#### OPERATION

Turn the "On-Off Switch and Volume Control" (left hand knob) to the right (clockwise) about half its range. This supplies power to the radio and illuminates the dial.

Now select the desired station by rotating the "Station Selector" (right hand knob).

For best tone, tune the desired station with the volume turned low. This enables you to get the exact point where the station comes in best. Then adjust the volume to the desired level with the volume control.

Turning the cabinet in different positions on the table will cause a variation in the volume of reception on weak stations. This same directional property will also cause a reduction in noise interference, in some cases. If maximum performance is required, rotate the cabinet until best reception is obtained. This position may vary for different stations.

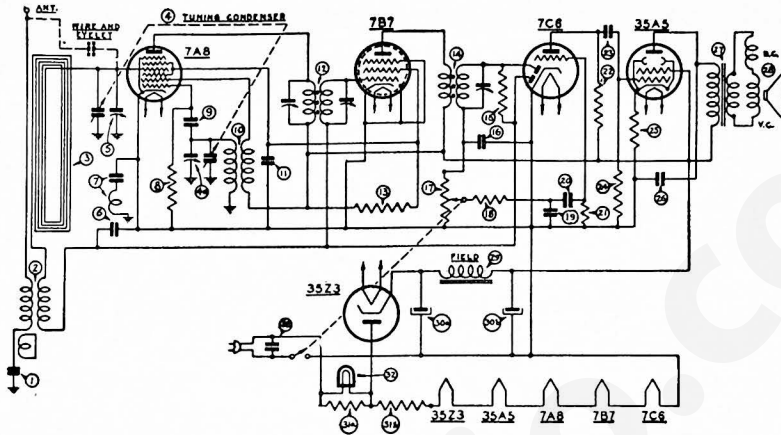
A considerable decrease in reception may be observed when the radio is placed near large metal objects. Care should be taken to locate the radio so as to minimize this effect.

#### SERVICE

For the convenience of all radio owners, Philco has developed a plan for prompt, efficient radio service in every locality. This plan is known as "Radio Manufacturers Service". There is a member in your neighborhood — his shop or store can be identified by the emblem shown here. To make sure of guaranteed work, genuine Philco tubes and parts, and standard prices — call a member of "Radio Manufacturers Service".



INSTRUCTIONS FOR INSTALLING AND OPERATING MODELS PT-26, PT-28 & PT-36



REPLACEMENT PARTS

PHILCO TRANSITONE HOME RADIOS — MODELS PT-26, PT-28 AND PT-36

Schem. No.	Description	Philco Part No.	Schem. No.	Description	Philco Part No.
1	Tubular Condenser (.0015 mf., 200V)	30-4555S	16	Mica Condenser (250 mmf.)	61-0033
2	Antenna Transformer	32-3394	17	Volume Control (500,000 ohms)	33-5306
3	Loop Antenna — Part of cabinet and loop Assy.		18	Resistor (47,000 ohms, 1/4 watt)	33-347154
	PT-26	76-1005	19	Mica Condenser (250 mmf.)	61-0033
	PT-28	76-1013	20	Tubular Condenser (.01 mf., 200V)	30-4479S
	PT-36	76-1014	21	Resistor (4.7 meg., 1/4 watt)	33-547154
4	Tuning Condenser — PT-26 & PT-28	31-2439	22	Resistor (220,000 ohms, 1/4 watt)	33-422154
	PT-36	31-2443	23	Tubular Condenser (.01 mf., 400V)	30-4572S
5	Padding Condenser	31-6344	24	Resistor (470,000 ohms, 1/4 watt)	33-447154
6	Tubular Condenser (.1 mf., 200V)	30-4499S	25	Resistor (130 ohms, 1/2 watt)	33-113336
7	Condenser & Choke Assy.	76-1019	26	Tubular Condenser (.04 mf., 400V)	30-4119S
8	Resistor (22,000 ohms, 1/4 watt)	33-322154	27	Output Transformer—Part of Speaker No. 36-1469	
9	Mica Condenser (110 mmf.)	30-1130	28	Speaker	36-1469
10	Oscillator Transformer	32-3182	29	Field Coll.—Part of Speaker No. 36-1469	
11	Tubular Condenser (.05 mf., 200V)	30-4519S	30	Electrolytic Condenser (20-20 mf., 150V)	30-2382
12	1st I. F. Transformer	32-3390	31	Line Resistor	33-3367
13	Resistor (22,000 ohms, 1/2 watt)	33-322334	32	Pilot Lamp	34-2068
14	2nd I. F. Transformer	32-3391	33	Tubular Condenser (.04 mf., 400V)	30-4119S
15	Resistor (2.2 meg., 1/4 watt)	33-522154			

WARRANTY

We warrant each new Philco Transitone Radio Receiver and Speaker to be free from defects in material and workmanship under normal use and service, our obligation under this warranty being limited to making good at our depot any part or parts thereof which shall, within ninety (90) days after delivery of such Receiver to the original retail purchaser, be returned to our depot with transportation charges prepaid, and which our examination shall disclose to our satisfaction to have been thus defective; this warranty being expressly in lieu of all other warranties expressed or implied, and of all other obligations or liabilities on our part, and we neither assume nor authorize any representative or other person to assume for us any other liability in connection with the sale of Receivers or Speakers.

This warranty shall not apply to any Receiver or Speaker which shall have been repaired or altered other than by us in any way so as, in our judgment, to affect its stability or reliability, nor which has been subject to misuse, negligence or accident, nor which has had the serial number altered, effaced or removed. Neither shall this warranty apply to any receiver or speaker which has been connected otherwise than in accordance with the instructions furnished by us.