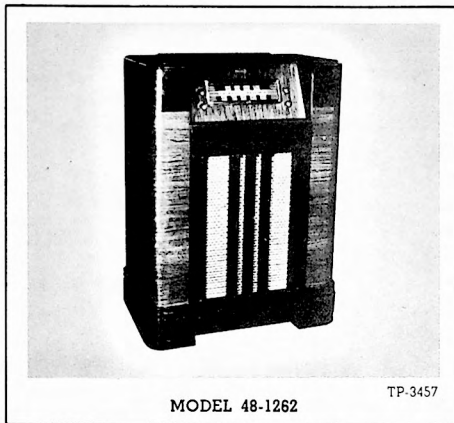


PHILCO RADIO-PHONOGRAPH, MODEL 48-1262



SPECIFICATIONS

CABINET	Wood, walnut finish
CIRCUIT	Six-tube superheterodyne
FREQUENCY RANGE.....	540 to 1620 kc.
AUDIO OUTPUT.....	2.5 watts
OPERATING VOLTAGE.....	{105 to 120 volts {60-cycle, a.c. only
POWER CONSUMPTION.....	{Radio, 40 watts {Phonograph, 20 watts
AERIAL.....	{Built-in loop; terminal also {provided for external aerial
INTERMEDIATE FREQUENCY.....	455 kc.
PHILCO TUBES (6) .7B7(2), 7C6, 14AF7, 35L6GT, 50X6	
PHONOGRAPH.....	{Philco Automatic Record Changer, Model D-10 (For service information, refer to PR-1156.)

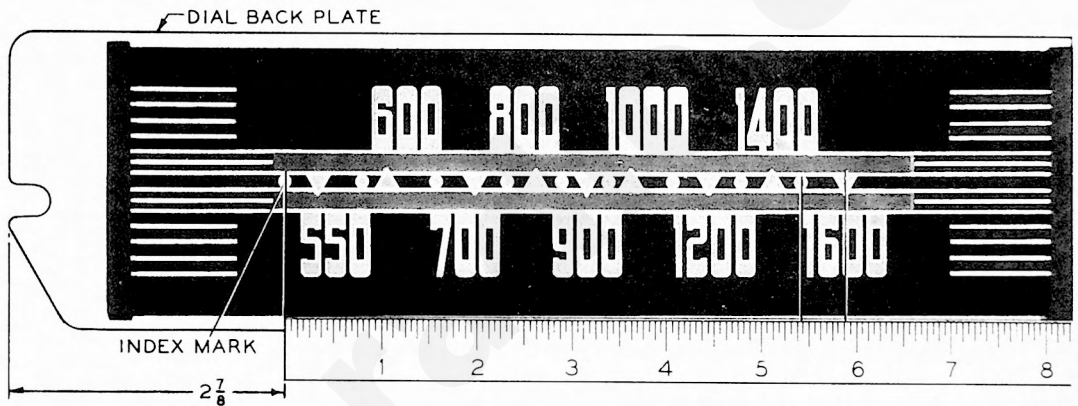


Figure 1. Calibration Measurements for Dial Backplate

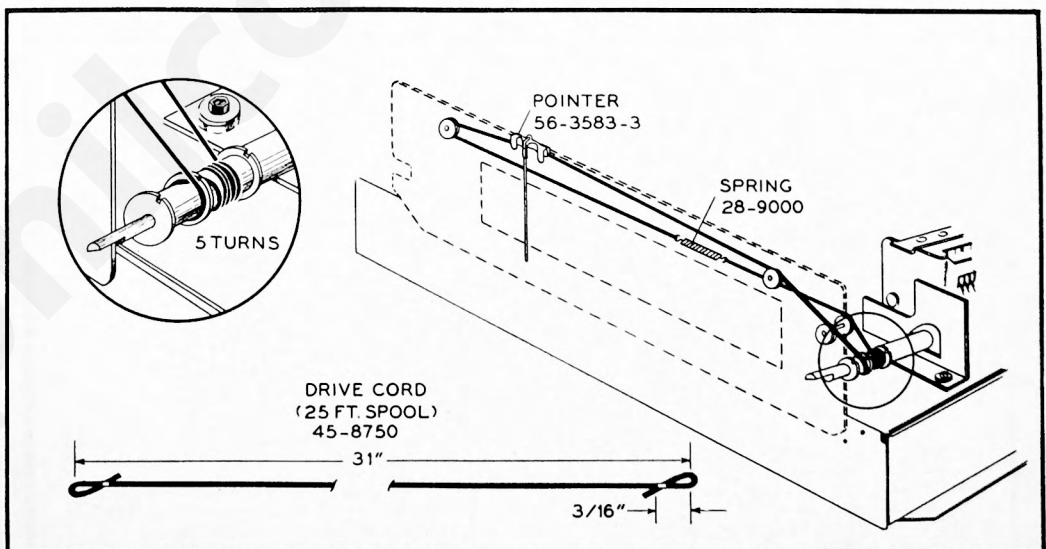


Figure 2. Drive-Cord Installation Details

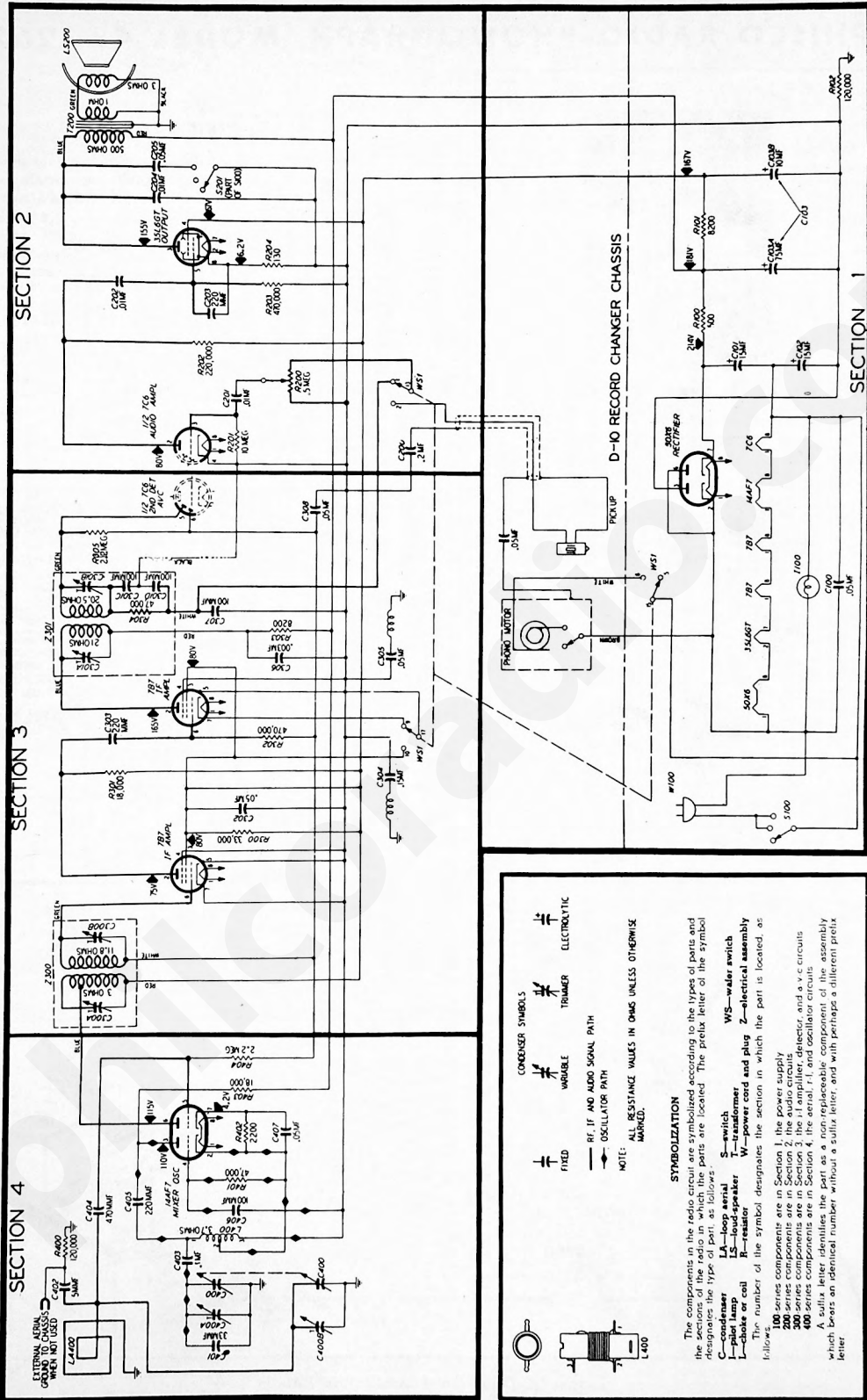


Figure 3. Philco Radio-Phonograph, Model 48-1262, Sectionalized Schematic Diagram.

ALIGNMENT PROCEDURE

SET RADIO-PHONO SWITCH TO RADIO POSITION AND TURN VOLUME CONTROL TO MAXIMUM

NOTE: Make alignment with loop aerial connected to radio.

SIGNAL GENERATOR (modulated)—Connect as indicated in chart.

OUTPUT LEVEL—During alignment, adjust signal-generator output to maintain output-meter indication below 1.25 volts.

STEP	SIGNAL GENERATOR		RADIO		
	CONNECTIONS TO RADIO	DIAL SETTING	DIAL SETTING	SPECIAL INSTRUCTIONS	ADJUST
1				Turn C300B down tight.	
2	Through .1-mf. condenser to Pin #5 of 14AF7	455 kc.	540 kc.	Adjust trimmers in order given for maximum output.	C301B C301A C300B C300A
3	Radiating loop (see Note below).	1600 kc.	1600 kc.	Adjust for maximum.	C400B
4	Same as step 3.	1500 kc.	1500 kc.	Adjust for maximum.	C400A

RADIATING-LOOP NOTE: Make up a 6–8-turn, 6-inch-diameter loop, using insulated wire; connect to signal-generator leads and place near radio loop aerial.

DIAL—Calibration and pointer-index measurements are shown in figure 1. With tuning gang fully meshed, set pointer to index mark.

OUTPUT METER—Connect to terminals indicated in figure 4.

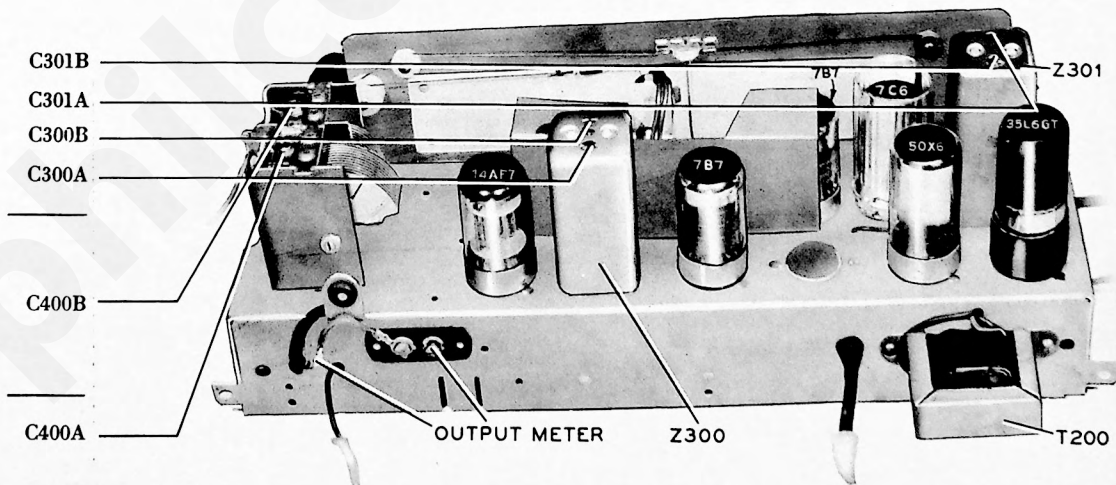


Figure 4. Top View, Showing Trimmer Locations

TP-3745

REPLACEMENT PARTS LIST

NOTE: Part numbers marked with an asterisk (*) are general replacement items. These numbers may not be identical with those on factory assemblies; also, the electrical values of some replacement items may differ from the values indicated in the schematic diagram and parts list. The values substituted in any case are so chosen that the operation of the radio will be either unchanged or improved. When ordering replacements, use only the "Service Part No."

SECTION 1

Reference Symbol	Description	Service Part No.
C100	Condenser, line filter, .05 mf.....	61-0122*
C101	Condenser, electrolytic, filter, 15 mf.....	30-2575-11
C102	Condenser, electrolytic, filter, 15 mf.....	30-2575-11
C103	Condenser, electrolytic, 2-section filter .30-2575-17	
C103A:	Condenser, electrolytic, filter, 75 mf..Part of C103	
C103B:	Condenser, electrolytic, filter, 10 mf..Part of C103	
I100	Panel lamp	34-2477*
R100	Resistor, filter, 500 ohms.....	33-3435-3
R101	Resistor, filter, 82,000 ohms.....	66-2824340
R102	Resistor, leakage,	
S100	Switch, on-off, power.....	42-1816-1
W100	Line cord	

SECTION 2

C200	Condenser, audio by-pass, .2 mf.....	45-3500-3*
C201	Condenser, blocking, .01 mf.....	61-0120*
C202	Condenser, blocking, .01 mf.....	61-0120*
C203	Condenser, by-pass, 220 mmf.....	60-10205307*
C204	Condenser, tone compensator, .01 mf.....	61-0120*
C205	Condenser, tone compensator,	
LS200	Loud-speaker	
R200	Volume control, .5 megohm.....	33-5539-22
R201	Resistor, grid return, 10 megohms.....	66-6103340*
R202	Resistor, plate load, 220,000 ohms.....	66-4223340*
R203	Resistor, grid return, 470,000 ohms.....	66-4473340*
R204	Resistor, cathode bias, 130 ohms.....	66-1133260
S201	Tone-control switch	Part of S100
T200	Output transformer	32-8242-3
WS1	Wafer switch, radio-phono.....	42-1824-1

SECTION 3

C300A	Condenser, trimmer	Part of Z300
C300B	Condenser, trimmer	Part of Z300
C301A	Condenser, trimmer	Part of Z301
C301B	Condenser, trimmer	Part of Z301
C301C	Condenser, by-pass	Part of Z301
C301D	Condenser, by-pass	Part of Z301
C302	Condenser, by-pass, .05 mf.....	61-0122*
C303	Condenser, coupling, 220 mmf.....	60-10205307*
C304	Condenser-and-choke assembly,	
C305	Condenser-and-choke assembly,	
C306	Condenser, by-pass, .003 mf.....	61-0109*
C307	Condenser, by-pass, 100 mmf.....	60-10105407*
C308	Condenser, a-v-c by-pass, .05 mf.....	61-0122*
R300	Resistor, screen dropping, 33,000 ohms	66-3333340*
R301	Resistor, plate load, 18,000 ohms.....	66-3183340*
R302	Resistor, grid load,	
R303	Resistor, plate dropping, 82,000 ohms.....	66-2823340*

SECTION 3—Continued

Reference Symbol	Description	Service Part No.
R304	Resistor, diode load, 47,000 ohms...	Part of Z301
R305	Resistor, a-v-c filter, 2.2 megohms.....	66-5223340*
Z300	Transformer, 1st i. f., 455 kc., includes C300A and C300B	32-4151-1
Z301	Transformer, 2nd i. f., 455 kc., includes C301A, C301B, C301C, and C301D.....	32-3948-9

SECTION 4

C400	Condenser, tuning gang	
C400A:	Condenser, trimmer	Part of C400
C400B:	Condenser, trimmer	Part of C400
C401	Condenser, compensating, 33 mmf.....	60-00305307*
C402	Condenser, series blocking, 4.7 mmf.....	30-1221-5
C403	Condenser, isoating, .1 mf.....	61-0113*
C404	Condenser, coupling, 470 mmf.....	60-10515307*
C405	Condenser, osc. plate, 220 mmf.....	60-10205307*
C406	Condenser, osc. grid, 100 mmf.....	60-10105407*
C407	Condenser, by-pass, .05 mf.....	61-0122*
LA400	Loop aerial	
R400	Resistor, ext. aerial loading,	
R401	Resistor, oscillator grid, 47,000 ohms.....	66-3473340*
R402	Resistor, cathode bias, 2200 ohms.....	66-2223340*
R403	Resistor, plate dropping, 18,000 ohms.....	66-3183340*
R404	Resistor, grid return, 2.2 megohms	66-5223340*
L400	Coil, oscillator	32-4019-6

MISCELLANEOUS

Description	Service Part No.
Bracket and clip (pilot light)	76-3177
Cabinet (less scale)	10676
Baffle and cloth	40-6922
Bezel, metal	56-4813
Bin mechanism (L. H.)	76-3223-2
Bin mechanism (R. H.)	76-3223-3
Dial scale	27-5969
Frame assembly	76-2199
Hinge	45-6200
Scale strap	56-4756
Tilt front	45-6394
Wood baffle	219080
Cable, pickup	41-3735-5
Dial-backplate assembly	
Drive cord (25-ft. spool)	45-8750*
Pointer	56-3583-3
Spring, pointer	28-9000
Knob	
Lamp bracket	56-2332
Pilot light assembly	27-6233
Socket, octal	27-6174
Socket, Loktal	27-6138*

REVISIONS AND ADDITIONS TO 48-1262

Reference Symbol	Description	Service Part No.
Parts List Additions		
	Resistor, crystal loading, 1 megohm	66-5103340*
Parts List Corrections		
R102	Resistor, leakage, 150,000 ohms	66-4153340*
W100	Line cord	L-2183
C205	Condenser, tone compensator, .03 mf.	45-3500-1
LS200	Loud-speaker	36-1626-1
C304	Condenser-and-choke assembly, .15 mf.	38-9851-5
C305	Condenser-and-choke assembly, .05 mf.	38-9851-4
R302	Resistor, grid load, 150,000 ohms	66-4153340*
C400	Condenser, tuning gang	31-2715-1
LA400	Loop aerial	76-3310
R400	Resistor, ext. aerial loading, 150,000 ohms	66-4153340*
	Dial-backplate assembly	76-3713
	Knob	54-4486

PRODUCTION CHANGES

NOTE: No changes were made in Code 121.

Code 122, Run 1

C200 Condenser was removed from circuit, and pickup cable shield was connected directly to B-.

Condenser, .01 mf., was connected in series with the low side of the crystal pickup and the phono-cable shield 61-0120*

Condenser, .05 mf., which formerly connected from changer to low side of crystal pickup was connected from changer to chassis ground.

Code 122, Run 2

Resistor R204 and the phono-cable shield were repositioned, to facilitate production.

Condenser C203 was wired directly to cathode of the 35L6GT tube, to reduce parasitic oscillations.

Code 122, Run 3

Resistor, crystal load, 1 megohm was removed.

Phono input socket was added.

A phono cable and plug assembly was added 27-6126

NOTE: The Model M-15 Album Length Record Player can be directly attached to this radio, after the above change is made. However, if the Philco Adapter Control Unit, Part No. 45-1594, is used, a permanent connection for both the standard record player and the Model M-15 is provided. Complete installation instructions are supplied with the Adapter Control Unit.