

# INSTRUCTIONS For TRANSITONE Model TH-1 STANDARD BROADCAST RECEIVER

## DESCRIPTION

Transitone Model TH1 is a 5-tube radio receiver designed for operation on alternating (A.C.) or direct (D.C.) current, 105 to 125 volts. It covers a frequency range of 550 kilocycles to 1720 kilocycles.

## INSTALLATION

**AERIAL:**—A 20 foot indoor aerial wire is provided with the receiver. Uncoil the wire and place around the baseboard moulding of the room or under the rug.

For best reception and greater convenience of installation, the Philco Utility Aerial, Part No. 45-2450 (obtainable from your Philco dealer), is recommended. This specially designed highly efficient aerial can be installed in a few minute's time by anyone. A convenient flexible lead-in is provided for connecting to the receiver.

If a regular outdoor type aerial is desired, we suggest the Philco "Radio Aerial," Part No. 45-2431. Follow carefully the instructions for installation accompanying the aerial, whichever type is used.

## PRELIMINARIES

Locate the radio at a suitable place in the room, with due consideration to convenience of operation, appearance, and handy connection to the aerial lead-in and electric supply outlet.

Remove all cardboard packing material, packing tags, etc., from the chassis.

Insert the electric plug into the nearest electric supply outlet. Be sure your power supply is of the correct voltage, as specified on the receiver name label in the cabinet. NOTE: If your house-current is DC and no sound is heard after the tubes are sufficiently heated, reverse the electric plug in the outlet. The same procedure is advised if your power supply is AC and a slight hum is observed with the volume turned low.

## OPERATING

Turn the "On-Off Switch and Volume Control" (left hand knob) to the right (clockwise) about half its range. This supplies power to the receiver and illuminates the dial. In a few moments the tubes will be sufficiently heated and the set ready to operate.

Now select the station or program desired by turning the Station Selector (right hand knob). The figures on the scale, by adding zero, become "kilocycles" (K.C.), as given in radio station lists. For example: a station having a frequency of 760 K.C. is tuned in at 76; one on 1170 KC at 117. After selecting the station, tune it in accurately, then adjust volume to suit your taste. Do NOT reduce volume by turning the "Station Selector" away from the station, as this will impair the tone.

## SERVICE

For the convenience of all radio owners, Philco has developed a plan for prompt, efficient radio service in every locality. This plan is known as "Radio Manufacturers Service." There is a member in your neighborhood—his shop or store can be identified by the emblem shown here. To make sure of guaranteed work, and standard prices—call a member of Radio Manufacturers Service.



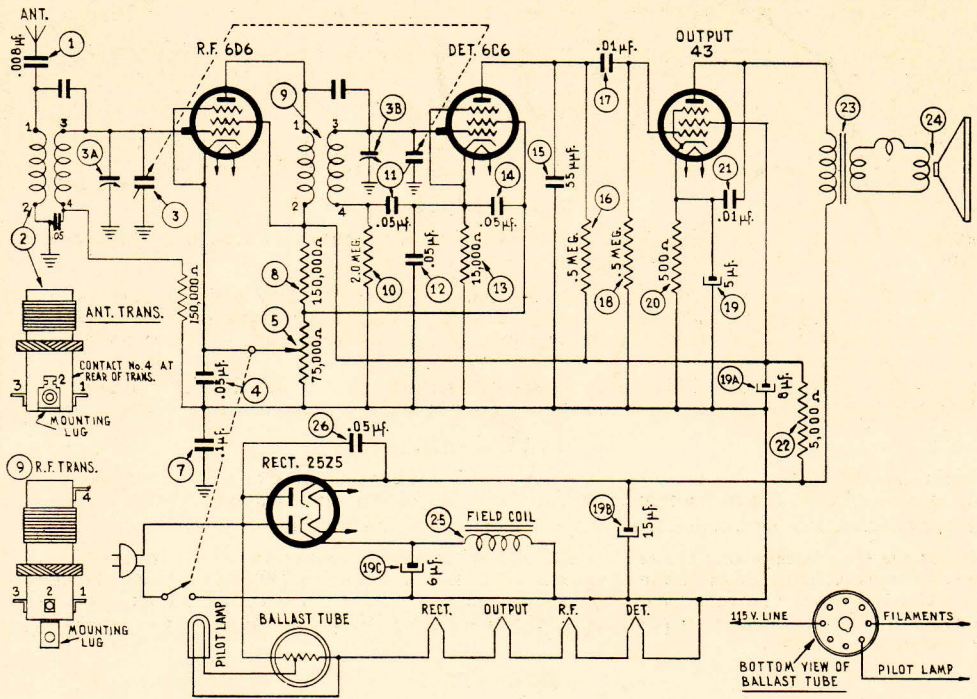
Look for this Emblem in  
your Neighborhood

## ALIGNMENT OF THE COMPENSATORS TRANSITONE HOME RADIO MODEL TH-1

In order to align the R.F. circuit of the receiver, an output meter, and signal generator will be required. With these instruments, the compensators should be adjusted as given below.

1. Connect an output meter to the plate and cathode terminals of the 43 tube.
2. The signal generator output lead is now connected to the aerial wire of the receiver through a 100 mmfd. condenser and the generator ground to a good ground connection. Then, turn the volume control to a full volume position.
3. Adjust the dial pointer as follows: Turn the tuning condenser to maximum capacity position. With the condenser in this position, the dial pointer should be  $\frac{1}{2}$  inch below the 550 K.C. mark of the dial and horizontal with the chassis.
4. Set the signal generator and receiver dial for 1500 K.C. and adjust padders 3A and 3B for maximum reading on the output meter.

# INSTRUCTIONS TRANSITONE--MODEL TH-1



## REPLACEMENT PARTS TRANSITONE HOME RADIO MODEL TH-1

| Schem. No. | Description               | Transitone Part No. | Schem. No. | Description               | Transitone Part No. |
|------------|---------------------------|---------------------|------------|---------------------------|---------------------|
| 1          | Condenser .006 mfd. 200 V | 32104               | 14         | Condenser .05 mfd. 200 V  | 32100               |
| 2          | Ant. Transformer          | 40168               | 15         | Condenser 55 mmfd         | 30115               |
| 3          | Tuning Condenser          | 33110               | 16         | Resistor .5 megohm        | 47101               |
| 4          | Condenser .05 mfd. 200 V  | 32100               | 17         | Condenser .01 mfd. 200 V  | 32102               |
| 5          | Volume Control            | 49115               | 18         | Resistor .5 megohm        | 47101               |
| 6          | Resistor 150,000 ohms     | 47100               | 19         | Electrolytic Condenser    | 31116               |
| 7          | Condenser .1 mfd. 200 V   | 32117               | 20         | Resistor 500 ohms         | 47155               |
| 8          | Resistor 150,000 ohms     | 47100               | 21         | Condenser .01 mfd. 400 V  | 32103               |
| 9          | R.F. Transformer          | 40169               | 22         | Resistor 5000 ohms        | 47105               |
| 10         | Resistor 150,000 ohms     | 47100               | 23         | Output Transformer        | 43118               |
| 11         | Condenser .05 mfd. 200 V  | 32100               | 24         | Speaker                   | 60110               |
| 12         | Condenser .05 mfd. 200 V  | 32100               | 25         | Field Coil                | Part of Spkr. Unit  |
| 13         | Resistor 15,000 ohms      | 47154               | 26         | Condenser .05 mfd. 400 V. | 32101               |

## WARRANTY

*We warrant each new Transitone Radio Receiver and Speaker to be free from defects in material and workmanship under normal use and service, our obligation under this warranty being limited to making good at our depot any part thereof which shall, within ninety (90) days after delivery of such Receiver to the original retail purchaser, be returned to our depot with transportation charge prepaid, and which our examination shall disclose to our satisfaction to have been thus defective; this warranty being expressly in lieu of all other warranties expressed or implied, and of all other obligations or liabilities on our part, and we neither assume nor authorize any representative or other person to assume for us any other liability in connection with the sale of Receivers or Speakers. This warranty shall not apply to any Receiver or Speaker which shall have been repaired or altered other than by us in any way so as, in our judgment, to affect its stability or reliability, nor which has been subject to misuse, negligence or accident, nor which has had the serial number altered, effaced or removed. Neither shall this warranty apply to any Receiver or Speaker which has been connected otherwise than in accordance with the instructions furnished by us.*