

# INSTRUCTIONS

## FOR INSTALLING AND OPERATING

# MODEL TH-3

## STANDARD BROADCAST RECEIVER

**Model TH-3** is a five tube superheterodyne radio receiver. It covers a frequency range from 540 to 1720 kilocycles (KC.).

The dial on this model is calibrated in both kilocycles (less the final zero) and meters, with meters appearing on the lower half of the dial.

The power rating of this receiver is marked on the name label inside the cabinet. Make sure that this rating corresponds with the power furnished your home.

### INSTALLATION

After unpacking the receiver make sure all the tubes are in their correct sockets, pressed firmly down, with the grid clips in place. A label inside the cabinet will show the relative location of the tubes.

For best reception and greatest convenience of installation, the Philco Utility Aerial, Part No. 40-6384 (obtainable from your Philco Dealer), is recommended. This specially designed highly efficient aerial can be installed in a few minutes by anyone. Connect the aerial lead-in to the white wire at the rear of the chassis by twisting the lead-in wire tightly around the exposed end of the white wire.

Make a ground connection from the black wire at the rear of the chassis to the nearest water or radiator pipe.

### OPERATION

#### On-Off Switch and Volume Control . . .

Turn the left hand knob clockwise until a click is heard and the dial is illuminated. Further rotation will increase the volume.

#### Station Selector . . .

To tune a station, turn the left hand knob to about half its total range, and select the station by rotating the right-hand knob.

For best tone, tune the desired station with the volume low. This enables you to get the exact point where the station comes in best. Then adjust volume to desired level with the volume control.

Some Police Stations may be tuned in above 1600 kilocycles.

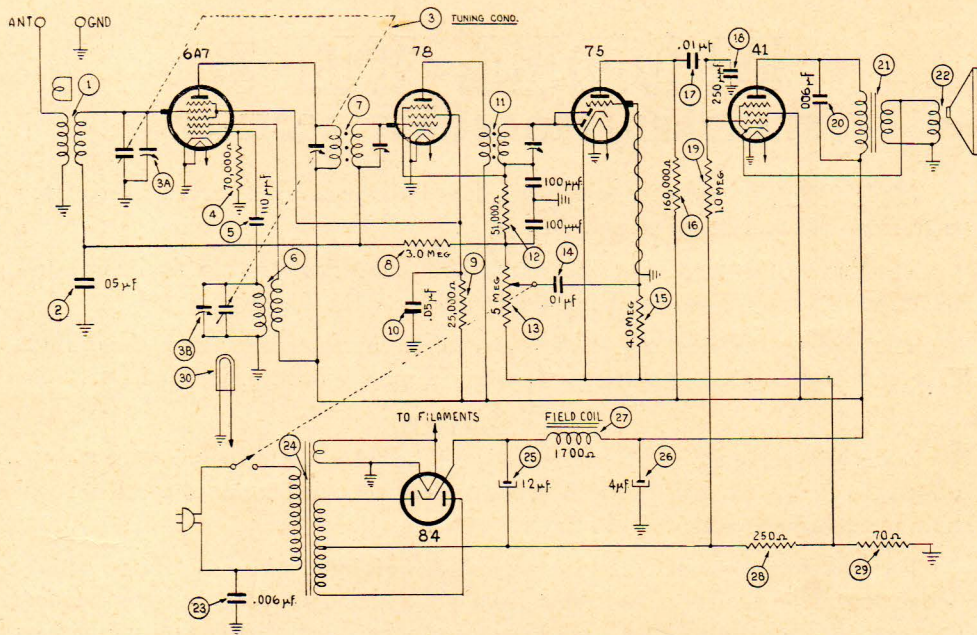
#### Service . . .

For the convenience of all radio owners, Philco has developed a plan for prompt, efficient radio service in every locality. This plan is known as "Radio Manufacturers Service." There is a member in your neighborhood — his shop or store can be identified by the emblem shown here. To make sure of guaranteed work, genuine Philco tubes and parts, and standard prices — call a member of "Radio Manufacturers Service."



Look for this Emblem in  
your Neighborhood

# INSTRUCTIONS FOR INSTALLING AND OPERATING MODEL TH-3



## REPLACEMENT PARTS TRANSITONE HOME RADIO MODEL TH-3

Schem No.	Description	Philco Part No.	Schem No.	Description	Philco Part No.
1	Antenna Transformer	32-2583	17	Condenser (.01 mf. tubular)	30-4169
2	Condenser (.05 mf. tubular)	30-4519	18	Condenser (250 mmf. mica)	30-1032
3	Tuning Condenser	31-2335	19	Resistor (1.0 meg., 1/2 watt)	33-510339
4	Resistor (70,000 ohms, 1/2 watt)	33-370339	20	Condenser (.006 mf. tubular)	30-4467
5	Condenser (110 mmf. mica)	30-1031	21	Output Transformer	
6	Oscillator Transformer	32-3021	22	Speaker Cone and Voice Coil Assembly	Part of Speaker 36-1461
7	1st I. F. Transformer	32-3120	23	Condenser (.006 mf. molded)	30-4423
8	Resistor (3.0 meg., 1/2 watt)	33-530339	24	Power Transformer	32-7979
9	Resistor (25,000 ohms, 1/2 watt)	33-325339	25	Electrolytic Condenser (12 mf.)	30-2327
10	Condenser (.05 mf. tubular)	30-4444	26	Electrolytic Condenser (4 mf.)	30-2328
11	2nd I. F. Transformer	32-2674	27	Field Coil	Part of Speaker 36-1461
12	Resistor (51,000 ohms, 1/2 watt)	33-351339	28	Resistor (250 ohms, 1/2 watt)	33-125339
13	Volume Control	33-5254	29	Resistor (70 ohms, 1/2 watt)	33-070339
14	Condenser (.01 mf. tubular)	30-4479	30	Pilot Lamp	34-2064
15	Resistor (4.0 meg., 1/2 watt)	33-540339			
16	Resistor (160,000 ohms, 1/2 watt)	33-416339			

## WARRANTY

We warrant each new Transitone Radio Receiver and Speaker to be free from defects in material and workmanship under normal use and service, our obligation under this warranty being limited to making good at our depot any part thereof which shall, within ninety (90) days after delivery of such Receiver to the original retail purchaser, be returned to our depot with transportation charge prepaid, and which our examination shall disclose to our satisfaction to have been thus defective; this warranty being expressly in lieu of all other warranties expressed or implied, and of all other obligations or liabilities on our part, and we neither assume nor authorize any representative or other person to assume for us any other liability in connection with the sale of Receivers or Speakers. This warranty shall not apply to any Receiver or Speaker which shall have been repaired or altered other than by us in any way so as, in our judgment, to affect its stability or reliability, nor which has been subject to misuse, negligence or accident, nor which has had the serial number altered, effaced or removed. Neither shall this warranty apply to any Receiver or Speaker which has been connected otherwise than in accordance with the instructions furnished by us.