

# PHILCO TRANSITONE SERVICE BROADCAST

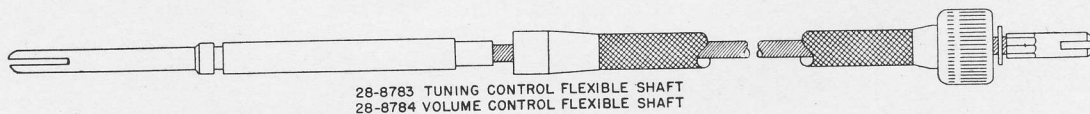
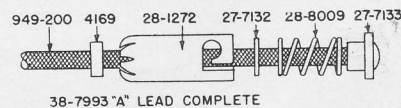
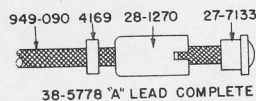
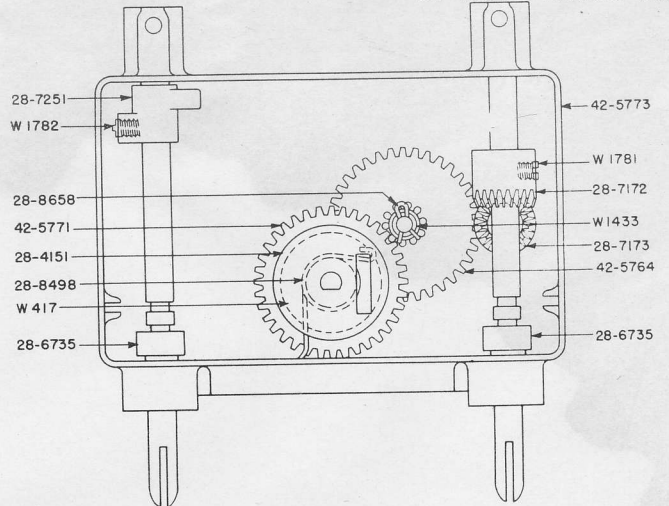
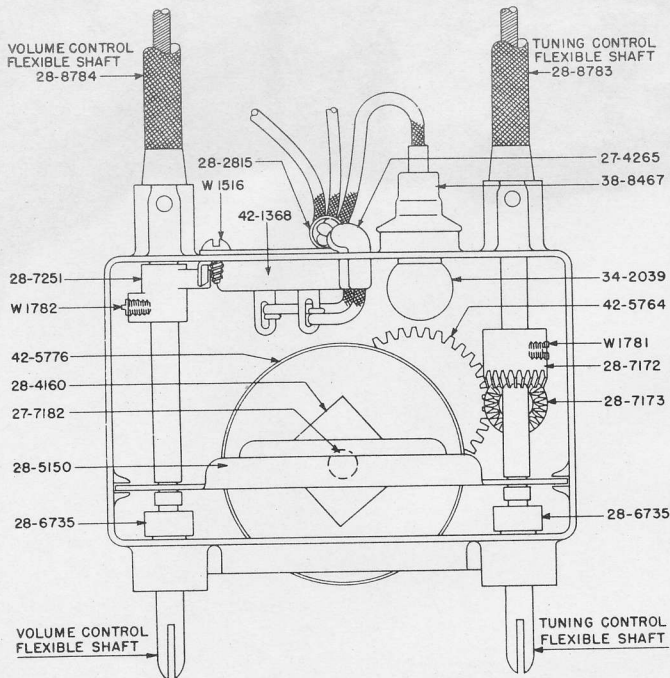
BULLETIN 6 D-1257

Date: 7-20-38

APRIL 25, 1938

## PACKARD MODEL P-1517 CONTROL UNIT

File in--Philco Section  
of Auto Radio Manual



### PARTS LIST AND PRICES (Prices Subject to Change Without Notice)

PART NUMBER	DESCRIPTION	LIST PRICE	PART NUMBER	DESCRIPTION	LIST PRICE
W-417	Washer	per 100 \$ .50	28-7172	Miter Drive Gear	.10
W-1433	Washer	per 100 .15	28-7173	Miter Gear	.10
W-1516	Screw	per 100 1.30	28-7182	Felt Washer	per 100 .30
W-1781	Set Screw	per 100 2.00	28-7251	Switch Lever	.15
W-1782	Set Screw	per 100 2.50	28-7264	Knob Base	.20
4169	Washer	per 100 1.20	28-8009	Spring	per 100 .50
27-4265	Sleeve	per 100 1.25	28-8498	Anti Back Lash Spring	.10
27-4688	Tuning and Volume Knob	.20	28-8658	Spring	.03
27-7132	Washer	per 100 .40	28-8783	Tuning Control Flex. Shaft	1.00
27-7133	Ferrule	.01	28-8784	Volume Control Flex. Shaft	1.00
28-1270	Housing	.85	34-2039	Pilot Lamp	.09
28-1272	Housing	.85	38-5778	"A" Lead	.10
28-2815	Clamp	.01	38-7993	"A" Lead	.20
28-4151	Washer	.02	38-8467	Pilot Lamp Assembly	.30
28-4160	Spring	.01	42-1368	On-Off Switch	.35
28-5149	Cover	.10	42-5764	Intermediate Gear Assembly	.20
28-5150	Shaft Retaining Plate	.05	42-5771	Drum Shaft and Gear Assembly	.15
28-6735	Bushing	*	42-5773	Housing and Stud Assembly	.85
28-6773	Gland Nut	.15	42-5776	Dial Assembly	.35

\* Prices not available at this time.

Printed in U. S. A.

# PHILCO TRANSITONE SERVICE BROADCAST

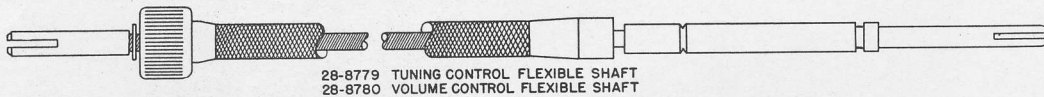
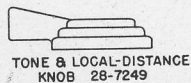
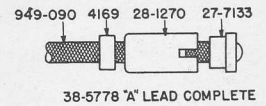
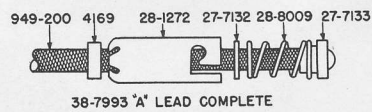
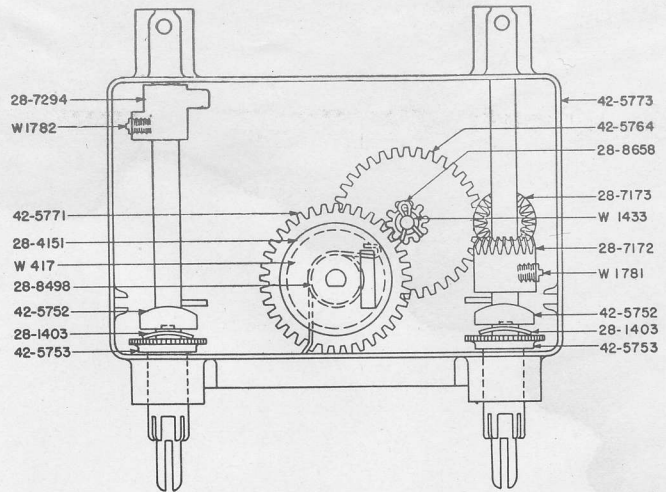
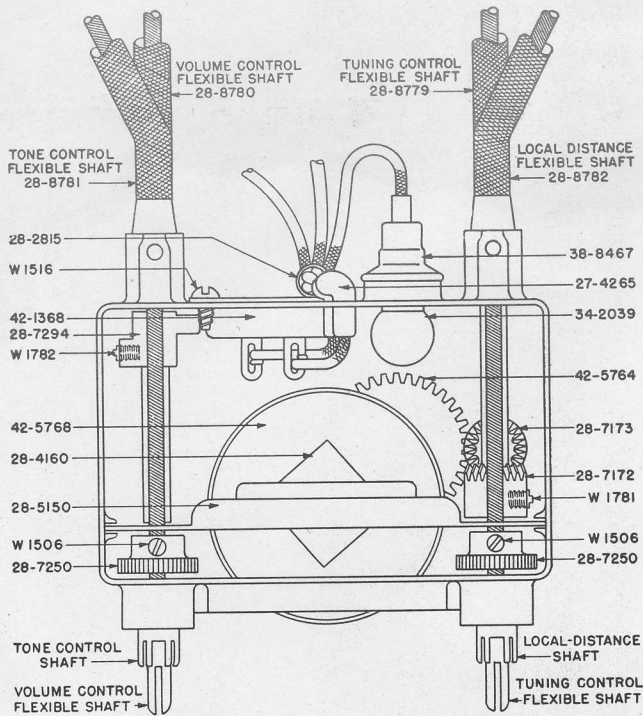
BULLETIN 6 D-1258

Date: 7-20-38

APRIL, 1938

## PACKARD MODEL P-1530 CONTROL UNIT

File in--Philco Section  
of Auto Radio Manual



### PARTS LIST AND PRICES (Prices Subject to Change Without Notice)

PART NUMBER	DESCRIPTION	LIST PRICE	PART NUMBER	DESCRIPTION	LIST PRICE
W-417	Washer	per 100 .50	28-7249	Tone and Local Distance Knob	.20
W-1433	Washer	per 100 .15	28-7250	Gear	.10
W 1506	Set Screw	per 100 1.60	28-7294	Switch Lever	.15
W-1516	Screw	per 100 1.30	28-8009	Spring	per 100 .50
W-1781	Set Screw	per 100 2.00	28-8498	Anti Back Lash Spring	.10
W-1782	Set Screw	per 100 2.50	28-8658	Spring	.03
4169	Washer	per 100 1.20	28-8779	Tuning Control Flexible Shaft	1.00
27-4265	Sleeve	per 100 1.25	28-8780	Volume Control Flexible Shaft	.90
27-4688	Tuning and Volume Knob	.20	28-8781	Tone Control Flexible Shaft	.90
27-7132	Washer	per 100 .40	28-8782	Local Distance Control Flexible Shaft	1.00
27-7133	Ferrule	.01	34-2039	Pilot Lamp	.09
27-7182	Felt Washer	per 100 .30	38-5778	"A" Lead	.10
27-9024	Washer	per 100 .40	38-7993	"A" Lead	.20
28-1270	Housing	.01	38-8467	Pilot Lamp Assembly	.30
28-1272	Housing	per 100 .85	42-1368	On-Off Switch	.35
28-1403	Spring Washer	per 100 1.25	42-5752	Retainer and Sleeve Assembly	.15
28-2815	Clamp	.01	42-5753	Gear and Sleeve Assembly	.20
28-4151	Washer	.02	42-5764	Intermediate Gear Assembly	.20
28-4160	Spring	.01	42-5768	Dial Assembly	.35
28-5149	Cover	.10	42-5771	Drum Shaft and Gear Assembly	.15
28-5150	Shaft Retainer Plate	.05	42-5773	Housing and Stud Assembly	.85
28-6684	Gland Nut	.10			
28-7172	Miter Drive Gear	.10			
28-7173	Miter Gear	.10			

# PHILCO TRANSITONE SERVICE BROADCAST

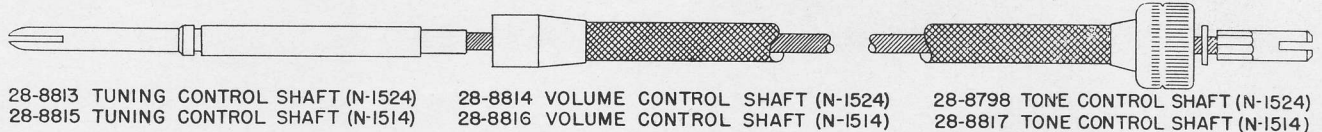
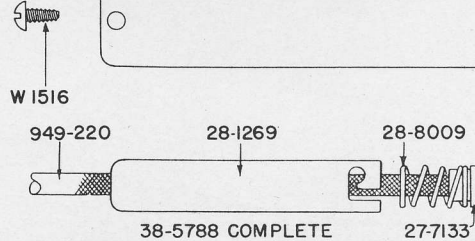
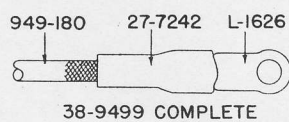
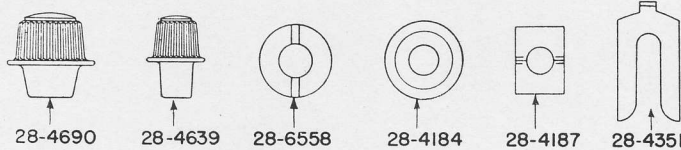
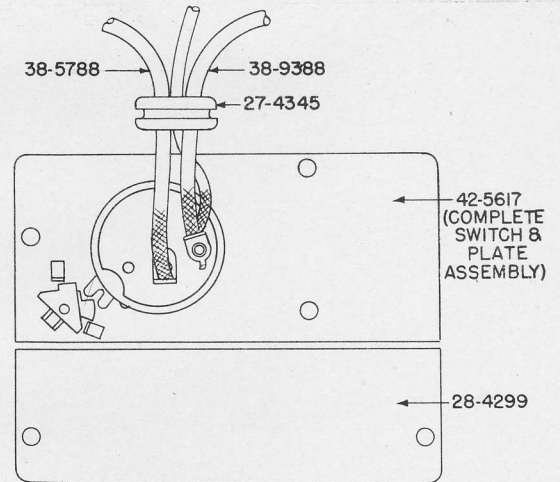
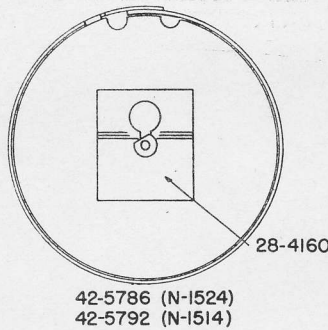
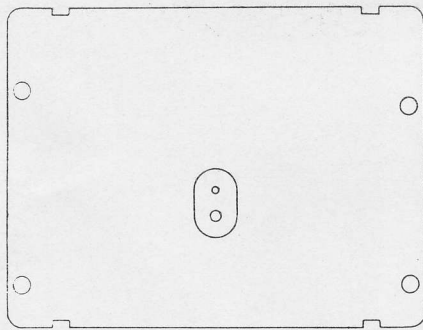
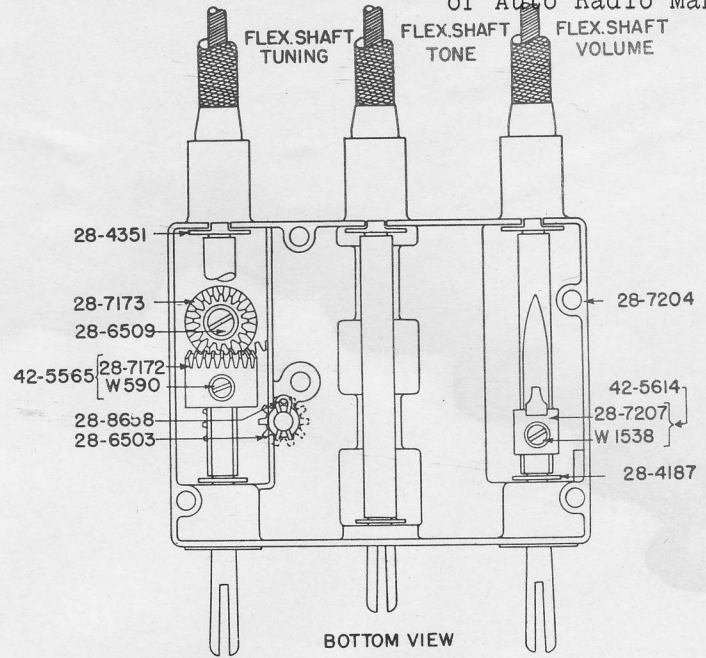
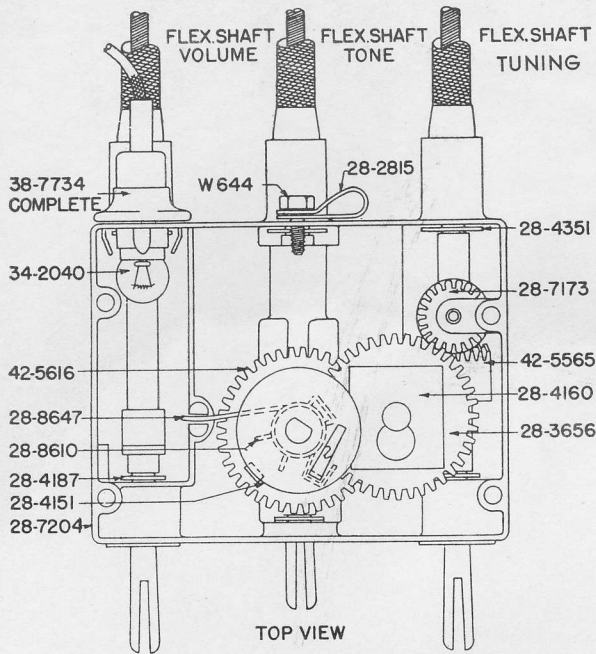
BULLETIN 6 D-1259

Date: 7-20-38

APRIL 15, 1938

## NASH CONTROLS — MODELS N-1514 — N-1524

File in--Philco Section  
of Auto Radio Manual



### PARTS LIST AND PRICES (Prices Subject to Change Without Notice)

Part No.	Description	List Price	Part No.	Description	List Price	Part No.	Description	List Price
L-1626	Lug	.02	28-4299	Cover	.03	28-8798	Tone Shaft (N-1524)	1.00
W-590	Screw	per 100 2.00	28-4351	Shaft Retainer	.01	28-8813	Tuning Shaft (N-1524)	1.00
W-644	Screw	per 100 1.50	28-4373	Cover	.10	28-8814	Volume Shaft (N-1524)	1.00
W-1516	Screw	per 100 1.30	28-4639	Tone Knob	*	28-8815	Tuning Shaft (N-1514)	1.00
W-1538	Screw	per 100 1.80	28-4690	Tuning & Volume Knob	*	28-8816	Volume Shaft (N-1514)	1.00
27-4345	Grommet	.02	28-6503	Gear	.05	28-8817	Tone Shaft (N-1514)	1.00
27-7133	Terminal	.01	28-6509	Screw	.03	34-2040	Pilot Lamp	.09
27-7242	Sleeve	per 100 .40	28-6558	Gland Nut	.25	38-5788	"A" Lead	*
28-1269	Fuse Housing	.01	28-7172	Miter Gear	.10	38-7734	Pilot Lamp Assembly	.35
28-2650	Washer	per 100 .45	28-7173	Miter Idler Gear	.10	38-9388	"A" Lead	.20
28-2815	Clamp	.01	28-7204	Housing	.50	42-5565	Miter Gear Assembly	.15
28-3656	Gear	.02	28-7207	Switch Arm	.05	42-5614	Switch Arm Assembly	.15
28-4151	Friction Washer	.02	28-8009	Spring	per 100 .03	42-5616	Drum Shaft & Gear	.10
28-4160	Spring	.01	28-8610	Spring	.03	42-5617	On-Off Switch	.40
28-4184	Knob Base	.02	28-8647	Anti-back Lash Spring	.02	42-5786	Dial Assembly (N-1524)	.35
28-4187	Washer	.01	28-8658	Spring	.03	42-5792	Dial Assembly (N-1514)	.40

\* Prices not available at this time.  
GO:6,6S,6PM,6:1,31,43,72:6

PHILCO TRANSITONE

Printed in U. S. A.