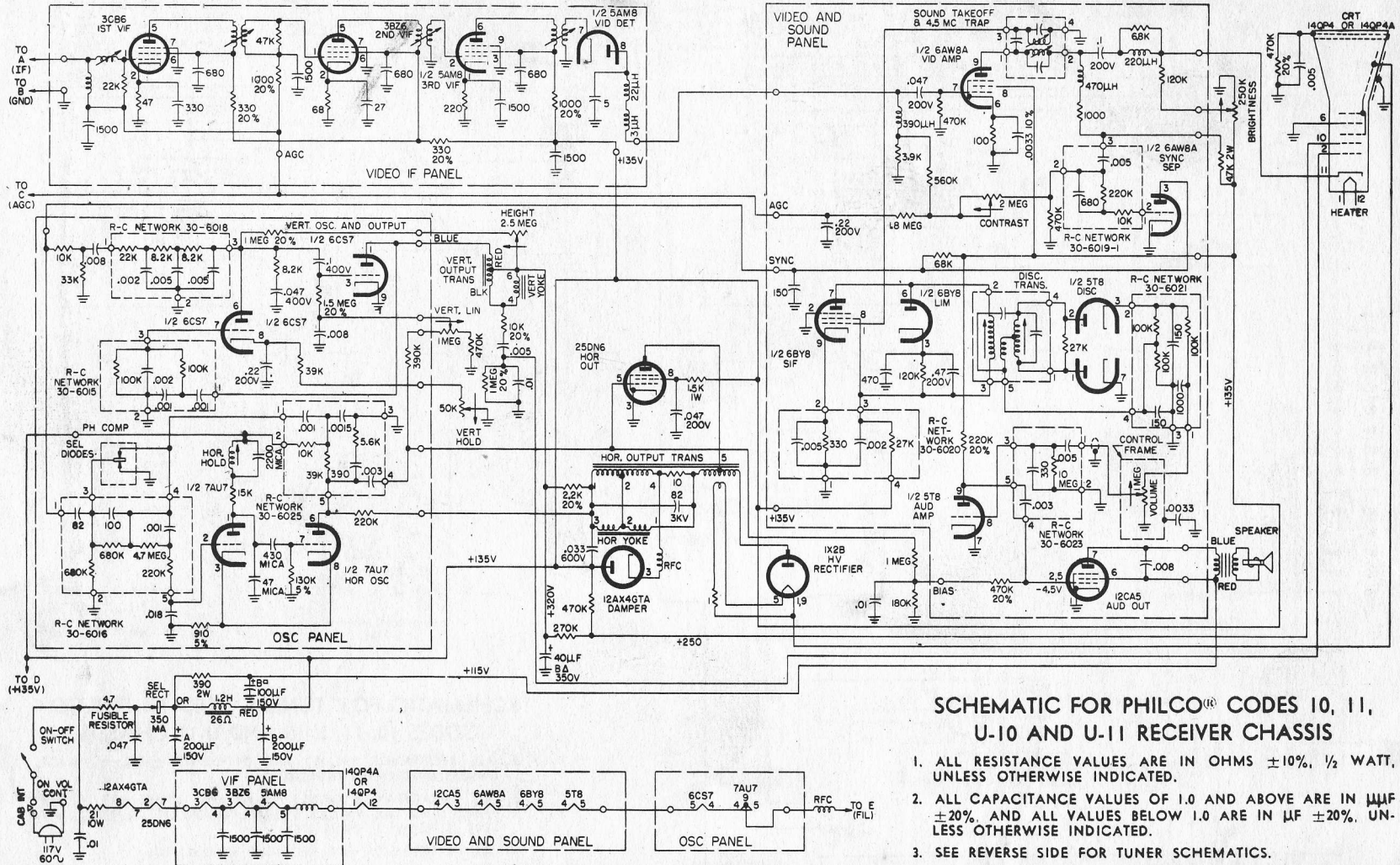


PRELIMINARY SCHEMATIC

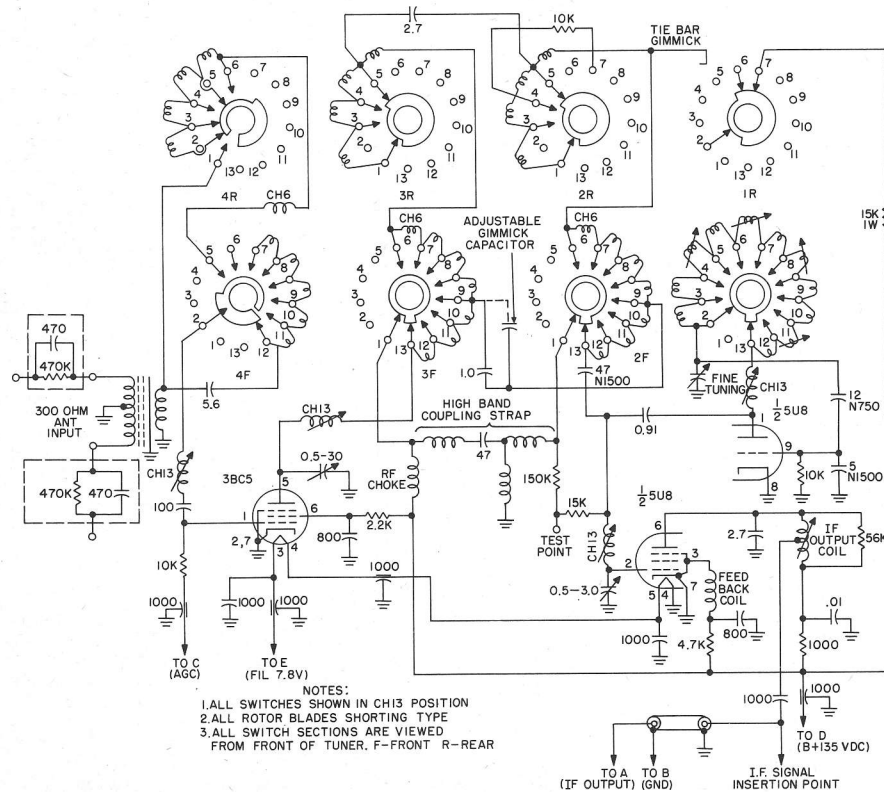
FOR SERVICE TECHNICIANS ONLY



SCHEMATIC FOR PHILCO (R) CODES 10, 11, U-10 AND U-11 RECEIVER CHASSIS

1. ALL RESISTANCE VALUES ARE IN OHMS $\pm 10\%$, $\frac{1}{2}$ WATT, UNLESS OTHERWISE INDICATED.
2. ALL CAPACITANCE VALUES OF 1.0 AND ABOVE ARE IN μF $\pm 20\%$, AND ALL VALUES BELOW 1.0 ARE IN μF $\pm 20\%$, UNLESS OTHERWISE INDICATED.
3. SEE REVERSE SIDE FOR TUNER SCHEMATICS.

PRELIMINARY SCHEMATIC FOR SERVICE TECHNICIANS ONLY



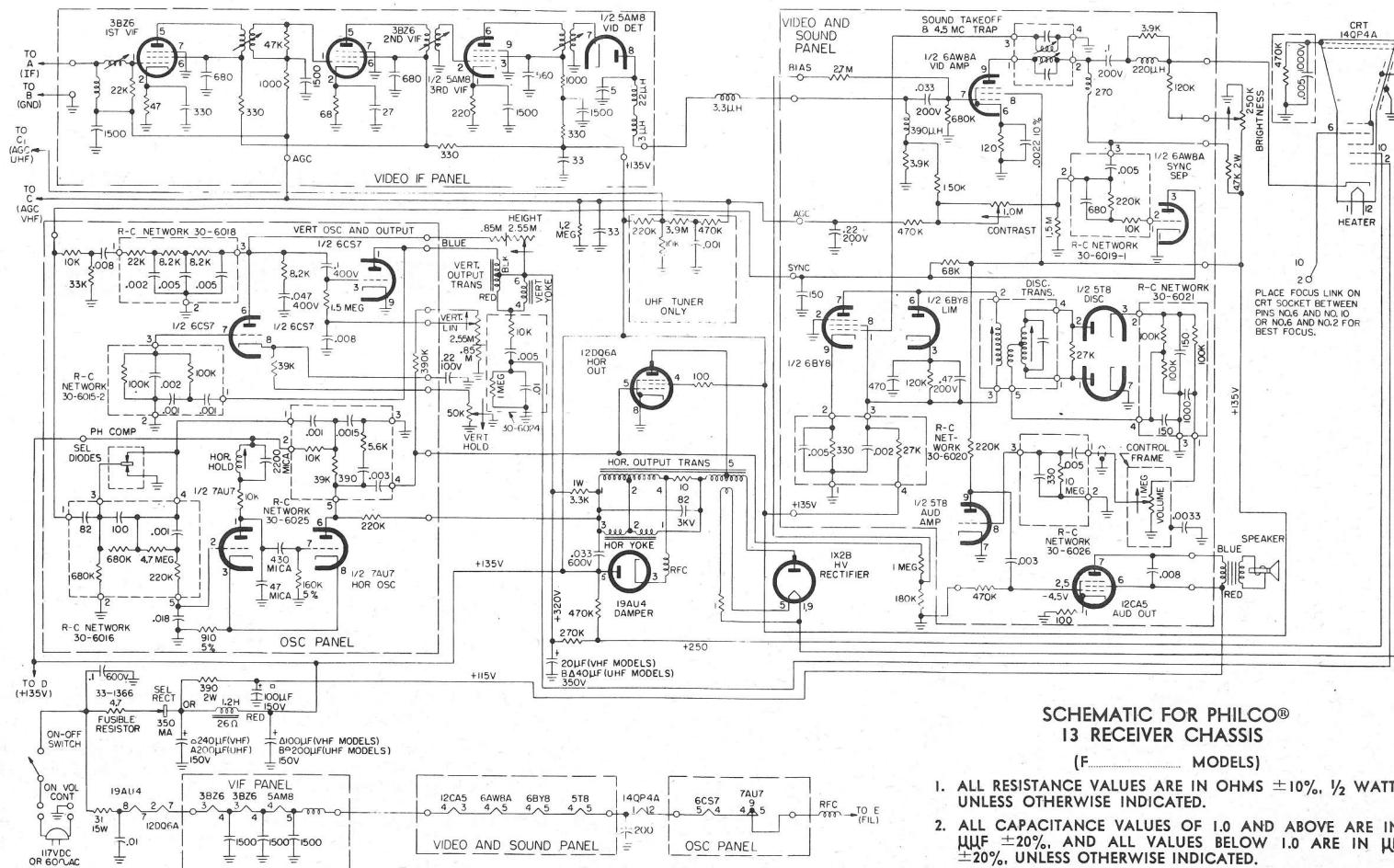
SCHEMATIC FOR TUNER USED IN PHILCO® 13 CHASSIS

(F..... MODELS)

1. ALL RESISTANCE VALUES ARE IN OHMS $\pm 10\%$. $\frac{1}{2}$ WATT, UNLESS OTHERWISE INDICATED.
2. ALL CAPACITANCE VALUES OF 1.0 AND ABOVE ARE IN $\mu\mu\text{F}$ $\pm 20\%$, AND ALL VALUES BELOW 1.0 ARE IN μF $\pm 20\%$, UNLESS OTHERWISE INDICATED.
3. SEE REVERSE SIDE FOR RECEIVER SCHEMATIC.

PRELIMINARY SCHEMATIC

FOR SERVICE TECHNICIANS ONLY



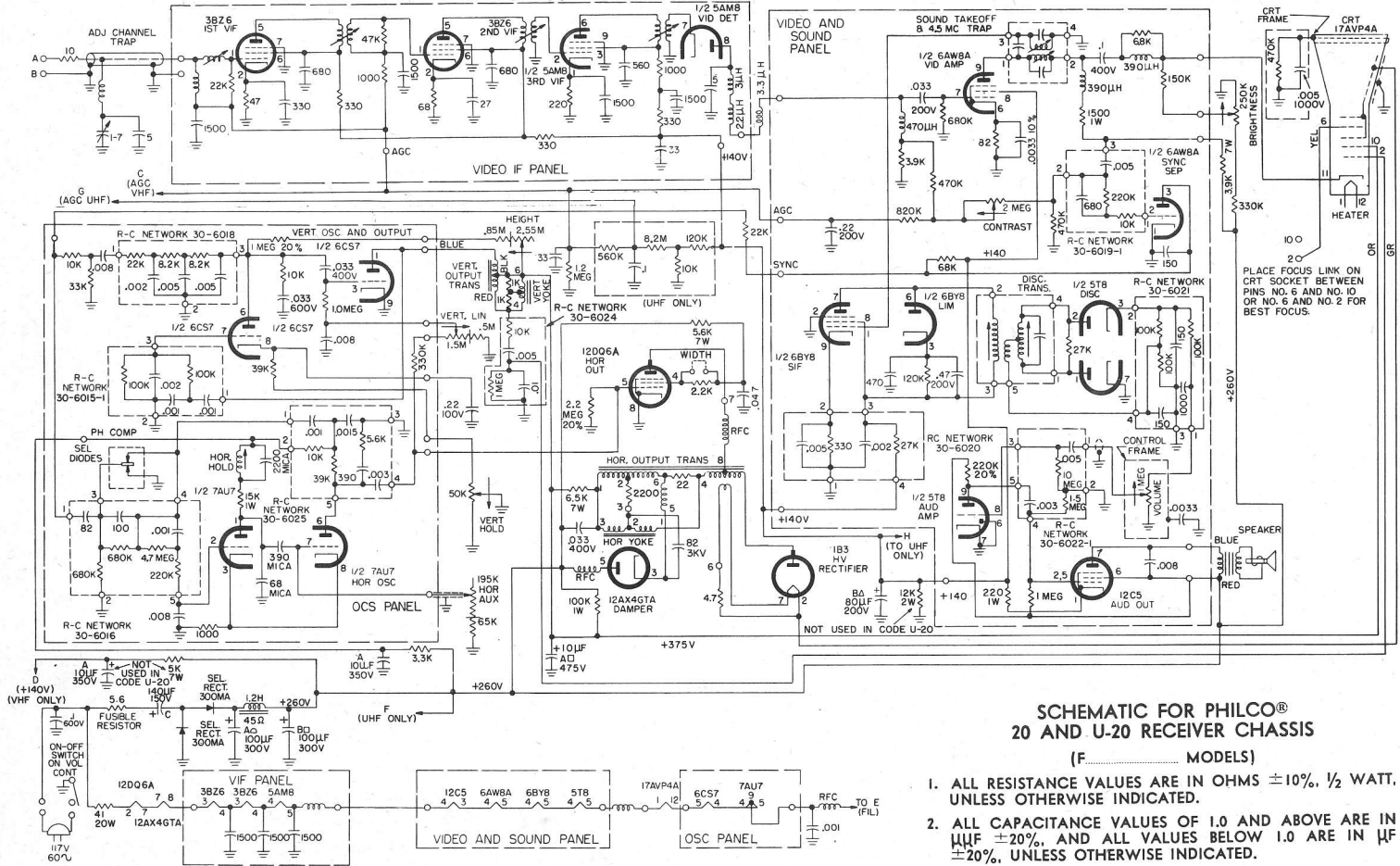
SCHEMATIC FOR PHILCO® 13 RECEIVER CHASSIS

(F..... MODELS)

1. ALL RESISTANCE VALUES ARE IN OHMS $\pm 10\%$, $\frac{1}{2}$ WATT, UNLESS OTHERWISE INDICATED.
2. ALL CAPACITANCE VALUES OF 1.0 AND ABOVE ARE IN $\mu\text{F} \pm 20\%$, AND ALL VALUES BELOW 1.0 ARE IN $\mu\text{F} \pm 20\%$, UNLESS OTHERWISE INDICATED.
3. SEE REVERSE SIDE FOR TUNER SCHEMATIC.

PRELIMINARY SCHEMATIC

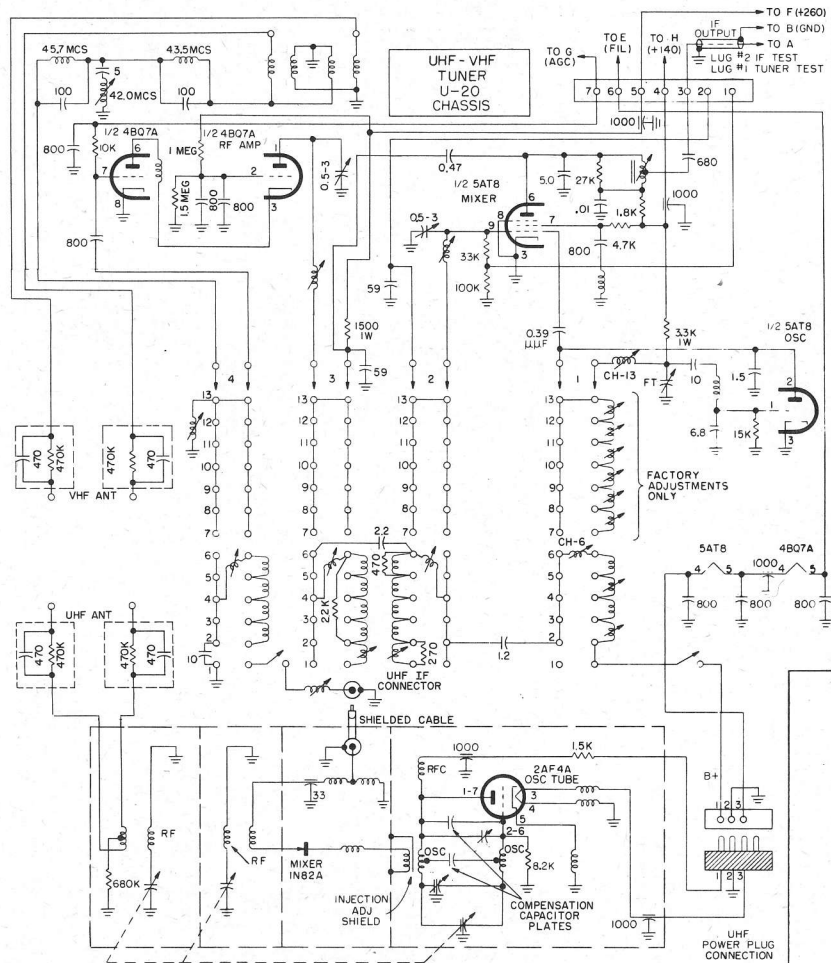
FOR SERVICE TECHNICIANS ONLY



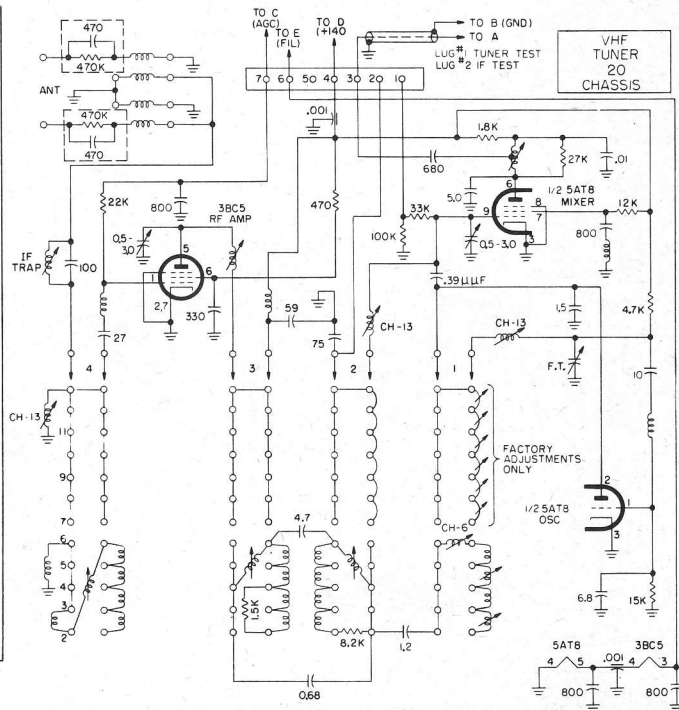
**SCHEMATIC FOR PHILCO®
20 AND U-20 RECEIVER CHASSIS**
(F..... MODELS)

1. ALL RESISTANCE VALUES ARE IN OHMS $\pm 10\%$, 1/2 WATT, UNLESS OTHERWISE INDICATED.
2. ALL CAPACITANCE VALUES OF 1.0 AND ABOVE ARE IN μUF $\pm 20\%$, AND ALL VALUES BELOW 1.0 ARE IN μF $\pm 20\%$, UNLESS OTHERWISE INDICATED.
3. SEE REVERSE SIDE FOR TUNER SCHEMATIC.

PRELIMINARY SCHEMATIC



FOR SERVICE TECHNICIANS ONLY

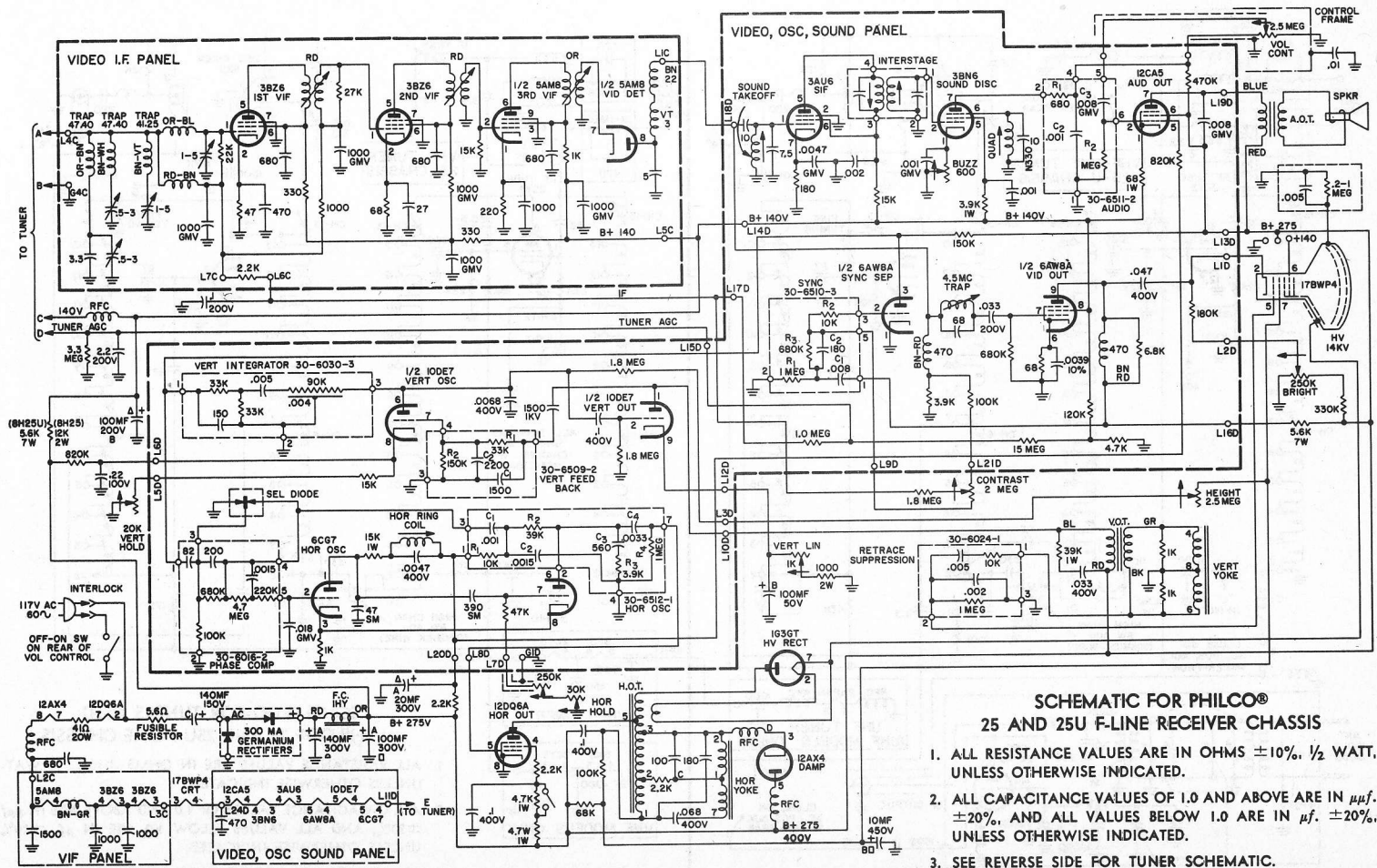


SCHEMATIC FOR TUNERS USED IN PHILCO®
20 AND U-20 CHASSIS
(F..... MODELS)

1. ALL RESISTANCE VALUES ARE IN OHMS $\pm 10\%$, $\frac{1}{2}$ WATT, UNLESS OTHERWISE INDICATED.
2. ALL CAPACITANCE VALUES OF 1.0 AND ABOVE ARE IN μUF $\pm 20\%$, AND ALL VALUES BELOW 1.0 ARE IN μF $\pm 20\%$, UNLESS OTHERWISE INDICATED.
3. SEE REVERSE SIDE FOR RECEIVER SCHEMATIC.

PRELIMINARY SCHEMATIC

FOR SERVICE TECHNICIANS ONLY

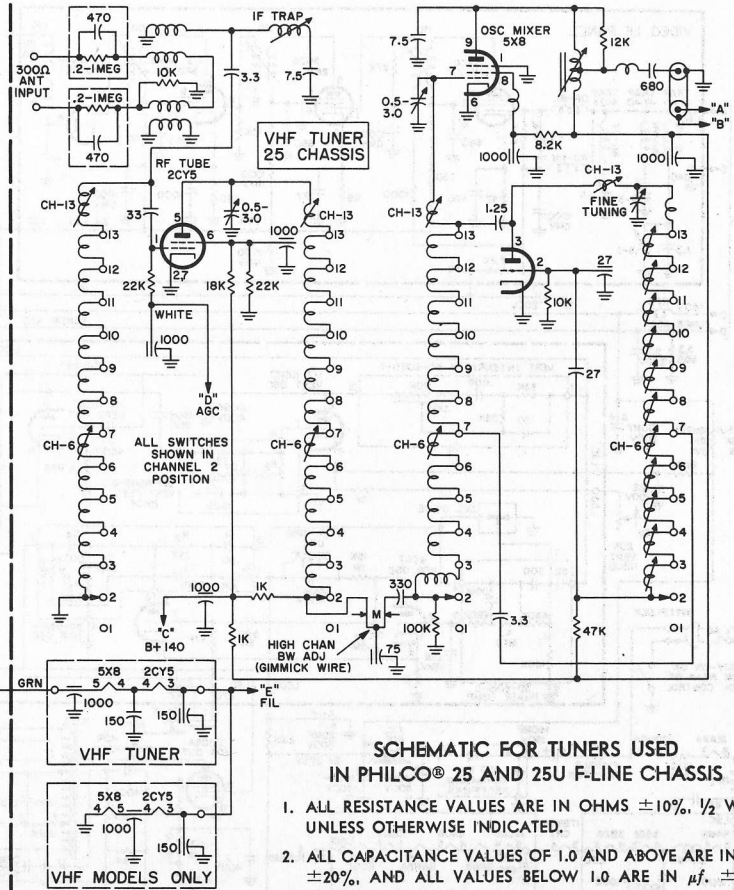
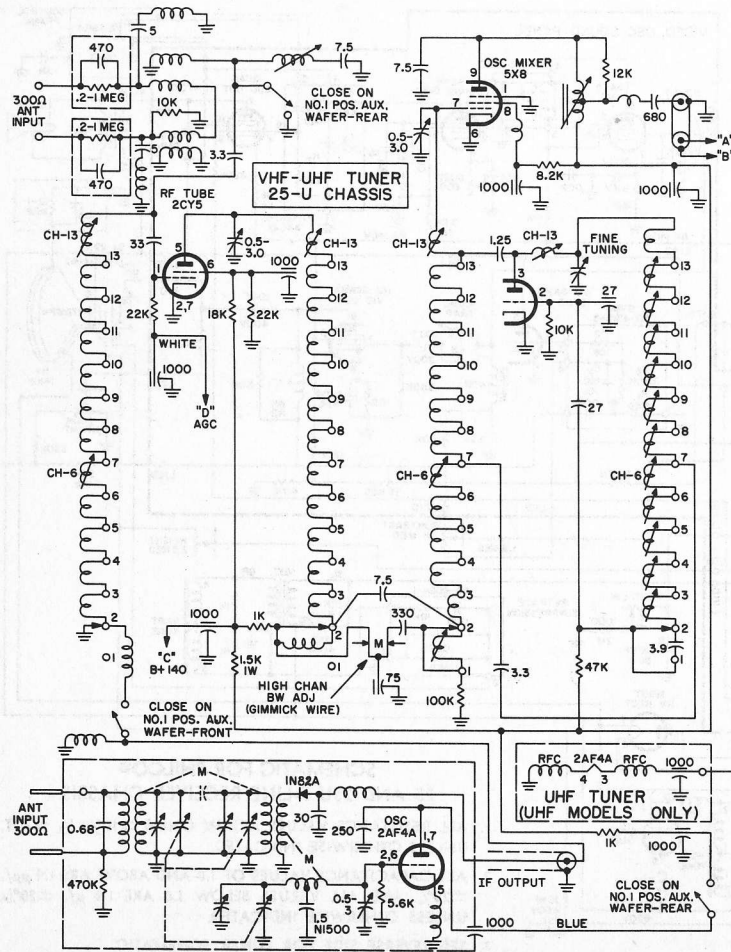


**SCHEMATIC FOR PHILCO®
25 AND 25U F-LINE RECEIVER CHASSIS**

1. ALL RESISTANCE VALUES ARE IN OHMS $\pm 10\%$, $\frac{1}{2}$ WATT, UNLESS OTHERWISE INDICATED.
2. ALL CAPACITANCE VALUES OF 1.0 AND ABOVE ARE IN $\mu\text{f.}$ $\pm 20\%$, AND ALL VALUES BELOW 1.0 ARE IN $\mu\text{f.}$ $\pm 20\%$, UNLESS OTHERWISE INDICATED.
3. SEE REVERSE SIDE FOR TUNER SCHEMATIC.

PRELIMINARY SCHEMATIC

FOR SERVICE TECHNICIANS ONLY



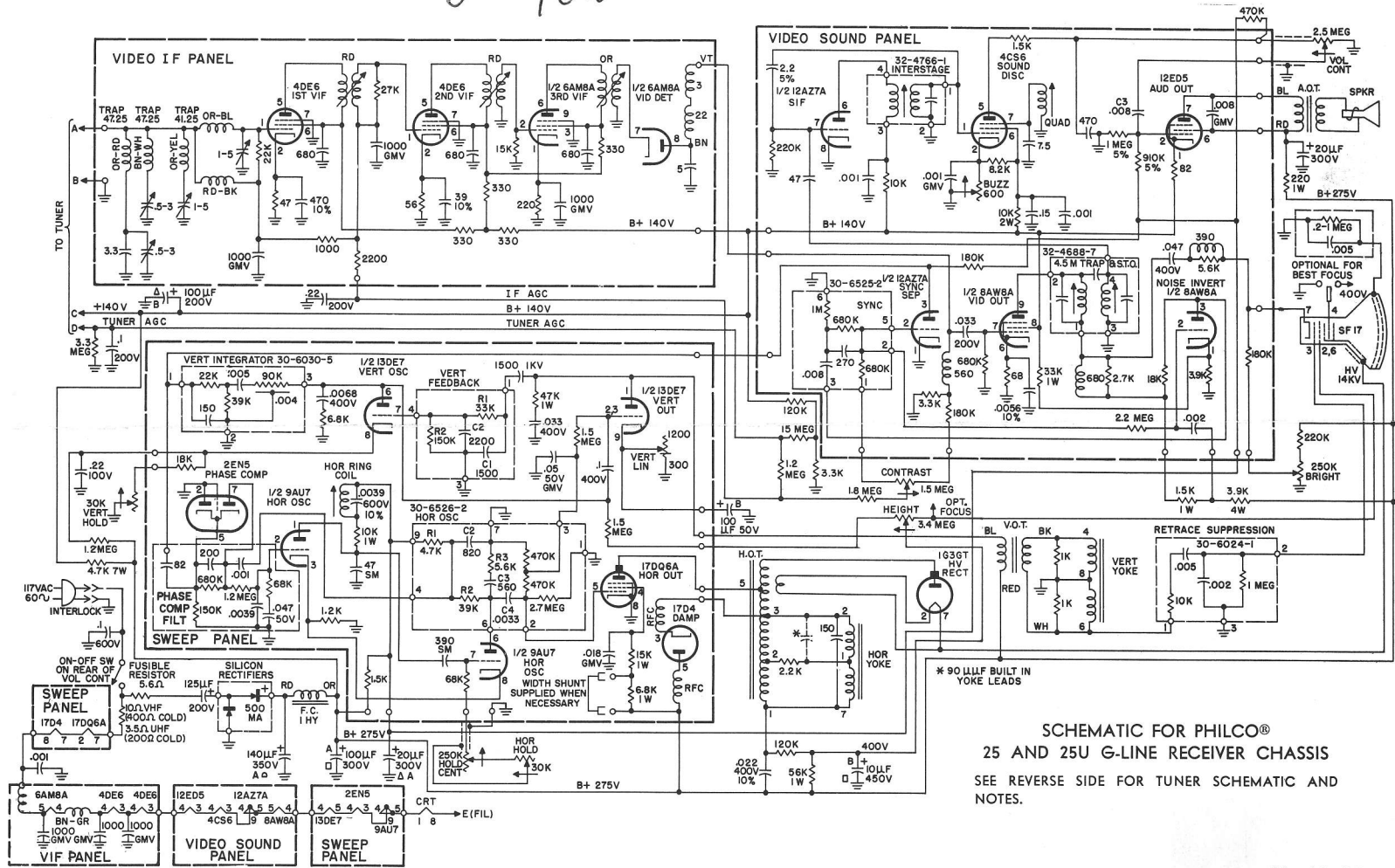
**SCHEMATIC FOR TUNERS USED
IN PHILCO® 25 AND 25U F-LINE CHASSIS**

1. ALL RESISTANCE VALUES ARE IN OHMS $\pm 10\%$, $\frac{1}{2}$ WATT, UNLESS OTHERWISE INDICATED.
2. ALL CAPACITANCE VALUES OF 1.0 AND ABOVE ARE IN $\mu\text{f.}$ $\pm 20\%$, AND ALL VALUES BELOW 1.0 ARE IN $\mu\text{f.}$ $\pm 20\%$, UNLESS OTHERWISE INDICATED.
3. SEE REVERSE SIDE FOR RECEIVER SCHEMATIC.

PRELIMINARY SCHEMATIC

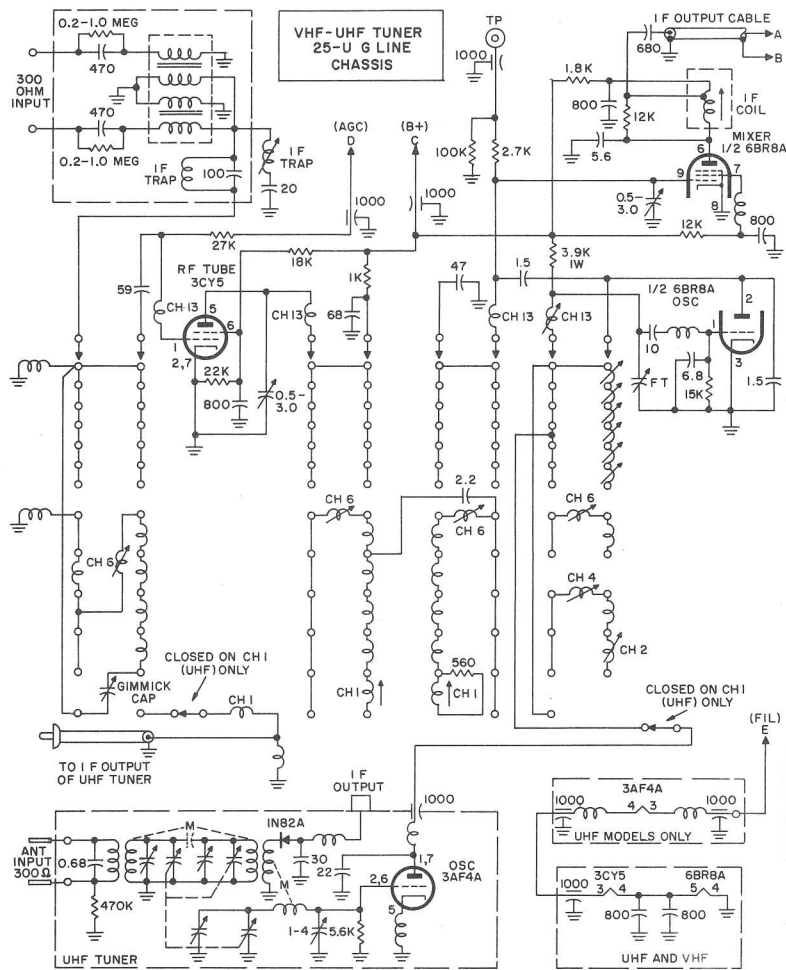
59 PORTABLE

FOR SERVICE TECHNICIANS ONLY

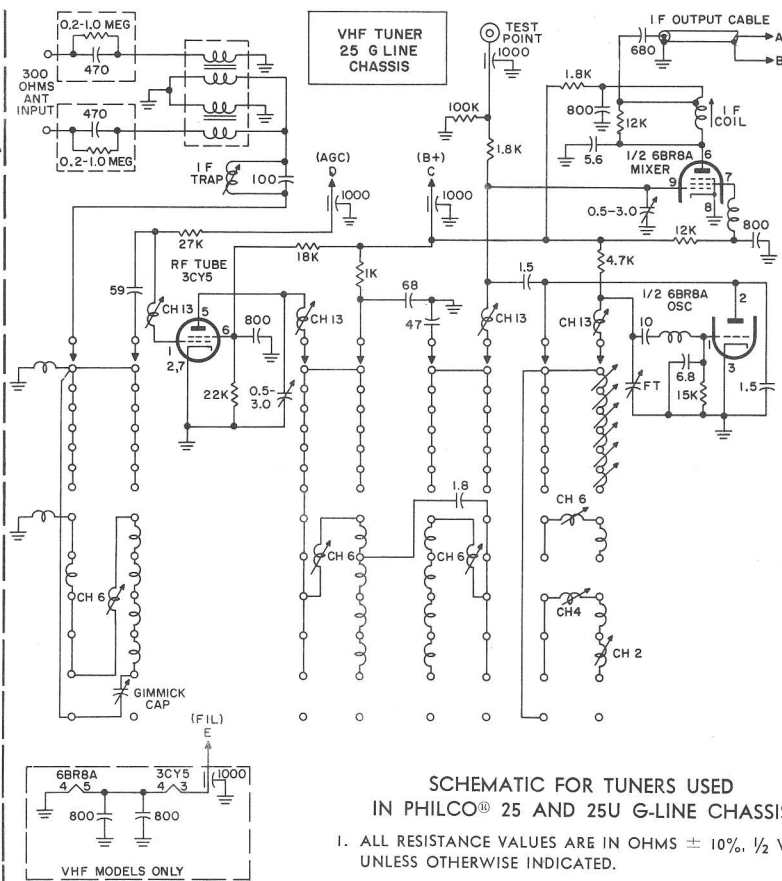


SCHEMATIC FOR PHILCO®
25 AND 25U G-LINE RECEIVER CHASSIS
SEE REVERSE SIDE FOR TUNER SCHEMATIC AND NOTES.

PRELIMINARY SCHEMATIC



FOR SERVICE TECHNICIANS ONLY



SCHEMATIC FOR TUNERS USED IN PHILCO® 25 AND 25U G-LINE CHASSIS

1. ALL RESISTANCE VALUES ARE IN OHMS $\pm 10\%$, $\frac{1}{2}$ WATT, UNLESS OTHERWISE INDICATED.
2. ALL CAPACITANCE VALUES OF 1.0 AND ABOVE ARE IN $\mu\text{f.}$ $\pm 20\%$, AND ALL VALUES BELOW 1.0 ARE IN $\mu\text{f.}$ $\pm 20\%$, UNLESS OTHERWISE INDICATED.
3. SEE REVERSE SIDE FOR RECEIVER SCHEMATIC.