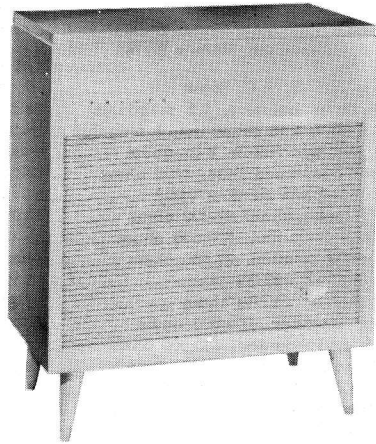


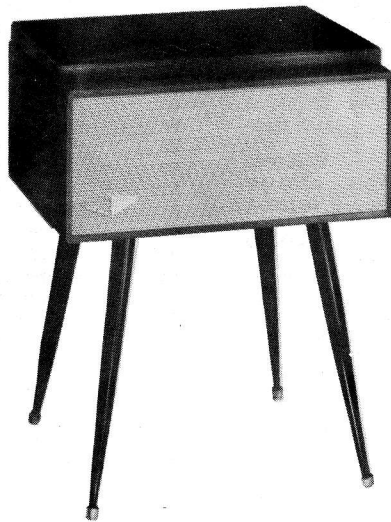
SERVICE MANUAL



MODELS E-1363, E-1763 and E-1765



Model E-1763



Model E-1363



Model E-1765

SPECIFICATIONS

Cabinet — E-1363—wood console, Mahogany and Blonde
 E-1763—wood console, Mahogany and Blonde
 E-1765—wood console, Mahogany, Blonde, Fruitwood and Teakwood

Circuit — Three tube amplifier plus rectifier. Bass and treble controls. Input provided for external tuner.

Audio Output — E-1363—8 watts
 E-1763 & E-1765—10 watts

Operating Voltage — 105 to 125 volts, 60 cycles, A.C.

Power Consumption — 85 watts at 117 volts line.

Record Changer — "Micro-Mix, 4-speed (78, 45,

33-1/3 & 16-2/3 RPM)
 Automatic Record Changer, Model M-39 (type 35-1535)
 For service information refer to PR-3056.

Speakers — E-1363—8" PM, 6" acoustic resonator ("boomgate") and an electrostatic speaker.
 E-1763—8" PM, and an electrostatic speaker.
 E-1765—10" PM and an electrostatic speaker.

Philco Tubes — 12AX7 — 1st audio and tone circuits, 6V6GT (2) — long-tailed pair audio output (E-1363 uses a pair of 6K6GT's) and a 5Y3GT — rectifier.

SERVICE HINTS

The Philco phonographs, models E-1363, E-1763 and E-1765, provide High Fidelity reproduction of recorded sound. This is the result of careful design and good production methods. The range of frequencies needed to provide High Fidelity is much broader than that achieved in most amplifiers, and for that reason the circuits in this model have been given careful consideration. To maintain this high-quality reproduction, it is necessary

that any repair and maintenance work performed on the amplifier keep the circuit specifications the same as when produced. This can be accomplished by using replacement parts as indicated in the replacement parts list, and by following careful repair techniques. The use of parts different from those specified and careless repair techniques may easily result in loss of reproduction quality and, therefore, customer dissatisfaction.

MODELS E-1363 E-1763 AND E-1765 PR-3077

PHILCO HI-FIDELITY PHONOGRAPH

PHILCO HI-FIDELITY PHONOGRAPH MODELS E-1363, E-1763, E-1765

PR-3077

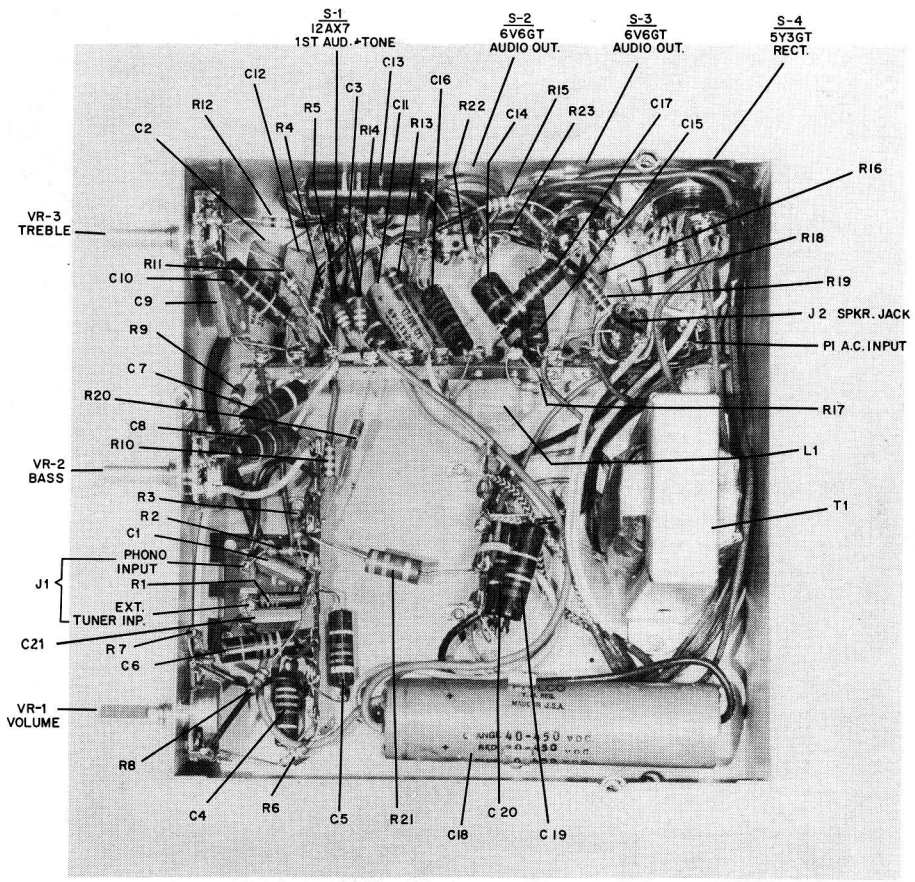
PUNCH HERE

PUNCH HERE

PUNCH HERE

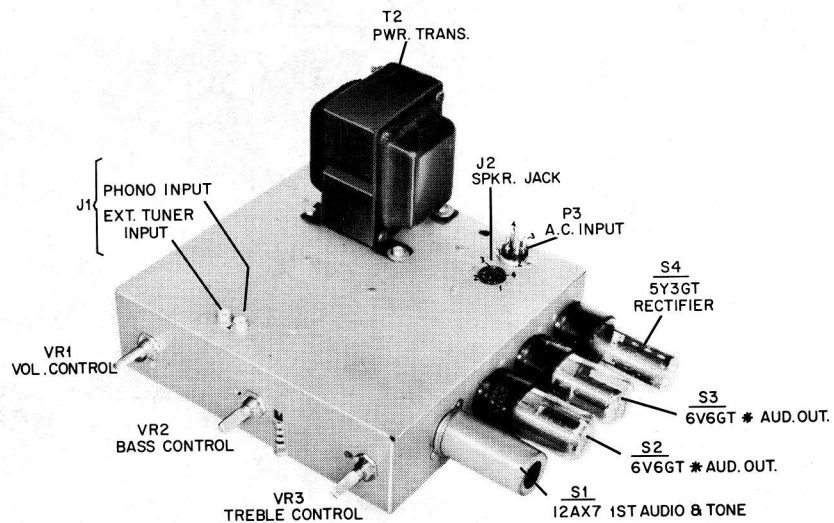
PUNCH
HERE

MODELS E-1363 E-1763 AND E-1765 PR-3077



Base View — Models E-1363, E-1763 and E-1765

PUNCH
HERE



* IN MODEL E-1363, S2 & S3 ARE 6K6GT'S

Top View — Models E-1363, E-1763 and E-1765

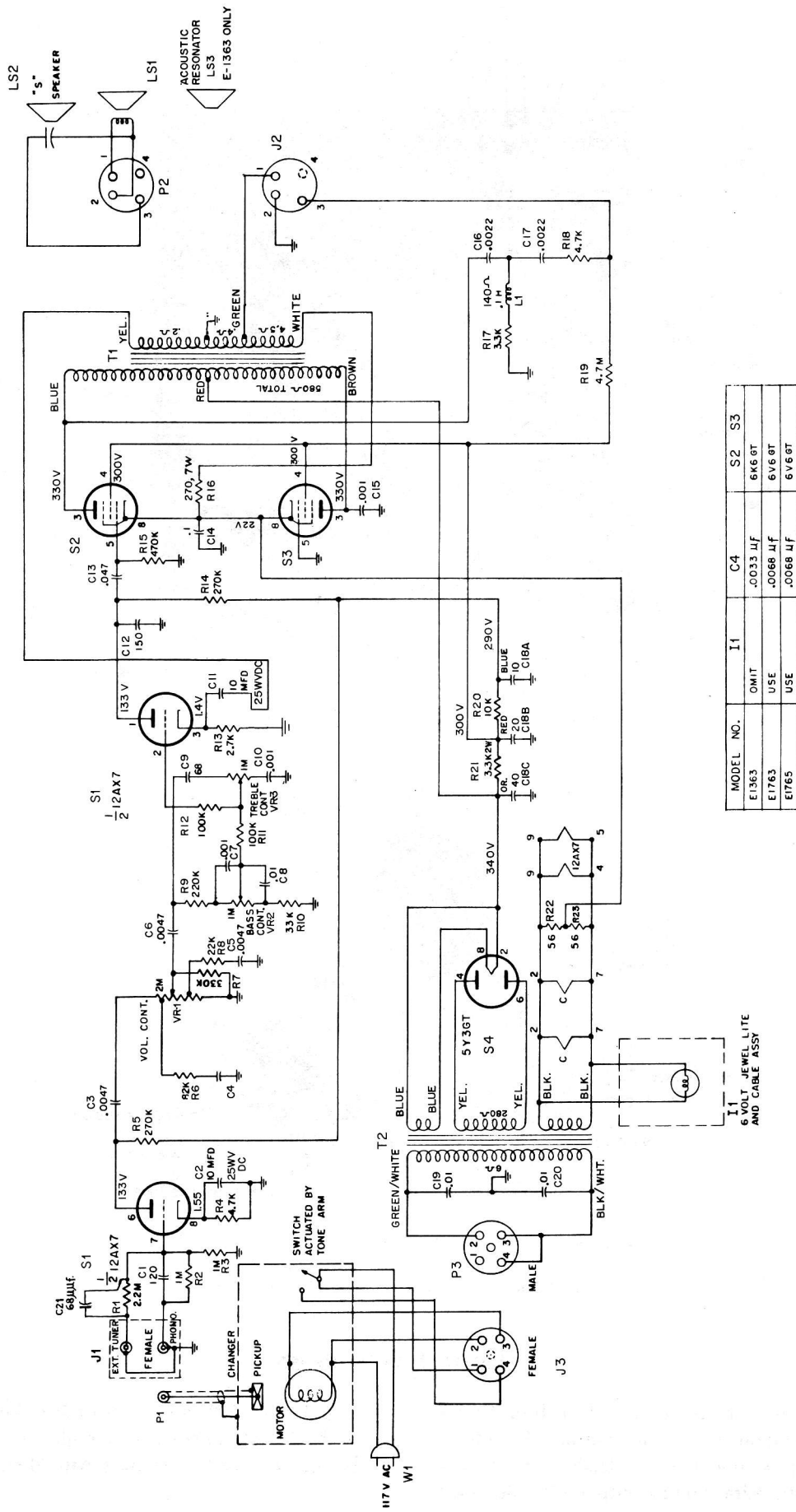
PHILCO HI-FIDELITY PHONOGRAPH

CRITICAL LEAD DRESS

When performing service do not disturb or alter the placement of components or the routing of leads. Avoid placing components or leads near R16, the 270 ohm, 7 watt, wire wound output cathode resistor

or R21, the 3300 ohms, 2 watt B+ filter resistor. Both of these units operate at a high temperature and may damage any part in contact with them.

PUNCH
HERE



Schematic Diagram for Models E-1363, E-1763 and E-1765