

INSTRUCTIONS

FOR INSTALLING AND OPERATING

MODEL TP-4

STANDARD BROADCAST RECEIVER

Model TP-4 is a five tube superheterodyne radio receiver for operation on either alternating current (AC) or direct current (DC) supply. It covers a frequency range from 540 to 1720 kilocycles (KC) on the broadcast band and also includes a local police range from 2.3 to 2.5 megacycles (MC).

The broadcast scale is calibrated in kilocycles (less the final zero). Standard broadcast stations are listed in kilocycles in most station lists.

The local police band is calibrated in megacycles. A megacycle is 1,000 kilocycles.

The power rating of this receiver is marked on the name label on the cabinet. Make sure that this rating corresponds with the power furnished your home.

INSTALLATION

After unpacking the receiver make sure all the tubes are in their correct sockets pressed firmly down. A label on the cabinet will show the relative location of the tubes.

A twenty foot indoor aerial wire is provided with the receiver. Uncoil this wire and place it around the baseboard moulding or under the rug. For best reception in steel reinforced buildings, the Philco Utility Aerial, Part No. 40-6384 (obtainable from your Philco dealer), is recommended. This especially designed, highly efficient, aerial can be installed in a few minutes. A convenient flexible lead-in is provided for connection to the receiver aerial.

NOTE: If your house current is DC and no sound is heard after the tubes are sufficiently heated, reverse the electric plug in the outlet. The same procedure is advised if your power supply is AC and a slight hum is observed with the volume turned low.

OPERATION

Turn the "On-Off Switch and Volume Control" (left-hand knob) to the right (clockwise) about half its range. This supplies power to the receiver and illuminates the dial.

Now select the desired station by rotating the "Station Selector" (right-hand knob). Local Police calls may be tuned in by pushing the "Broadcast-Police" switch, located on the back of the receiver, to the "Police" position.

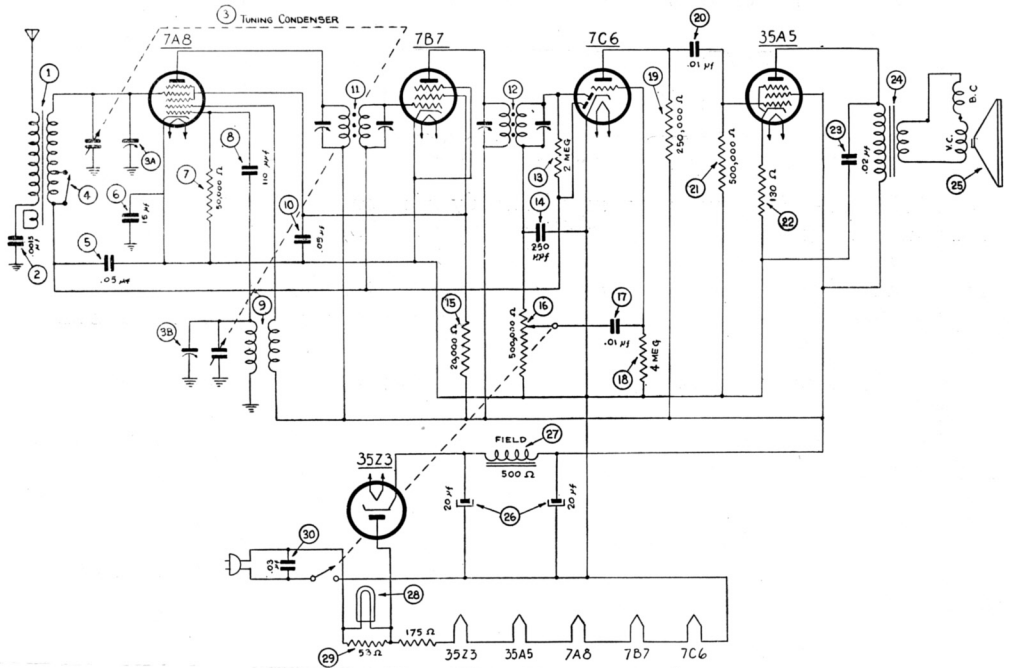
For best tone, tune the desired station with the volume turned low. This enables you to get the exact point where the station comes in best. Then adjust the volume to the desired level with the volume control.

Service . . .

For the convenience of all radio owners, Philco has developed a plan for prompt, efficient radio service in every locality. This plan is known as "Radio Manufacturers Service." There is a member in your neighborhood — his shop or store can be identified by the emblem shown here. To make sure of guaranteed work, genuine Philco tubes and parts, and standard prices — call a member of "Radio Manufacturers Service."



INSTRUCTIONS FOR INSTALLING AND OPERATING MODEL TP-4



REPLACEMENT PARTS TRANSITONE HOME RADIO MODEL TP-4

Schem No.	Description	Philco Part No.	Schem No.	Description	Philco Part No.
1	Antenna Transformer	32-3164	18	Resistor (4 meg., 1/3 watt)	33-540244
2	Tubular Condenser (.0015 mf., 200 V.)	30-4555S	19	Resistor (250,000 ohms, 1/3 watt)	33-425244
3	Tuning Condenser	31-2354	20	Tubular Condenser (.01 mf., 400 v.)	30-4572S
4	Switch	42-1406	21	Resistor (500,000 ohms, 1/3 watt)	33-450244
5	Tubular Condenser (.05 mf., 200 v.)	30-4519S	22	Resistor (130 ohms, 1/2 watt)	33-113336
6	Tubular Condenser (.15 mf., 400 v.)	30-4505S	23	Tubular Condenser (.02 mf., 400 v.)	30-4516S
7	Resistor (50,000 ohms, 1/3 watt)	33-350244	24	Output Transformer	Part of Speaker No. 36-1469
8	Mica Condenser (110 mmf.)	30-1031	25	Speaker	36-1469
9	Oscillator Transformer	32-3152	26	Tubular Condenser (.03 mf., 400 v.)	30-4449S
10	Tubular Condenser (.05 mf., 200 v.)	30-4519S	27	Electrolytic Condenser (20-20 mf., 150 v.)	30-2382
11	1st I. F. Transformer	32-3149	28	Field Coil	Part of Speaker, Part No. 36-1469
12	2nd I. F. Transformer	32-3150	29	Pilot Lamp	34-2068
13	Resistor (2 meg., 1/3 watt)	33-520244	30	Line Resistor	33-3367
14	Mica Condenser (250 mmf.)	30-1032			
15	Resistor (20,000 ohms, 1/3 watt)	33-320244			
16	Volume Control (500,000 ohms)	33-5306			
17	Tubular Condenser (.01 mf., 200 v.)	30-4479S			

WARRANTY

"We warrant each new Transitone Radio Receiver and Speaker to be free from defects in material and workmanship under normal use and service, our obligation under this warranty being limited to making good at our depot any part thereof which shall, within ninety (90) days after delivery of such Receiver to the original retail purchaser, be returned to our depot with transportation charges prepaid, and which our examination shall disclose to our satisfaction to have been thus defective; this warranty being expressly in lieu of all other warranties expressed or implied, and of all other obligations or liabilities on our part, and we neither assume nor authorize any representative or other person to assume for us any other liability in connection with the sale of Receivers or Speakers. This warranty shall not apply to any Receiver or Speaker which shall have been repaired or altered other than by us in any way so as, in our judgment, to affect its stability or reliability, nor which has had the serial number altered, effaced or removed. Neither shall this warranty apply to any Receiver or Speaker which has been connected otherwise than in accordance with the instructions furnished by us."