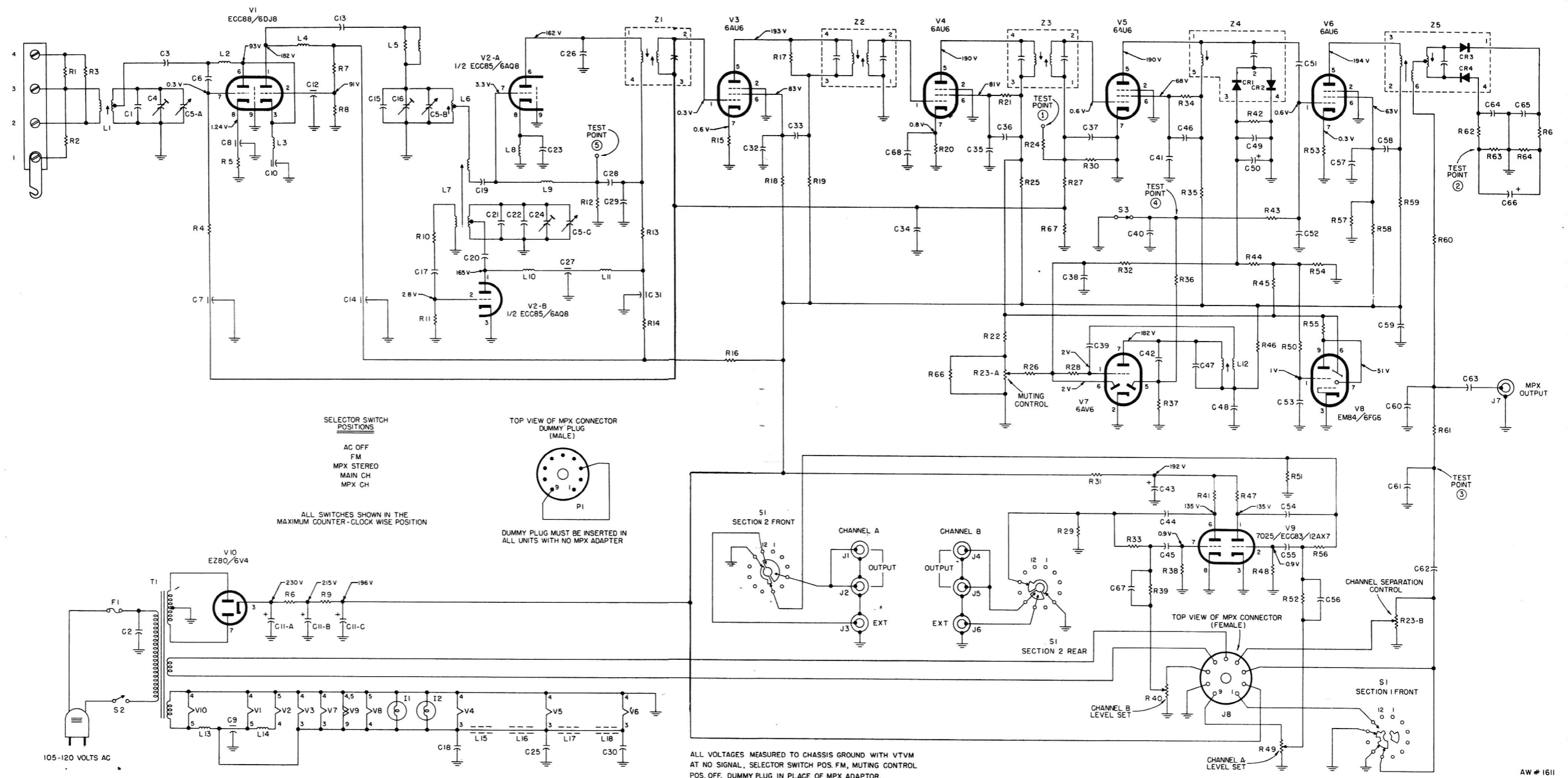


**SCHEMATIC DIAGRAM**



RESISTORS	R1 R2	R3	R4	R5	R6	R7 R8 R9	R10 R11	R12	R13 R14	R15 R16	R17 R18	R19	R20 R66	R21 R22 R23-A	R24 R25 R26 R67 R29	R27 R28 R29	R30 R31	R32 R33	R34 TO R40	R41	R42 TO R49	R50 TO R56	R57	R58 R23-B	R59 R23-B	R60 R61	R62	R63	R64	R65
CAPACITORS	C1 C2	C3 C4	C5-A C7	C6 C9	C8 C10 C11-A	C12 C11-B C11-C	C13 C14 C15	C16 C17	C18 C19 C20 C21 C22 C23 C24 C25	C26 C5-C C27	C28 C29 C30	C31	C32 C33	C34	C35 C36	C37 C38 C39	C40 TO C45	C46 C47 C48	C49 C50	C51 TO C55	C56	C57	C58	C59 C60 C61	C62	C63	C64	C65 C66		