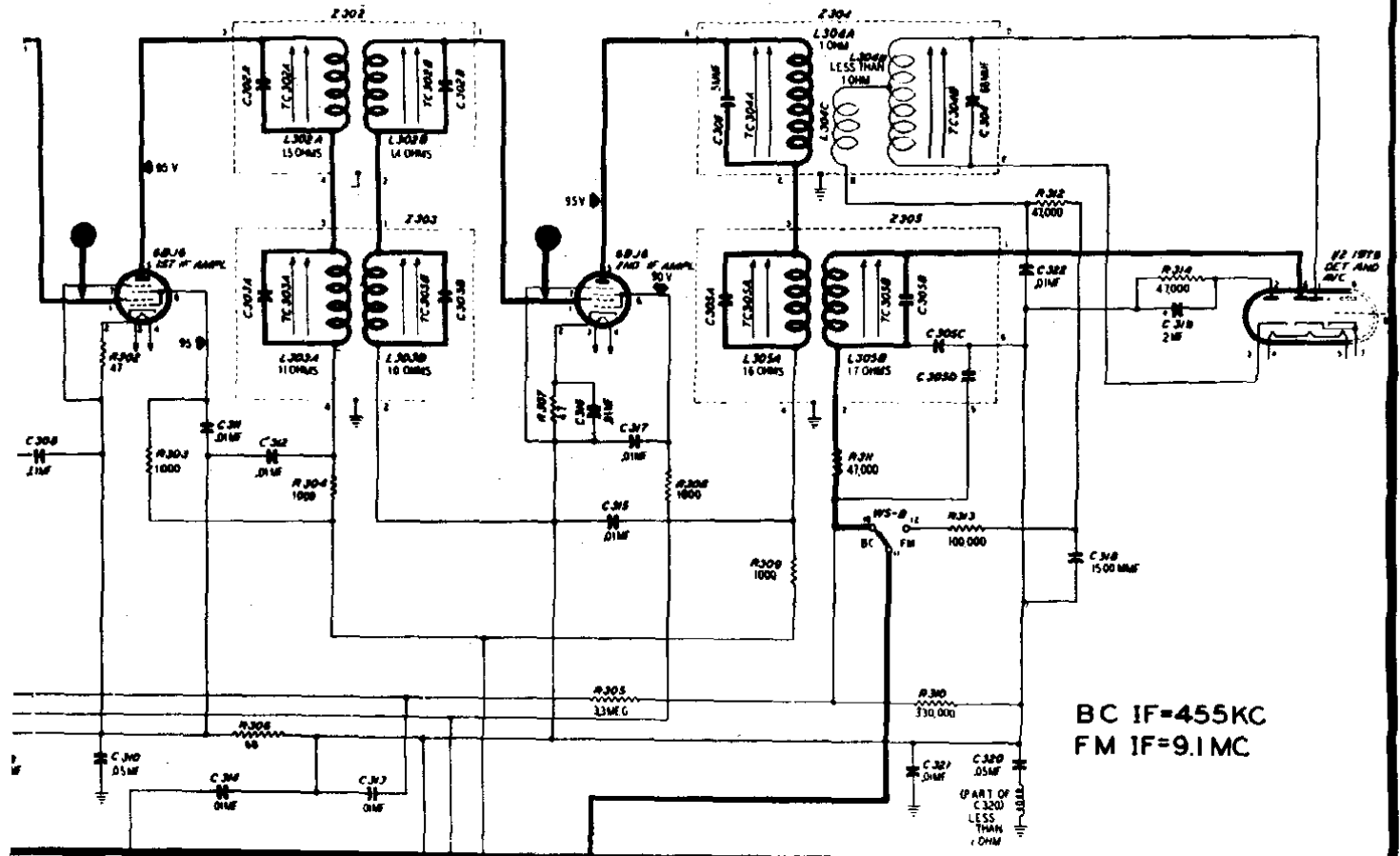
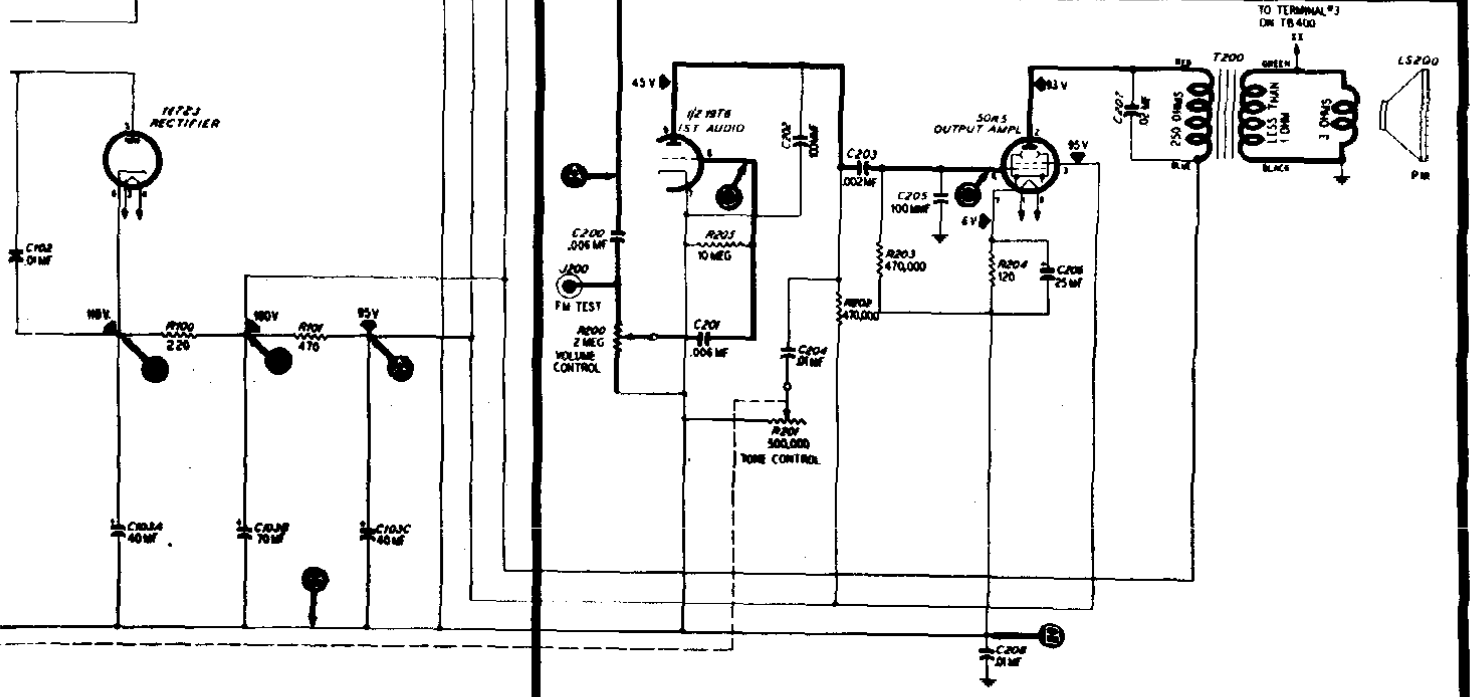


SECTION 3-IF, DETECTOR, AND AVC CIRCUITS



BC IF=455KC
FM IF=9.1MC

(PART OF C320
LESS THAN
.01M



SECTION 2 - AUDIO CIRCUITS

Sectionalized Schematic Diagram, Showing Test Points