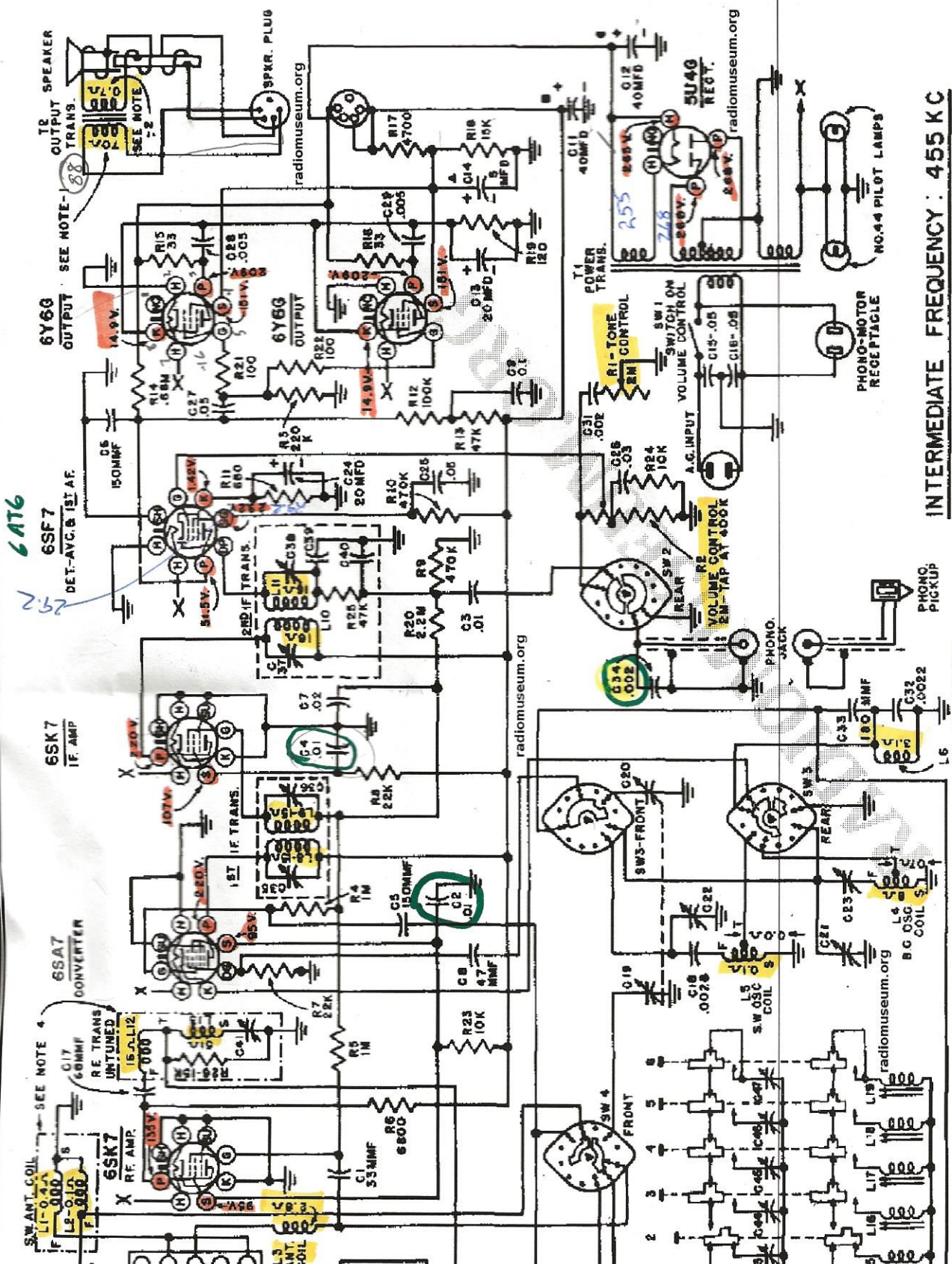


Caution: Model H104A, H105A, H107A, H108A  
Please note that the changes necessarily!



INTERMEDIATE FREQUENCY: 455 KC

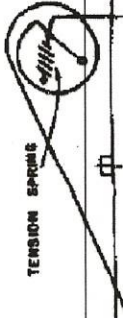
4. DOT-DASH LINE DEMOTES ASSEMBLY OF COMPONENT PARTS UNSHIELDED
5. ALL VOLTAGES MEASURED FROM CHASSIS (0V.) USING 20,000 OHM/VOLT METER. LINE VOLTAGE 117 V.A.C. MAX. VOLUME CONTROL SETTING AT NO SIGNAL CONDITIONS FOR THE BROADCAST BAND. READINGS SHOULD APPROXIMATE THE VALUES SHOWN WITHIN 20 PERCENT.

Tuning Drive Ratio ..... 30 to 1

### PH BUTTONS

3 are designed to receive stations  
push buttons 4 to 6 are designed

3. Reset the phono-band switch on "PUSH BUTTON" and depress the first push button (right button, viewed from the front). Adjust L14, using a small long-handled screwdriver to receive the station.



TENSION SPRING