

Philco Radio & Television Corp.

Model: 46-420 (121)

Chassis:

Year: Pre 1948

Power:

Circuit:

IF:

Tubes:

Bands:

Resources

[Riders Volume 15 - PHILCO 15-10](#)

[Riders Volume 15 - PHILCO 15-11](#)

[Riders Volume 15 - PHILCO 15-12](#)

[Riders Volume 15 - PHILCO 15-13](#)

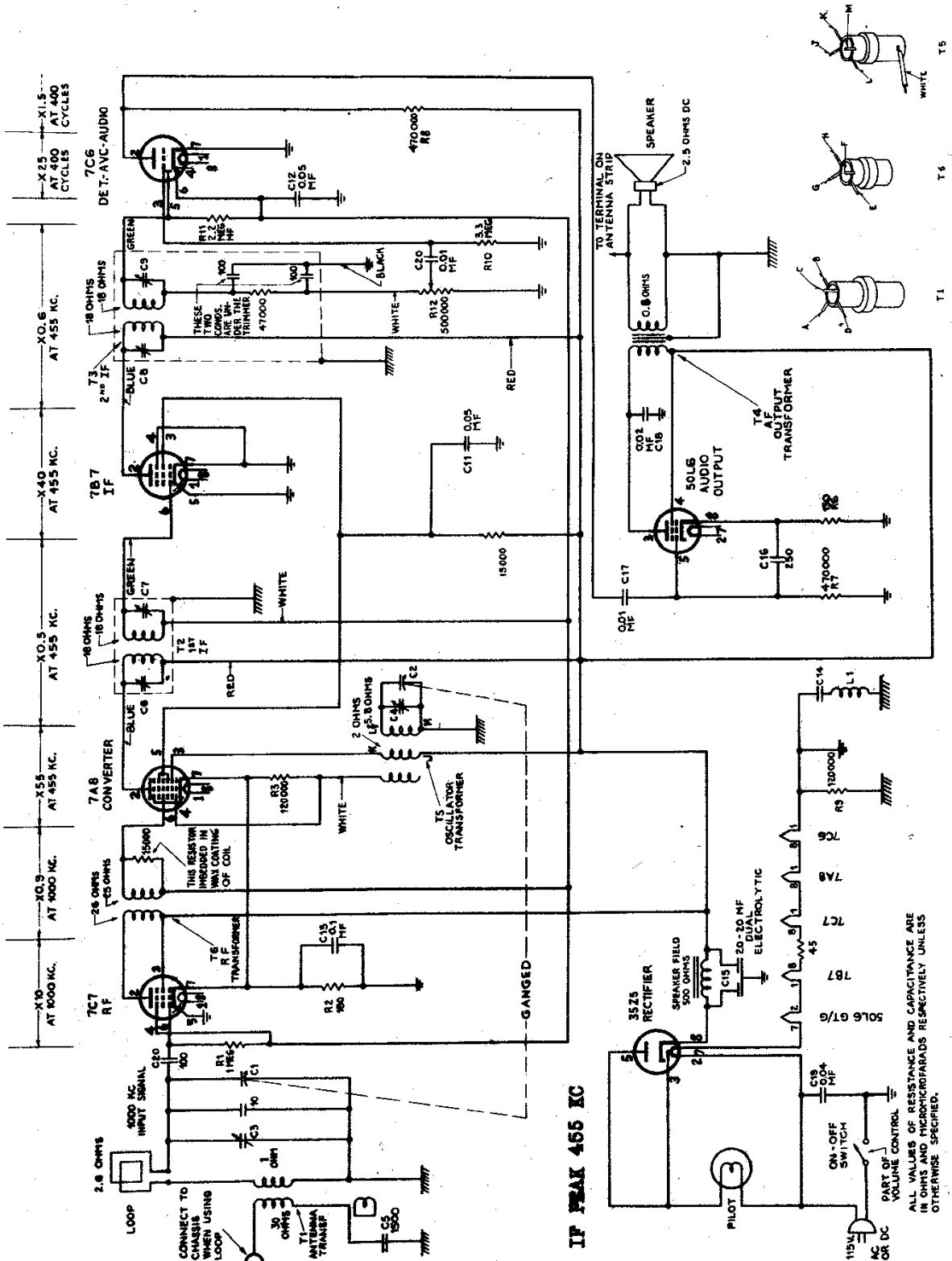
[Riders Volume 15 - PHILCO 15-14](#)

MODELS 46-420,

46-420-I

Code 121

PHILCO RADIO & TELEV. CORP.



IF PEAK 455 KC

ALL VALUES OF RESISTANCE AND CAPACITANCE ARE IN OHMS AND MICROHMFARADS RESPECTIVELY UNLESS OTHERWISE SPECIFIED.

PHILCO RADIO & TELEV. CORP.

MODELS 46-420
46-420-I
Code 121

TEST POINT	RESISTANCE VALUES	RES. TO CIRCUIT GND.
5625GT	TERMINAL 1 2 3 4 5 6 7 8	3,500,000 150 145 3,500,000 145 INFINITE 120 INFINITE
50LS	TERMINAL 1 2 3 4 5 6 7 8	RES. TO CIRCUIT GND. INFINITE 75 3,500,000 3,500,000 500,000 0 120 125
706	TERMINAL 1 2 3 4 5 6 7 8	RES. TO CIRCUIT GND. 0 3,500,000 3,500,000 0 525,000 2,500,000 0 20
787	TERMINAL 1 2 3 4 5 6 7 8	RES. TO CIRCUIT GND. 75 3,500,000 3,500,000 0 525,000 2,500,000 0 70
748	TERMINAL 1 2 3 4 5 6 7 8	RES. TO CIRCUIT GND. 20 3,500,000 3,500,000 120,000 3,500,000 2,500,000 180 25
707	TERMINAL 1 2 3 4 5 6 7 8	RES. TO CIRCUIT GND. 25 3,500,000 3,500,000 2,500,000 0 3,500,000 180 30

TEST POINT	VVM	20,000 ^Ω	PER VOLT	1,000 ^Ω	PER VOLT
5625GT	1 88 2 0 3 0 4 88 5 -1.0 6 0 7 -0.5 8 110	88 0 0 88 -1.0 0 -1.0 110	PER VOLT PER VOLT PER VOLT PER VOLT PER VOLT PER VOLT PER VOLT PER VOLT	80 0 0 80 -1.0 0 -1.0 110	PER VOLT PER VOLT PER VOLT PER VOLT PER VOLT PER VOLT PER VOLT PER VOLT
50LS	1 0 2 0 3 75 4 88 5 0 6 0 7 -0.5 8 5.5	0 0 75 88 0 0 -0.5 5.5	PER VOLT PER VOLT PER VOLT PER VOLT PER VOLT PER VOLT PER VOLT PER VOLT	1,000 ^Ω 1,000 ^Ω 1,000 ^Ω 1,000 ^Ω 1,000 ^Ω 1,000 ^Ω 1,000 ^Ω 1,000 ^Ω	PER VOLT PER VOLT PER VOLT PER VOLT PER VOLT PER VOLT PER VOLT PER VOLT
706	1 0 2 50 3 -0.5 4 0 5 -0.5 6 -1.0 7 0 8 0	0 50 -0.5 0 -0.5 -1.0 0 0	PER VOLT PER VOLT PER VOLT PER VOLT PER VOLT PER VOLT PER VOLT PER VOLT	1,000 ^Ω 40 -0.5 0 -0.5 -0.5 0 0	PER VOLT PER VOLT PER VOLT PER VOLT PER VOLT PER VOLT PER VOLT PER VOLT
787	1 0 2 88 3 50 4 0 5 0 6 -1.0 7 0 8 0	0 88 50 0 0 -1.0 0 0	PER VOLT PER VOLT PER VOLT PER VOLT PER VOLT PER VOLT PER VOLT PER VOLT	1,000 ^Ω 82 50 0 0 -0.5 0 0	PER VOLT PER VOLT PER VOLT PER VOLT PER VOLT PER VOLT PER VOLT PER VOLT
748	1 0 2 88 3 88 4 -1.2 5 50 6 -1.0 7 1.2 8 0	0 88 88 -1.2 50 -1.0 1.2 0	PER VOLT PER VOLT PER VOLT PER VOLT PER VOLT PER VOLT PER VOLT PER VOLT	1,000 ^Ω 82 82 -2.5 48 -0.4 1.2 0	PER VOLT PER VOLT PER VOLT PER VOLT PER VOLT PER VOLT PER VOLT PER VOLT
707	1 0 2 88 3 88 4 -1.0 5 0 6 -1.0 7 1.2 8 0	0 88 88 -1.0 0 -1.0 1.2 0	PER VOLT PER VOLT PER VOLT PER VOLT PER VOLT PER VOLT PER VOLT PER VOLT	1,000 ^Ω 84 84 -0.5 0 0 1.2 0	PER VOLT PER VOLT PER VOLT PER VOLT PER VOLT PER VOLT PER VOLT PER VOLT

PLATE AND SCREEN VOLTAGES TAKEN WITH 1000 OHMS PER VOLT METER WERE TAKEN WITH THE 1000-VOLT RANGE. ALL CATHODE VOLTAGES WERE READ USING THE 10-VOLT SCALE OF THE 1000 OHMS PER VOLT METER.

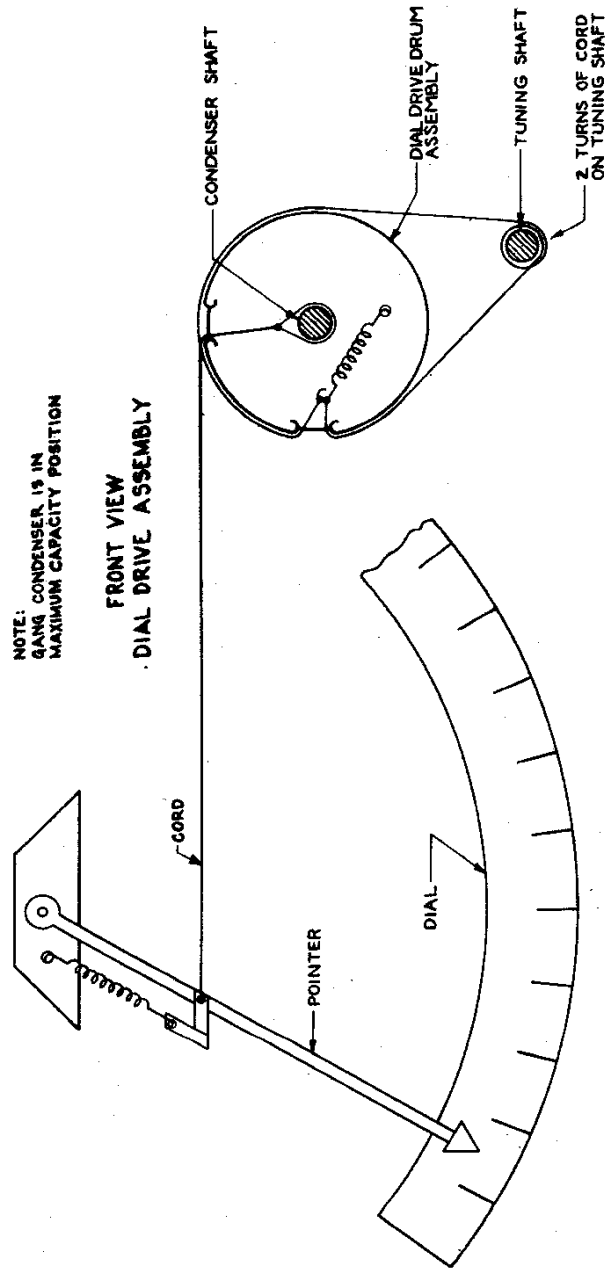
ALL VOLTAGE READINGS ARE POSITIVE EXCEPT THOSE MARKED NEGATIVE.

PHILCO RADIO & TELEV. CORP.

ALIGNMENT

PHILCO 46-420

Alignment may be accomplished with the chassis in the cabinet if a small alignment screwdriver is used. Connect the output meter between the left hand terminal (high) and center terminal (low) of the chassis antenna terminal strip. Connect the signal generator to the standard Hazeltine loop Model 1150 and couple it loosely to the receiver loop. The volume control should be set at maximum. The tuning condenser plates should be fully meshed when the dial pointer is at the index mark at the low frequency end of the dial. The generator output should always be just sufficient to obtain a minimum deflection on the output meter. Set the signal generator to 455 kc. and adjust the i-f trimmers for maximum meter deflection in the following sequence: C9, C8, C7, C6. Set the generator and receiver to 1600 kc. and adjust the oscillator trimmer C4 for maximum output. Set the generator and receiver to 1500 kc. and adjust the r-f trimmer C3 for maximum output.

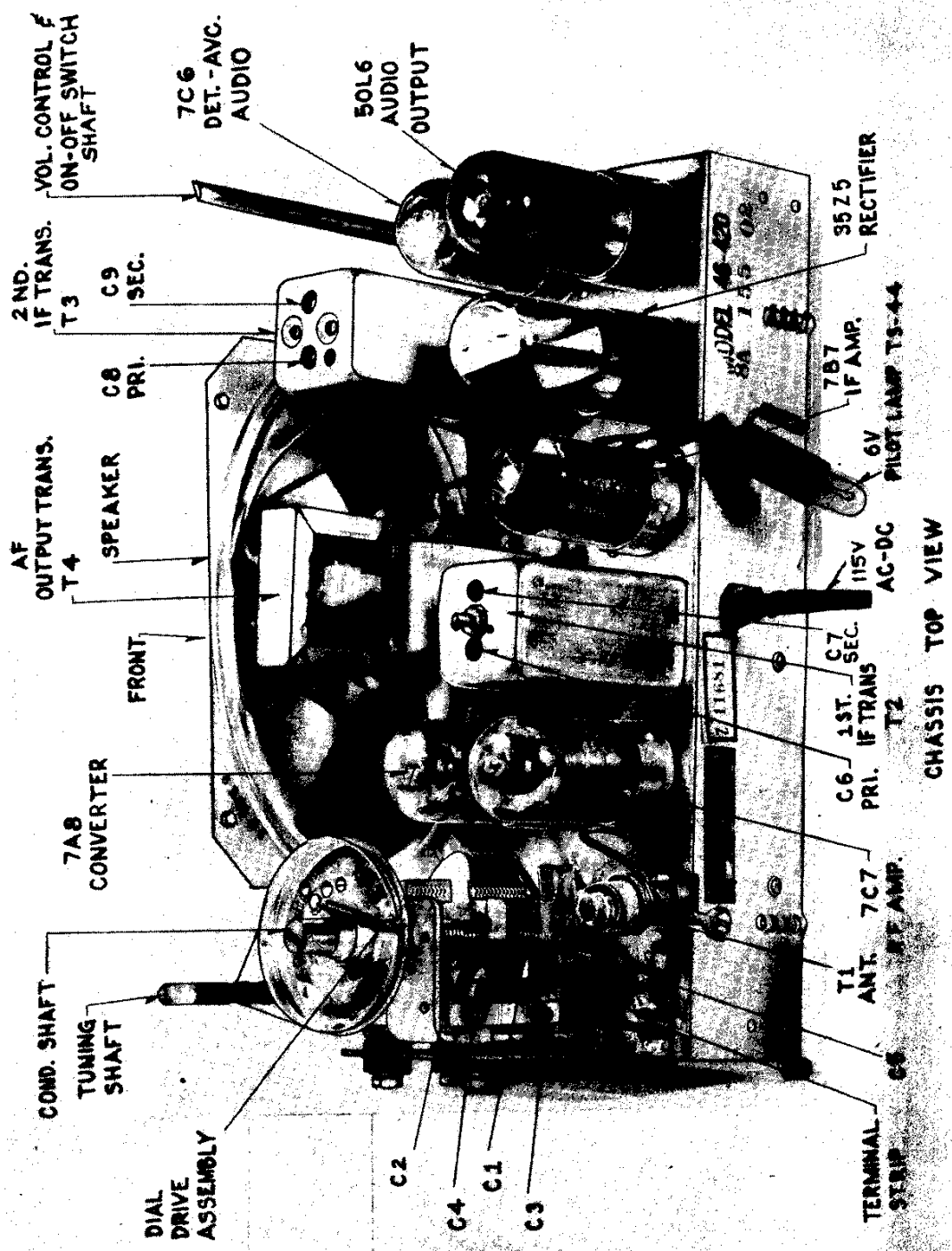


PHILCO RADIO & TELEV. CORP.

MODELS 46-420

46-420-1

Code 121

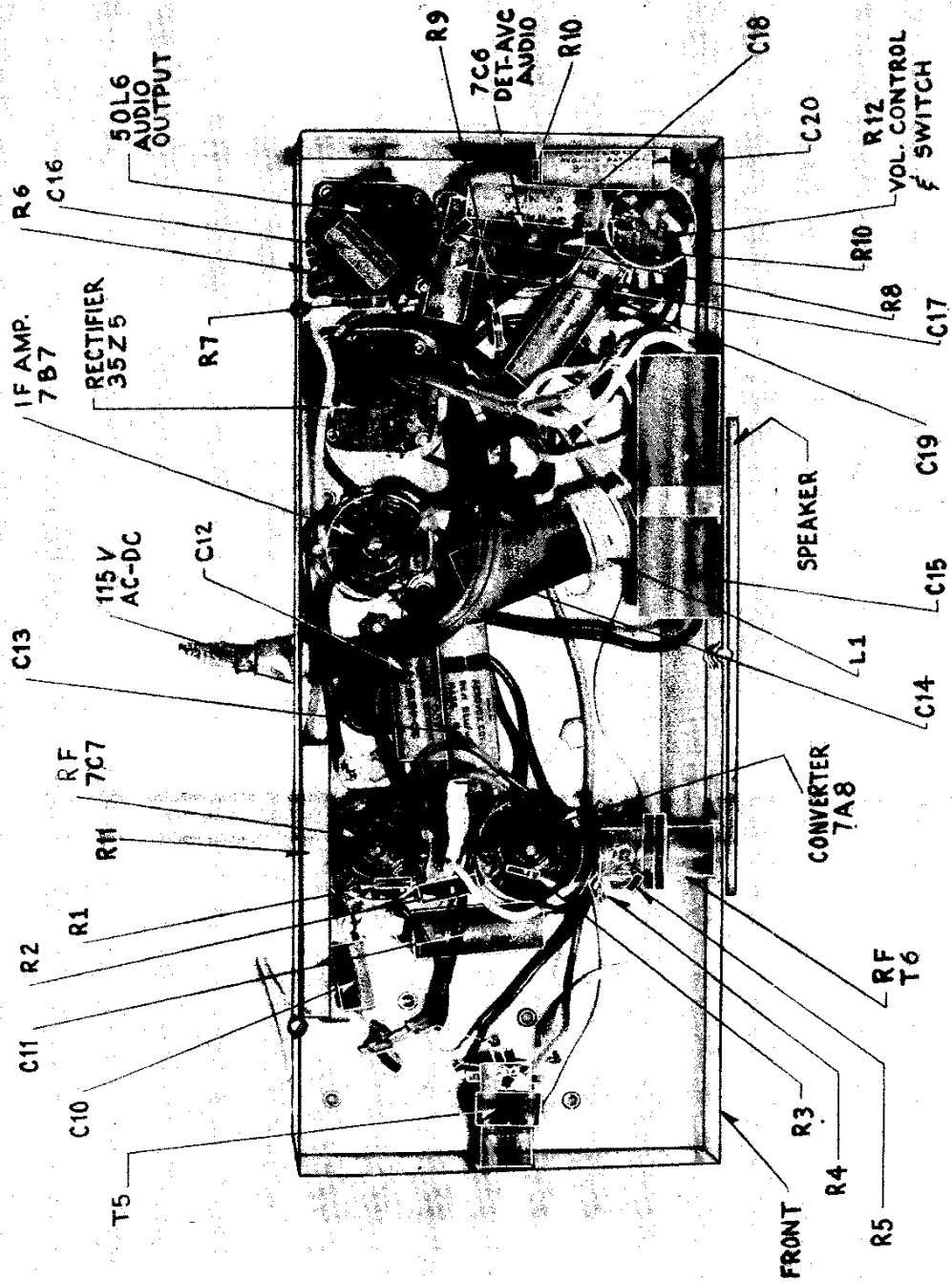


MODELS 46-420

46-420-I

Code 121

PHILCO RADIO & TELEV. CORP.



CHASSIS BOTTOM VIEW