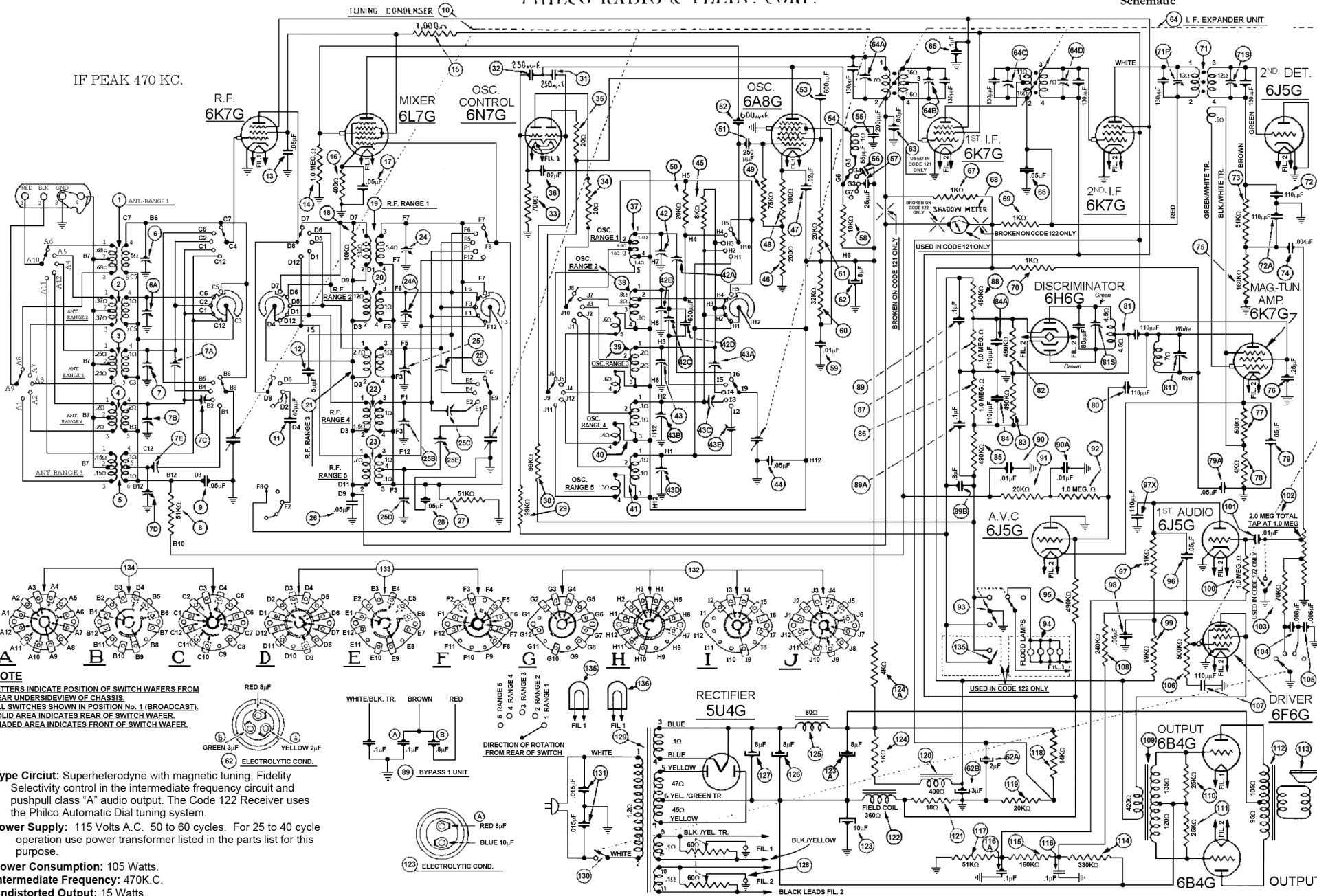


PHILCO RADIO & TELEV. CORP.

Schematic

64 I.F. EXPANDER UNIT

IF PEAK 470 KC.



NOTE
 LETTERS INDICATE POSITION OF SWITCH WAFERS FROM REAR UNDERSIDEVIEW OF CHASSIS.
 ALL SWITCHES SHOWN IN POSITION No. 1 (BROADCAST).
 SOLID AREA INDICATES REAR OF SWITCH WAFER.
 SHADED AREA INDICATES FRONT OF SWITCH WAFER.

Type Circuit: Superheterodyne with magnetic tuning, Fidelity Selectivity control in the intermediate frequency circuit and pushpull class "A" audio output. The Code 122 Receiver uses the Philco Automatic Dial tuning system.

Power Supply: 115 Volts A.C. 50 to 60 cycles. For 25 to 40 cycle operation use power transformer listed in the parts list for this purpose.

Power Consumption: 105 Watts.
Intermediate Frequency: 470K.C.
Undistorted Output: 15 Watts.