

Gamble-Skogmo, Inc.

Model: 43-7651

Chassis:

Year: Pre 1950

Power:

Circuit:

IF:

Tubes:

Bands:

Resources

[Riders Volume 19 - GAMBLE 19-23](#)

[Riders Volume 19 - GAMBLE 19-24](#)

[Riders Volume 19 - GAMBLE 19-25](#)

[Riders Volume 19 - GAMBLE 19-26](#)

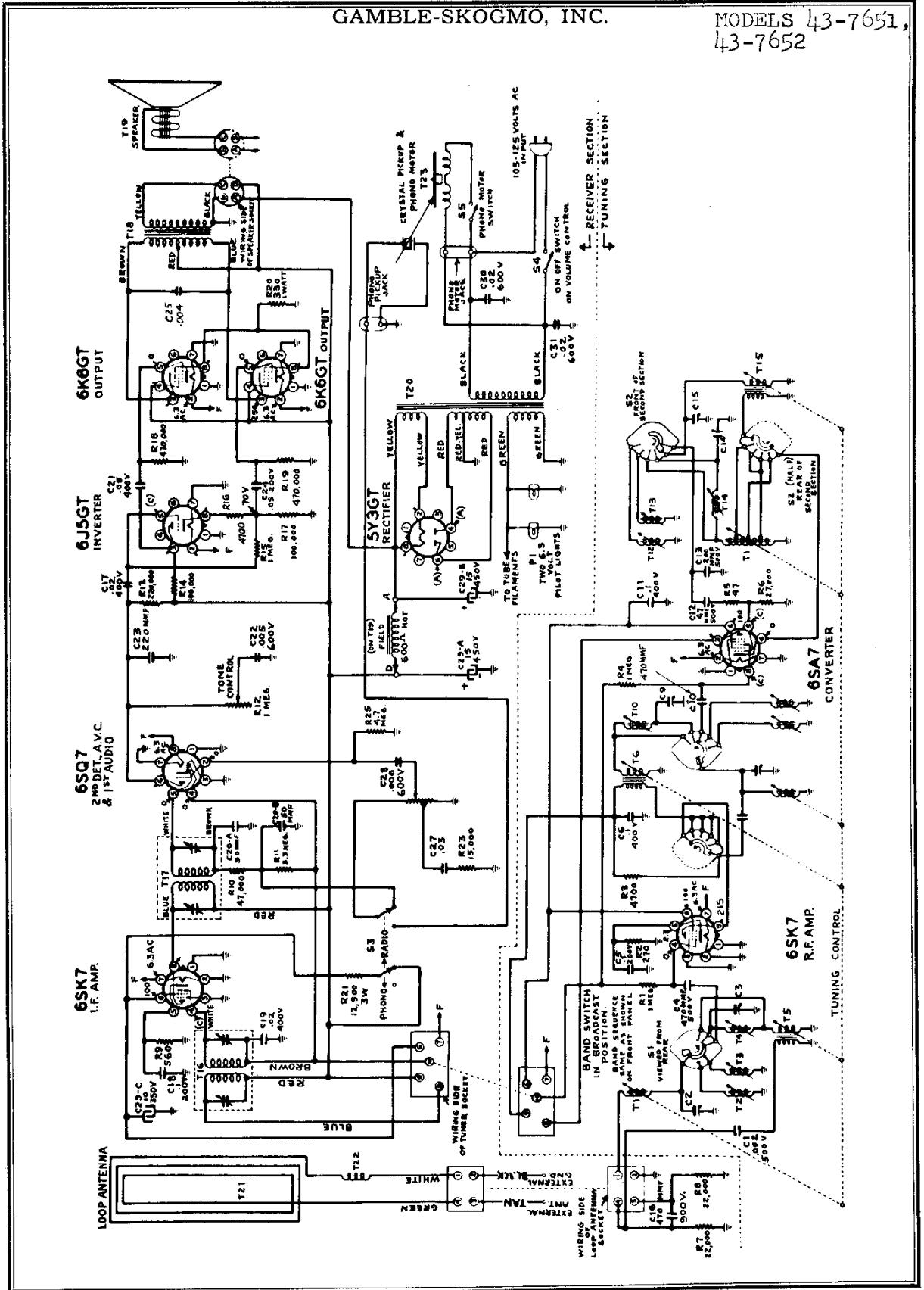
[Riders Volume 19 - GAMBLE 19-27](#)

[Riders Volume 19 - GAMBLE 19-28](#)

[Riders Volume 19 - GAMBLE 19-29](#)

GAMBLE-SKOGMO, INC.

MODELS 43-7651,
43-7652



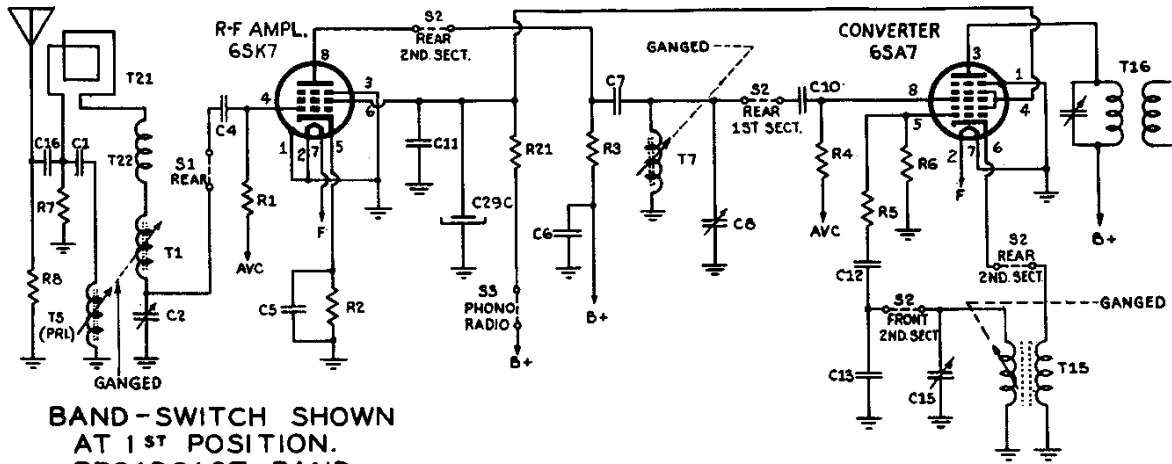
©John F. Rider

CLARI-SKEMATIX

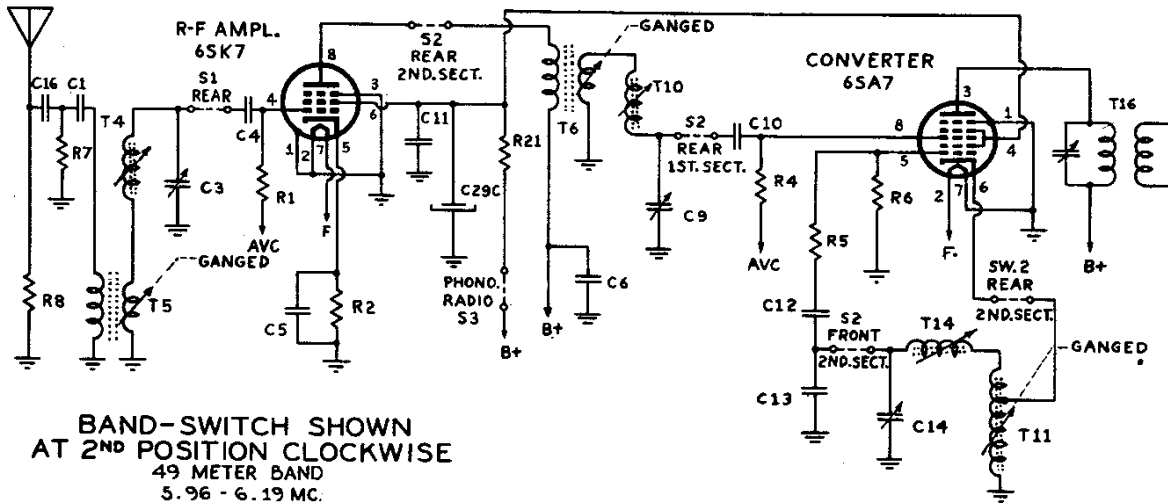
Registered Trademark

MODELS 43-7651,
43-7652

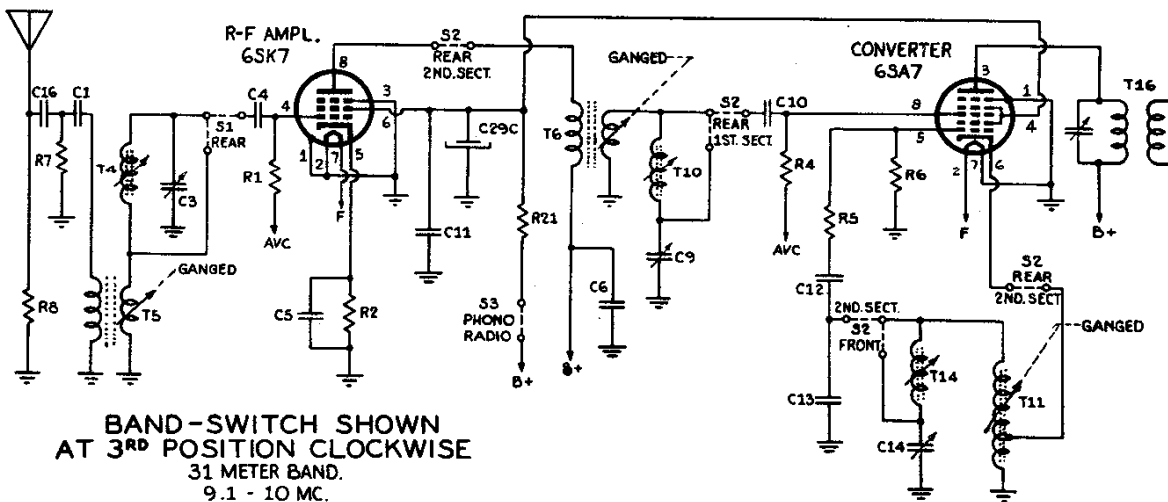
GAMBLE-SKOGMO, INC.



**BAND-SWITCH SHOWN
AT 1ST POSITION.
BROADCAST BAND
540-1600KC**



**BAND-SWITCH SHOWN
AT 2ND POSITION CLOCKWISE
49 METER BAND
5.96 - 6.19 MC.**



**BAND-SWITCH SHOWN
AT 3RD POSITION CLOCKWISE
31 METER BAND.
9.1 - 10 MC.**

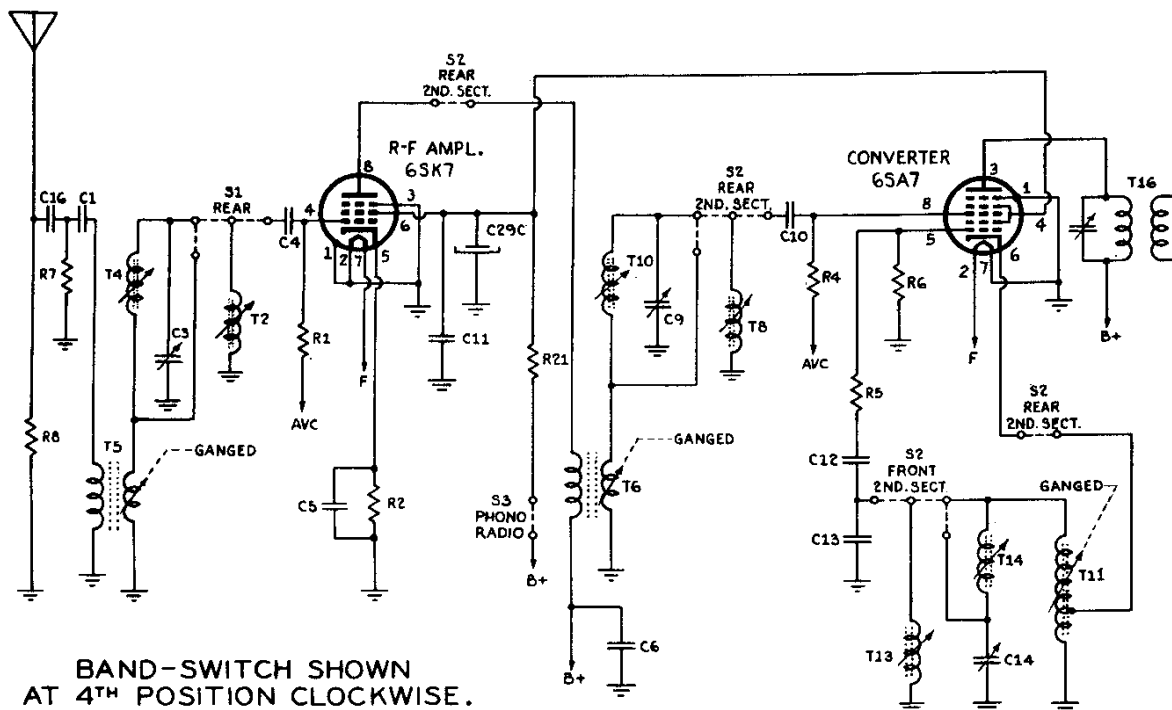
CLARI-SKEMATIX

Registered Trademark

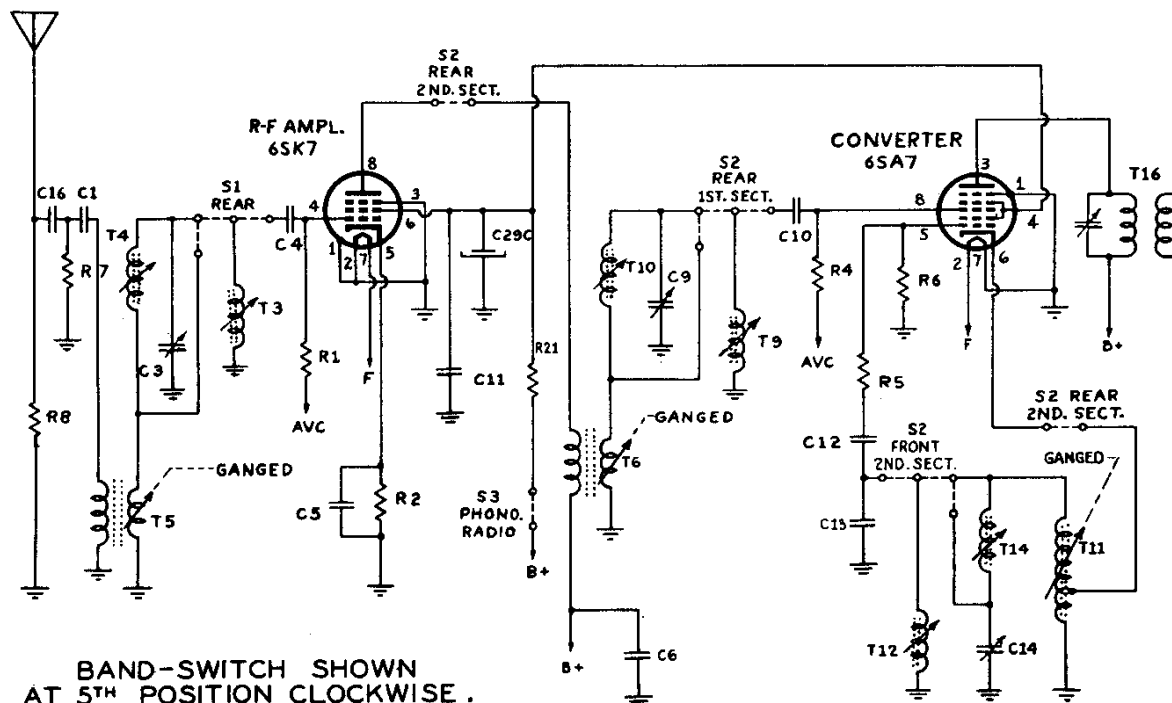
GAMBLE PAGE 19-25

GAMBLE-SKOGMO, INC.

MODELS 43-7651,
43-7652



BAND-SWITCH SHOWN
AT 4TH POSITION CLOCKWISE.
25 METER BAND
11.45 - 12.16 MC.



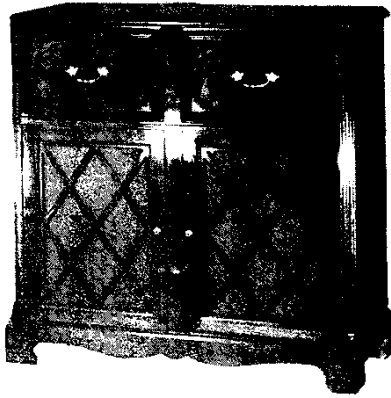
BAND-SWITCH SHOWN
AT 5TH POSITION CLOCKWISE.
19 METER BAND
14.94 - 15.46 MC.

©John F. Rider

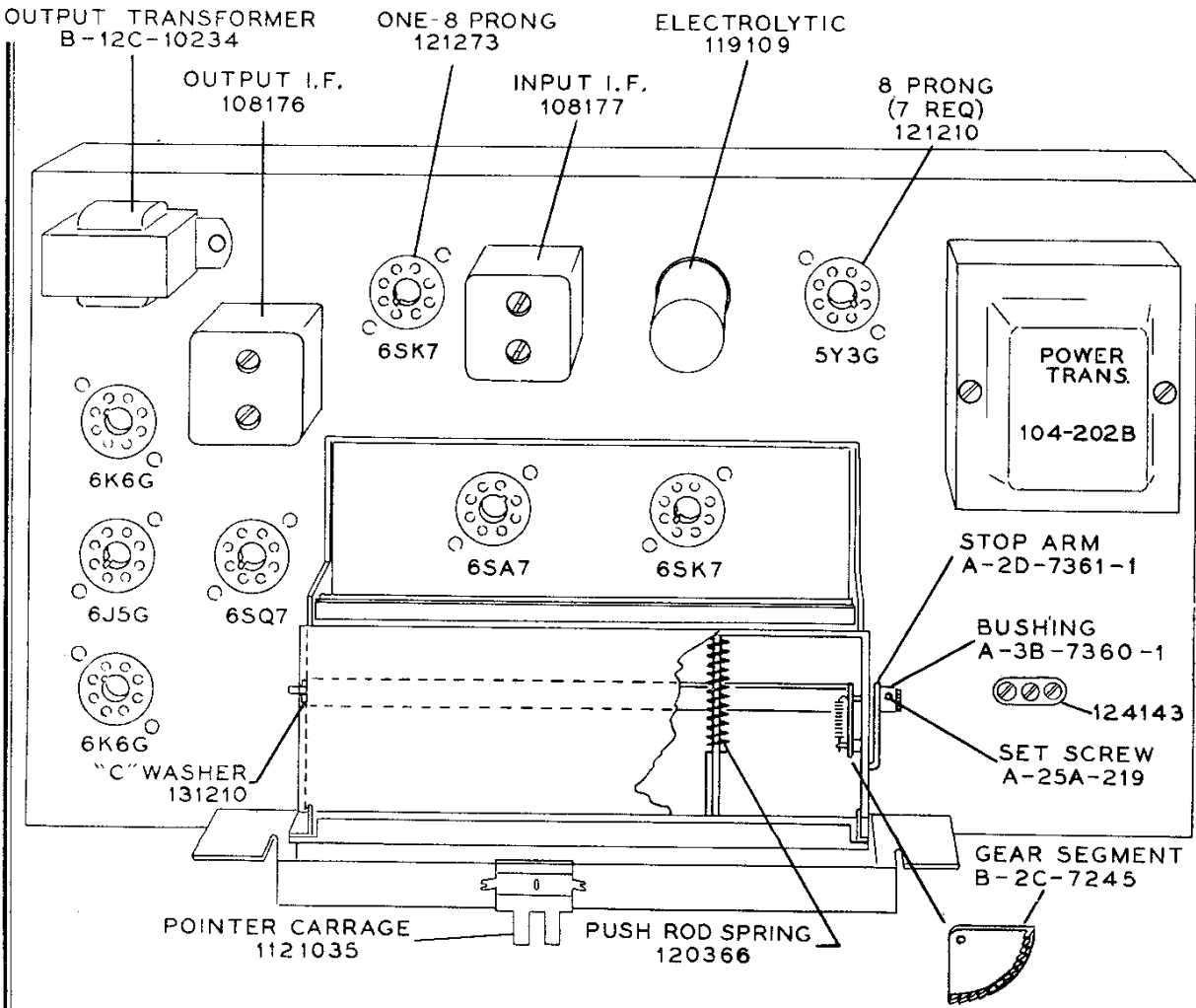
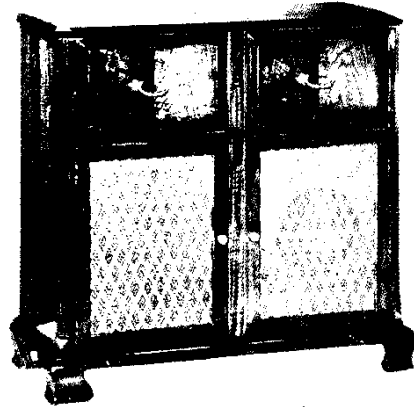
MODELS 43-7651,
43-7652

GAMBLE-SKOGMO, INC.

MODEL 43-7651



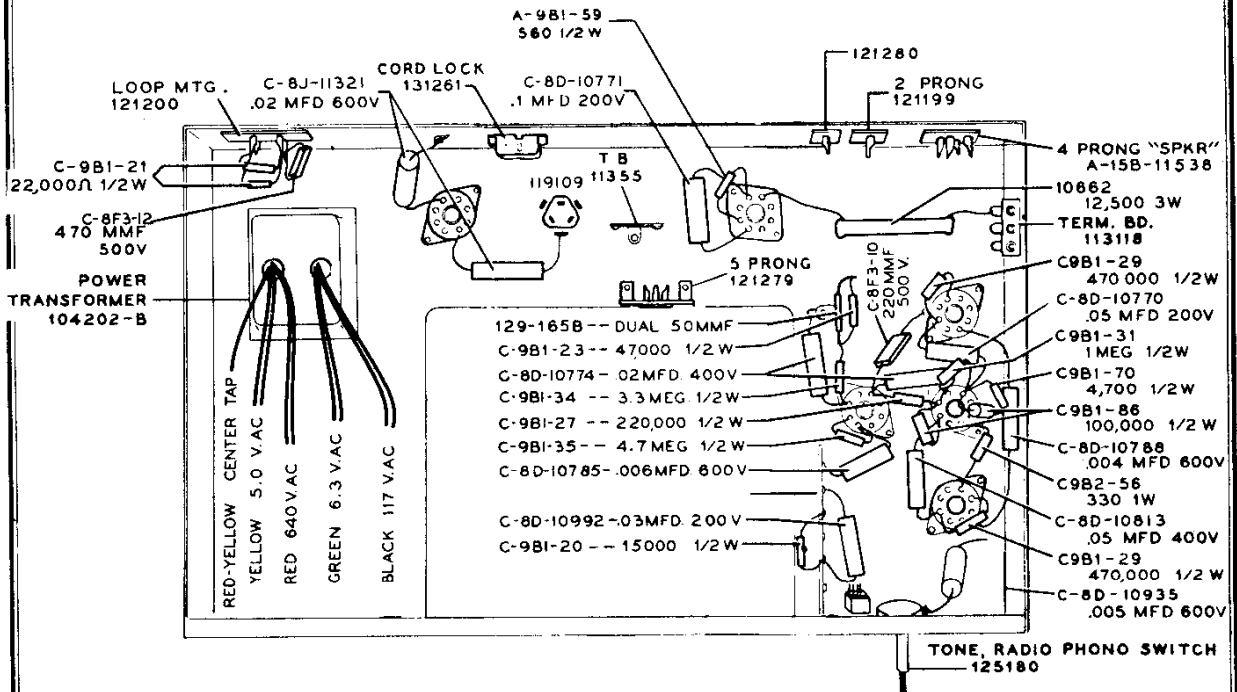
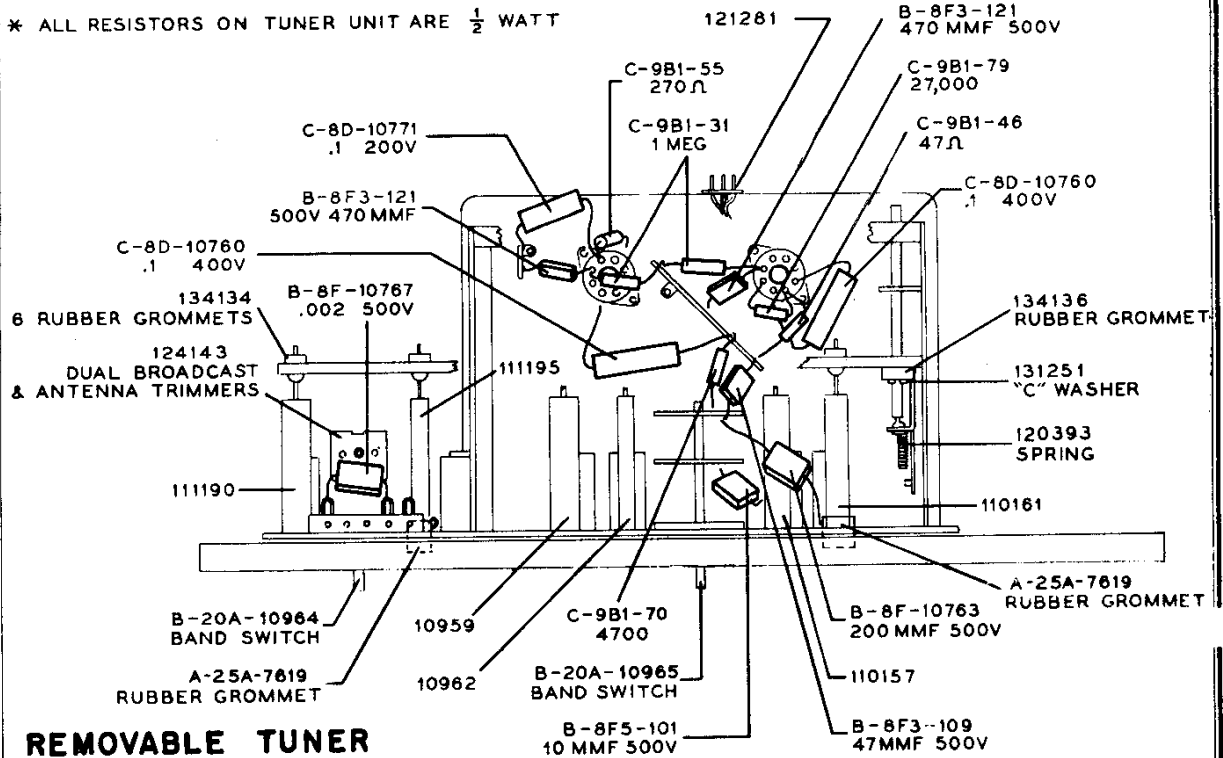
MODEL 43-7652



GAMBLE-SKOGMO, INC.

MODELS 43-7651,
43-7652

* ALL RESISTORS ON TUNER UNIT ARE 1/2 WATT



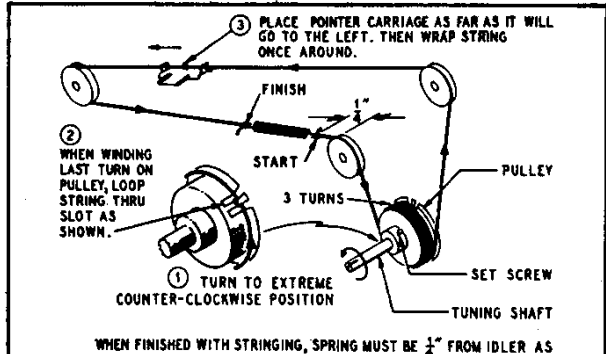
MODELS 43-7651,
43-7652

REMOVAL OF CHASSIS FROM CABINET

Before removing chassis, take off escutcheon and pull pointer from pointer carriage.

SPECIFICATIONS

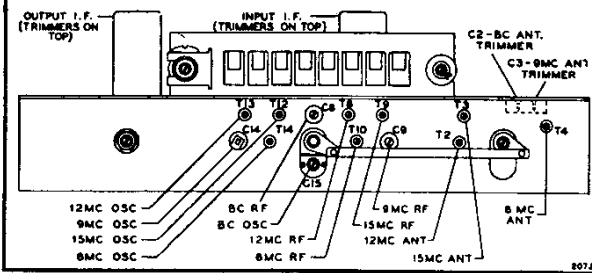
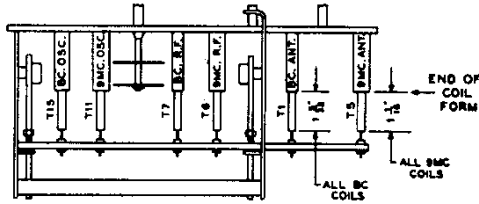
8 Tube Superheterodyne, including rectifier tube
 Power Output.....7.5 w. max., 5.5 w. undistorted
 Selectivity.....35 kc. broad at 1,000 times signal at 1,000 kc.
 Intermediate Frequency.....455 kc.
 Speaker.....10 inch electrodynamic. Voice coil impedance 3.2 ohms
 Sensitivity.....4 mv. avg. for 1/2 w. output
 Power Supply.....105-125 v. A.C. 60 cycles 95 w. (118 w. with phono motor operating)
 Tuning.....All bands permeability-tuned
 Frequency Ranges.....Broadcast band 540-1,600 kc.
 49-meter band 5.96-6.19 mc.
 31-meter band 9.1-10 mc.
 25-meter band 11.45-12.16 mc.
 19-meter band 14.94-15.46 mc.
 Antenna.....Built-in; provisions also for external antenna and ground.



- WHEN FINISHED WITH STRINGING, SPRING MUST BE 1/2" FROM IDLER AS SHOWN. TO DO THIS:
 ① LOOSEN SET SCREW ON PULLEY.
 ② HOLD TUNING SHAFT FIRM IN POSITION INDICATED AND TURN PULLEY BY HAND UNTIL SPRING IS 1/2" AWAY FROM IDLER.
 ③ TIGHTEN SET SCREW. NOW SPRING SHOULD TRAVEL BACK AND FORTH WITHOUT TOUCHING THE IDLERS.
 ④ REPLACE CHASSIS IN CABINET. REPLACE POINTER ON CARRIAGE. TUNE IN STATION OF KNOWN FREQUENCY. HOLD TUNING SHAFT FIRM AND SLIDE POINTER TO CORRECT POSITION ALONG DIAL.
 ⑤ GLUE POINTER TO STRING.

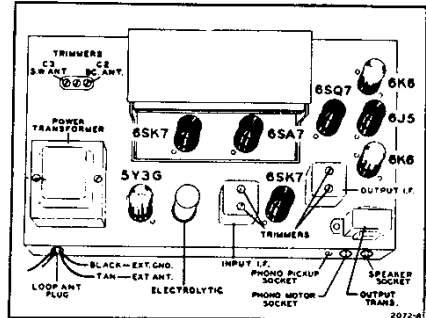
2074

Coils and Trimmers



2072

Replacement of Drive Cord



2072a

ALIGNMENT PROCEDURE CHASSIS VIEW

Mechanical Adjustment—The core tuning bar (see illustration of iron cores) and dial pointer must be adjusted mechanically before any electrical alignment is attempted. Rotate the manual tuning control until the core bar is farthest from the coils. For proper adjustment the bar should be approximately 1/32 of an inch from the two rod guide angles.

With the core bar in this position, adjust the dial pointer to coincide with 1,600 kc. on the dial scale.

Rotate each of the three broadcast coils (see illustration) until the end of the coil is 1-5/32 inches from the end of the coil form. Rotate the three 9-mc. coils until this dimension is 1-1/16 inches from these coils. After these adjustments have been made, the unit can be aligned electrically.

Electrical Adjustment—To align the set make the following preliminary adjustments: Set the lone pushbutton for treble tone; set the volume control at maximum; connect the ground post of the signal generator to the radio chassis; connect the output meter across a 3.2 ohm output load; and allow the receiver and signal generator to warm up for several minutes. Align the set according to the sequence given in the chart. The indicated dummy antenna is to be connected in series between the signal generator output lead and the receiver. Adjust the set for maximum output; reduce the input as needed to keep the output near 1.3 volts.

Locations of all the trimmers and coils are shown in the illustrations. After adjustment, seat the coil cores with collodion or a similar substance (do not use cement).

BAND SWITCH SETTING	Frequency	SIGNAL GENERATOR Coupling Capacitor	Connection to Radio	Dial POINTER SETTING	ADJUST TO MAXIMUM OUTPUT (in order shown)
Broadcast (for I.F.)	455 kc.	.1 mf.	Grid (Pin 8) of converter (6SA7)	1,600 kc.	Trimmers on output and input I.F. cans
Broadcast	1,600 kc.	200 mmf.	Antenna lead	1,600 kc.	BC Osc. trimmer C15 BC R.F. trimmer C8 BC Ant. trimmer C2
	1,400 kc.	200 mmf.	Antenna lead	1,400 kc.	Rotate cores of BC R.F. coil T7 and BC Ant. coil T1
31 Meter	9.6 mc.	400 ohms	Antenna lead	9.6 mc.	9 mc. Osc. trimmer C14 9 mc. R.F. trimmer C94 9 mc. Ant. trimmer C3
49 Meter	6.1 mc.	400 ohms	Antenna lead	6.1 mc.	6 mc. Osc. coil T14 6 mc. R.F. coil T10 6 mc. Ant. coil T4
25 Meter	11.8 mc.	400 ohms	Antenna lead	11.8 mc.	12 mc. Osc. coil T13 12 mc. R.F. coil T8 12 mc. Ant. coil T2
19 Meter	15.2 mc.	400 ohms	Antenna lead	15.2 mc.	15 mc. Osc. coil T12 15 mc. R.F. coil T9 15 mc. Ant. coil T3

GAMBLE-SKOGMO, INC.

MODELS 43-7651,
43-7652

Ref. No.	Part No.	Description	Ref. No.	Part No.	Description
MAIN CHASSIS					
CAPACITORS*					
C16	C-8F3-12	470 mmf, 20%, mica	T17	108176	Output IF coil complete in can (Range of trimmers: 80-140 mmf)
C17, C19	C-8D-10774	.02 mf, 400 volts, 20%	T18	B-12C-10234	Output transformer
C18	C-8D-10771	.1 mf, 200 volts, +20%—10%	T20	104202B	Power transformer
C20-A	129165B	Dual, 50 mmf each section, mica, 20%	SOCKETS		
C21	C-8D-10813	.05 mf, 400 volts, 20%	121200		Socket, 4-terminal, for loop antenna
C22	C-8D-10935	.005 mf, 600 volts, +40%—15%	121279		Socket, 5-terminal, for tuner
C23	C-8F3-10	220 mmf, 20%, mica	A-15B-11538		Socket, 4-terminal, for speaker
C24	C-8D-10770	.05 mf, 200 volts, 20%	121280		Socket, 1-terminal, for phono pick-up
C25	C-8D-10788	.004 mf, 600 volts, 20%	121199		Socket, 2-terminal, for phono motor
C27	C-8D-10992	.03 mf, 200 volts, 20%	121210		Socket, octal, molded (all tubes except 6SK7, IF amp.)
C28	C-8D-10785	.006 mf, 600 volts, 20%	121273		Socket, octal, laminated (for 6SK7, IF amplifier)
C29-A, -B, -C	119109	Electrolytic, 15 mf x 450 volts, 15 mf x 450 volts, 10 mf x 350 volts	B-47A-10808		Socket assembly for dial light
C30, C31	C-8J-11321	.02 mf, 600 volts, 20%	MISCELLANEOUS		
RESISTORS*			T19	B-18B-10617	Speaker, 10-inch, electrodynamic
R7, R8	C-9B1-21	22,000 ohms, 1/2 watt, 20%	A-19A-11539		Plug on speaker leads
R9	C-9B1-59	560 ohms, 1/2 watt, 10%	A-14MA-11066-3		Loop antenna (ribbon only)
R10	C-9B1-23	47,000 ohms, 1/2 watt, 20%	A-16A-11113		Choke on loop terminal board
R11	C-9B1-34	3.3 megohms, 1/2 watt, 20%	A-19A-11322		Plug on loop antenna leads
R12, S3	125180	Tone control (1 megohm) and radio-phonograph switch	107401		Phono motor cable assembly
R13	C-9B1-27	220,000 ohms, 1/2 watt, 20%	10724		Connector, for phono pickup leads
R14, R17	C-9B1-86	100,000 ohms, 1/2 watt, 10%	B-6D-10984		Dial scale
R15	C-9B1-31	1 megohm, 1/2 watt, 20%	10794		Dial light, 6-8 volts, type T-44 (2 used)
R16	C-9B1-70	4700 ohms, 1/2 watt, 10%	B-2G-10588-1		Dial pointer
R18, R19	C-9B1-29	470,000 ohms, 1/2 watt, 20%	A-2J-11041		Pointer spring
R20	C-9B2-56	330 ohms, 1 watt, 10%	1121035		Pointer carriage
R21	10662	12,500 ohms, 3 watts, 10%	B-53A-10989		String for dial pointer
R23	C-9B1-20	15,000 ohms, 1/2 watt, 20%	120377		Spring for dial pointer string
R24, S4	A-10A-10586	Volume control (500,000 ohms) and on-off switch	107266		Line cord and plug (9 feet)
R25	C-9B1-35	4.7 megohms, 1/2 watt, 20%	112985-14		Escutcheon (for walnut cabinet)
COILS AND TRANSFORMERS			112985-41		Escutcheon (for mahogany cabinet)
T16	108177	Input IF coil complete in can (Range of trimmers: 110-210 mmf)	A-5B-10893-14		Knob, band switch or radio-phonotone (for walnut cabinet)
REMOVABLE TUNER ASSEMBLY			A-5B-10893-41		Knob, band switch or radio-phonotone (for mahogany cabinet)
CAPACITORS			128523-14		Knob, tuning or volume (for walnut cabinet)
C1	B-8F-10767	.002 mf, 500 volts, 10%, mica	128523-41		Knob, tuning or volume (for mahogany cabinet)
C2, C3	124143	Dual, broadcast (67-123 mmf) and 9 mc (95-175 mmf) ant. trimmers	A-2L-11293		Bandswitch link
C4, C10	B-8F3-121	470 mmf, 500 volts, 10%, mica	112961		Station call letters
C5	C-8D-10771	.1 mf, 200 volts, +20%—10%	T6	10959	9-mc RF coil
C6, C11	C-8D-10760	.1 mf, 400 volts, +20%—10%	T7	10962	Broadcast RF coil
C7	B-8F5-101	10 mmf, 500 volts, 10%, silver mica	T8	10960	12-mc RF coil
C8	A-8G-7205	Broadcast RF trimmer (120-220 mmf)	T9	10961	15-mc RF coil
C9	A-8G-7206	9 mc RF trimmer (60-110 mmf)	T10	10958	6-mc RF coil
C12	B-8F3-109	47 mmf, 500 volts, 10%, mica	T11	110157	9-mc oscillator coil
C13	B-8F-10763	200 mmf, 500 volts, 3%, silver mica	T12	110159	15-mc oscillator coil
C14	124145	9 mc oscillator trimmer (7-35 mmf)	T13	110158	12-mc oscillator coil
C15	124144	Broadcast oscillator trimmer (15-27 mmf)	T14	110156	6-mc oscillator coil
RESISTORS			T15	110161	Broadcast oscillator coil
R1, R4	C-9B1-31	1 megohm, 1/2 watt, 20%	MISCELLANEOUS		
R2	C-9B1-55	270 ohms, 1/2 watt, 10%	S1	B-20A-10964	Band switch, antenna
R3	C-9B1-70	4700 ohms, 1/2 watt, 10%	S2	B-20A-10965	Band switch, oscillator and RF
R5	C-9B1-46	47 ohms, 1/2 watt, 10%	121210		Socket, molded, for 6SA7
R6	C-9B1-79	27,000 ohms, 1/2 watt, 10%	121171		Socket, laminated, for 6SK7GT
COILS (complete with cores)			117907		Tuning shaft
T1	111195	Broadcast antenna coil	117798		Pinion gear on tuning shaft
T2	111191	12-mc antenna coil	120393		Spring, intermediate link, under ends of treadle bar
T3	111192	15-mc antenna coil	131251		Washer, "C," on slug tuning bar
T4	111189	6-mc antenna coil	B-2C-7245		Gear segment
T5	111190	9-mc antenna coil	A-2J-7439		Spring clip, for coils
			131316B		Washer "C", for 9-mc coils
			134134		Grommet for core mounting (all broadcast and 9-mc coils)
			134126		Grommet for coil mounting (broadcast RF and antenna coils)
			134125		Grommet for coil mounting (broadcast oscillator coil)
			A-25A-7619		Grommet for all 9-mc coils
			B-202-10475		Pushrod assembly
			120366		Spring, pushrod return
			121281		Plug, 5-prong
			128759-14		Pushbutton, walnut
			128759-41		Pushbutton, mahogany
			131210		Washer, "C", on end plate