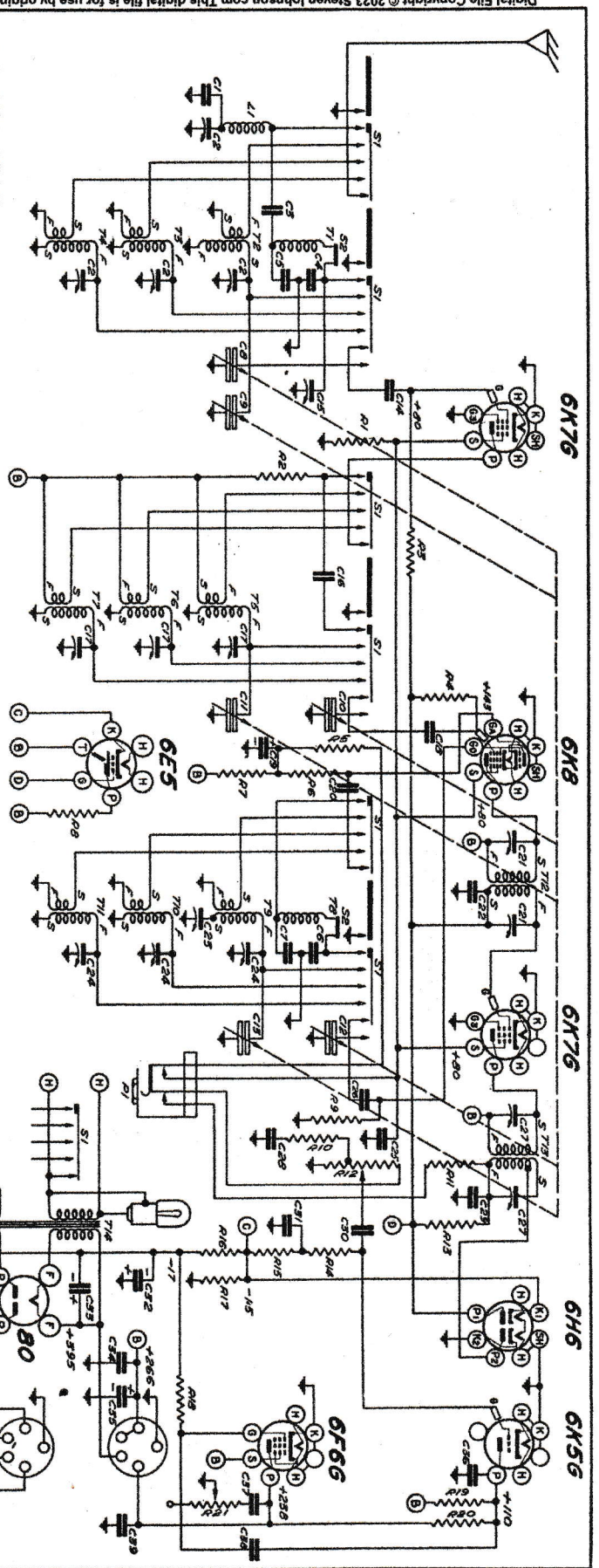


28A83X-E



AC FREQ. 456 K.C.

CONDENSERS		CONDENSERS		RESISTORS		COILS	
PART NO.	DESCRIPTION	PART NO.	DESCRIPTION	PART NO.	DESCRIPTION	PART NO.	DESCRIPTION
C1	50 MMFD. 50 V. MICA	R1	40,000 Ω	T1	AUTOMATIC ANTENNA COILS	S1	ON-OFF SWITCH
C2	50 MMFD. 50 V. MICA	R2	500,000 Ω	T2	500 Ω	S2	ON-OFF SWITCH
C3	50 MMFD. 50 V. MICA	R3	500,000 Ω	T3	500 Ω	S3	ON-OFF SWITCH
C4	50 MMFD. 50 V. MICA	R4	500,000 Ω	T4	500 Ω	S4	ON-OFF SWITCH
C5	50 MMFD. 50 V. MICA	R5	500,000 Ω	T5	500 Ω	S5	ON-OFF SWITCH
C6	50 MMFD. 50 V. MICA	R6	500,000 Ω	T6	500 Ω		
C7	50 MMFD. 50 V. MICA	R7	500,000 Ω	T7	500 Ω		
C8	50 MMFD. 50 V. MICA	R8	500,000 Ω	T8	500 Ω		
C9	50 MMFD. 50 V. MICA	R9	500,000 Ω	T9	500 Ω		
C10	50 MMFD. 50 V. MICA	R10	500,000 Ω	T10	500 Ω		
C11	50 MMFD. 50 V. MICA	R11	500,000 Ω	T11	500 Ω		
C12	50 MMFD. 50 V. MICA	R12	500,000 Ω	T12	500 Ω		
C13	50 MMFD. 50 V. MICA	R13	500,000 Ω	T13	500 Ω		
C14	50 MMFD. 50 V. MICA	R14	500,000 Ω	T14	500 Ω		
C15	50 MMFD. 50 V. MICA	R15	500,000 Ω	T15	500 Ω		
C16	50 MMFD. 50 V. MICA	R16	500,000 Ω	T16	500 Ω		
C17	50 MMFD. 50 V. MICA	R17	500,000 Ω	T17	500 Ω		
C18	50 MMFD. 50 V. MICA	R18	500,000 Ω	T18	500 Ω		
C19	50 MMFD. 50 V. MICA	R19	500,000 Ω	T19	500 Ω		
C20	50 MMFD. 50 V. MICA	R20	500,000 Ω	T20	500 Ω		
C21	50 MMFD. 50 V. MICA	R21	500,000 Ω	T21	500 Ω		
C22	50 MMFD. 50 V. MICA	R22	500,000 Ω	T22	500 Ω		
C23	50 MMFD. 50 V. MICA	R23	500,000 Ω	T23	500 Ω		
C24	50 MMFD. 50 V. MICA	R24	500,000 Ω	T24	500 Ω		
C25	50 MMFD. 50 V. MICA	R25	500,000 Ω	T25	500 Ω		
C26	50 MMFD. 50 V. MICA	R26	500,000 Ω	T26	500 Ω		
C27	50 MMFD. 50 V. MICA	R27	500,000 Ω	T27	500 Ω		

CHANGES

NO.	DATE	BY

SWITCHES

- S1: ON-OFF SWITCH
- S2: ON-OFF SWITCH
- S3: ON-OFF SWITCH
- S4: ON-OFF SWITCH
- S5: ON-OFF SWITCH

WINDING POLARITY

- * DENOTES START OF WINDING
- † DENOTES FINISH OF WINDING

DOMINION ELECTROHOME INDUSTRIES LIMITED CANADA

TITLE WIRING DIAGRAM MODEL 9485T.

DATE SEPT 25/56
 DRAWN BY [Signature]
 CHECKED BY [Signature]
 ELECTRICAL APPROVAL [Signature]
 PART NO. J-739

R4 WAS CHANGED FROM 500,000 OHMS TO 100,000 OHMS.