

R.C.A. Victor Co., Inc.

Model: VICTOR RADIOLA 17

Chassis:

Year: Pre 1932

Power:

Circuit:

IF:

Tubes:

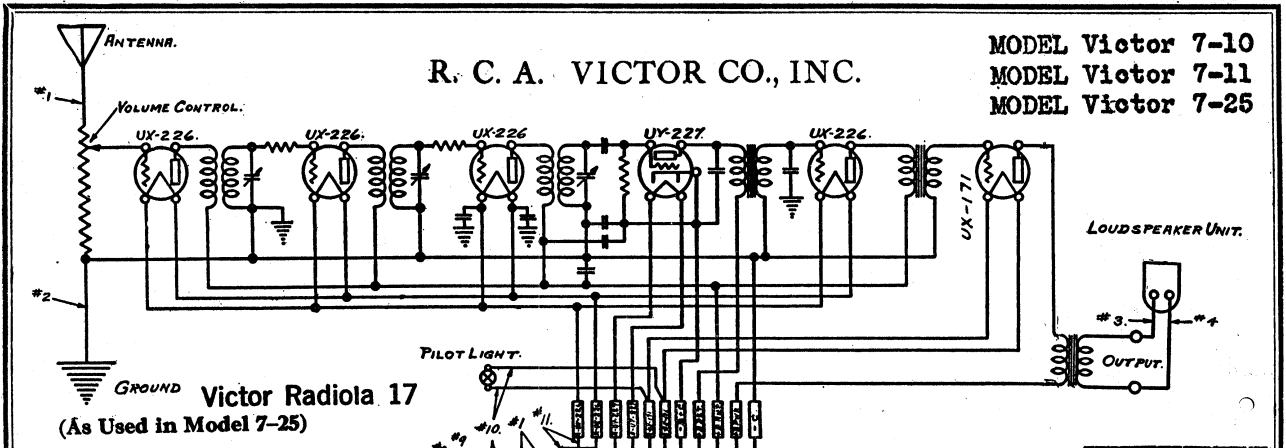
Bands:

Resources

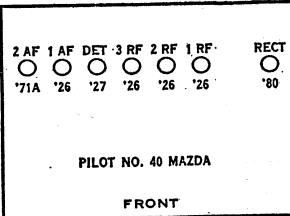
Riders Volume 1 - R. C. A. 1-59

R. C. A. VICTOR CO., INC.

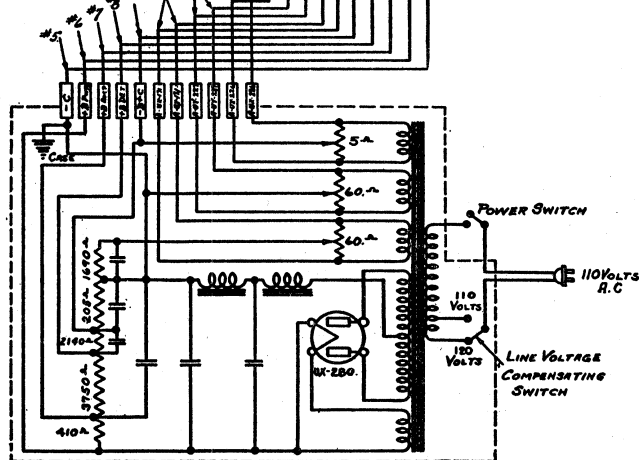
MODEL Victor 7-10
 MODEL Victor 7-11
 MODEL Victor 7-25



Models Victors 7-25.

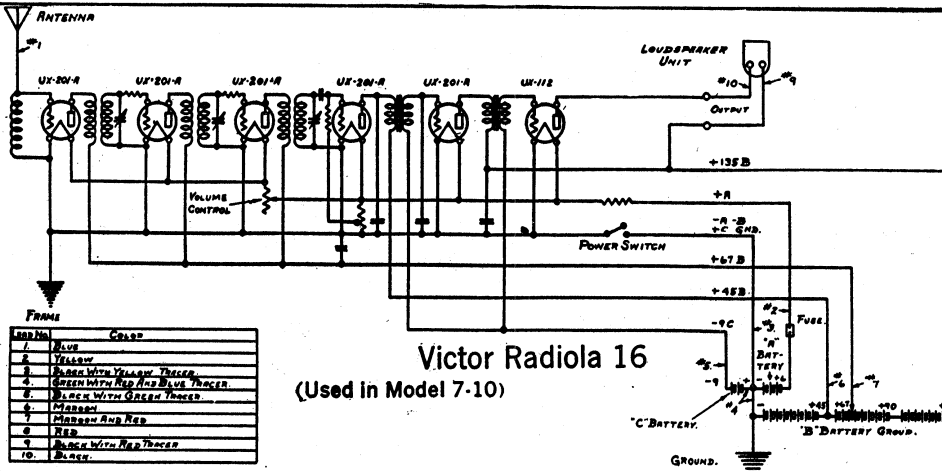


Lead No.	COLOR.
1	BLUE
2	BLACK WITH BLUE TRACER
3	BLACK
4	BLACK WITH RED TRACER
5	BLACK WITH GREEN TRACER
6	RED
7	RED AND MAROON
8	MAROON
9	GREEN WITH RED TRACER
10	GREEN
11	BLACK WITH YELLOW TRACER



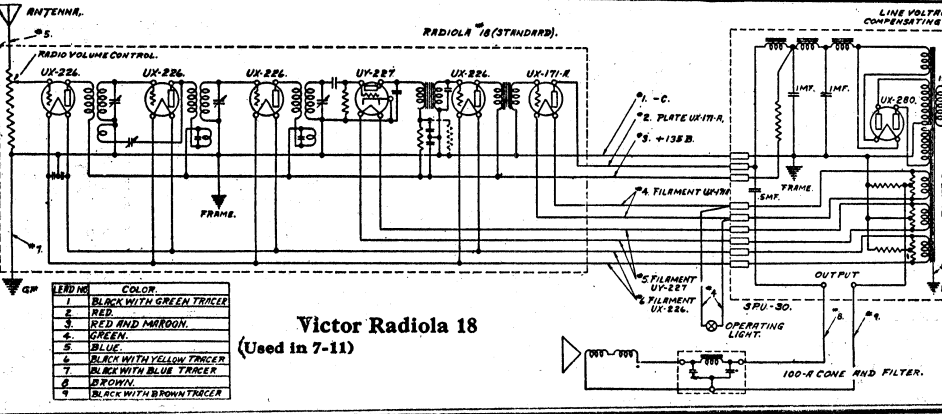
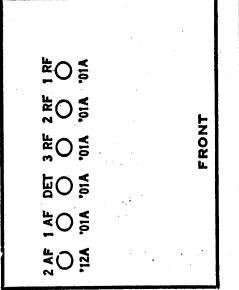
VICTOR—Models 9-16, 7-26, 7-11
 Line Voltage 112—120 Volt Tap—Volume Control Full

TUBE NO. IN SOCKET OF SET	TYPE OF TUBE	POSITION OF 1ST. PIN, DET. ETC.	TUBE OUT		TUBE IN TESTER		REQUIRE PLUG IN SOCKET OF SET			
			VOLTS	MA	VOLTS	MA	CATHODE	PLATE		
1	226	1st. R.F.	1.4	125	1.3	122	8	4.5	8.5	4.0
2	226	2nd. R.F.	1.4	125	1.3	122	8	4.5	8.5	4.0
3	226	3rd. R.F.	1.4	125	1.3	122	8	4.5	8.5	4.0
4	227	Detector	2.4	125	2.2	22	0	3.0	3.1	1.1
5	226	1st. A.F.	1.4	125	1.3	120	8	4.0	7.8	3.8
6	171A	2nd. A.F.	4.5	200	4.7	132	30	16.0	18.0	2.0
7	280	Rectifier	-	-	-	-	-	-	20.0	-



Lead No.	COLOR
1	BLUE
2	YELLOW
3	BLACK WITH YELLOW TRACER
4	GREEN WITH RED AND BLUE TRACER
5	BLACK WITH GREEN TRACER
6	MAROON
7	MAROON AND RED
8	RED
9	BLACK WITH RED TRACER
10	BLACK

Models Victors R16, 7-10 (1925)



Lead No.	COLOR.
1	BLACK WITH GREEN TRACER
2	RED
3	RED AND MAROON
4	GREEN
5	BLUE
6	BLACK WITH YELLOW TRACER
7	BLACK WITH BLUE TRACER
8	BROWN
9	BLACK WITH BROWN TRACER

Models Victor 7-11.

